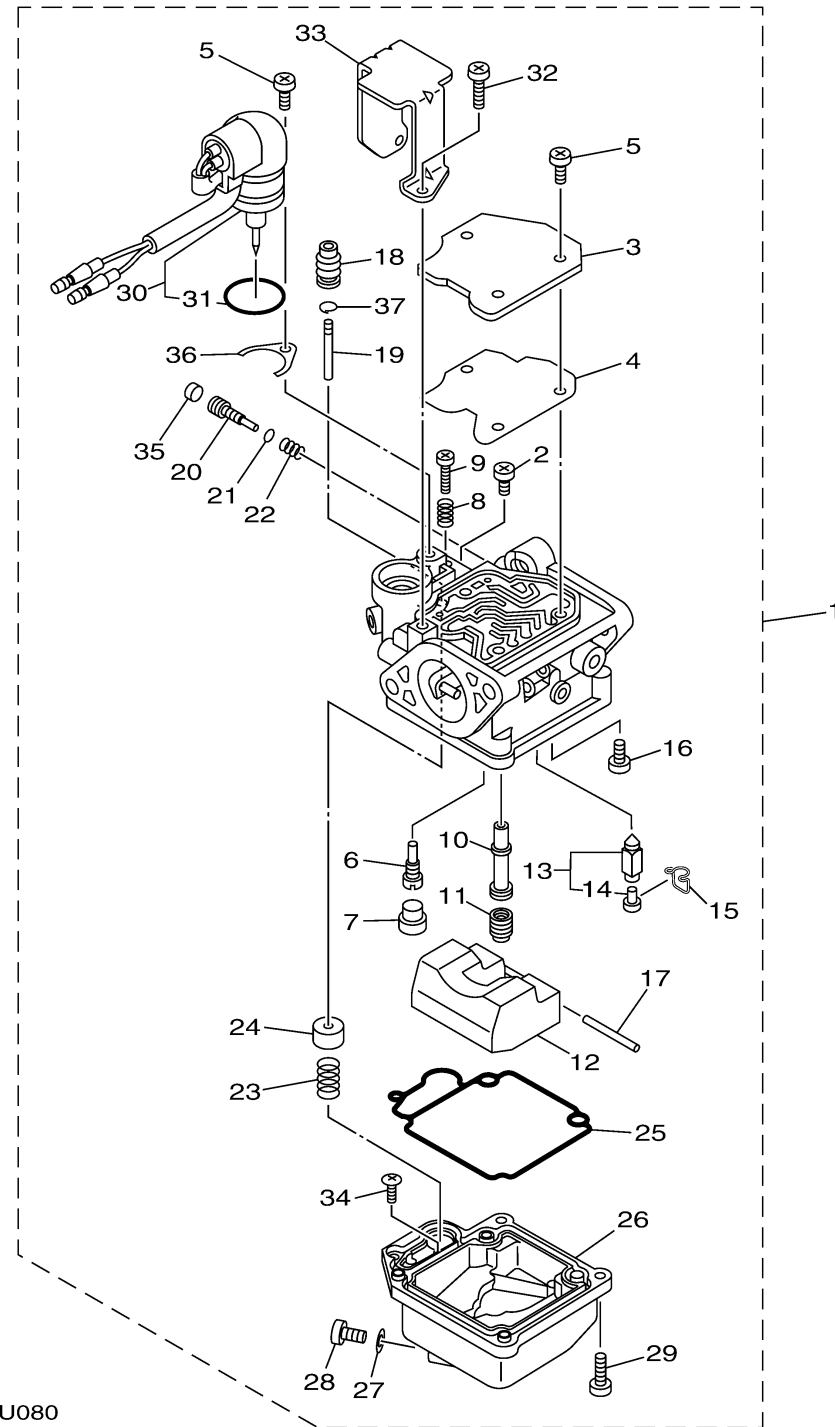


CARBURETOR



| Ref No. | Part Number | Description | Qty | Remarks |
|---------|-----------------|-----------------------|-----|------------------|
| 1 | 6AG-14301-A6-00 | CARBURETOR ASSY 1 | 1 | |
| 1 | 6AG-14301-E6-00 | CARBURETOR ASSY 1 | 0 | |
| 2 | 98580-04006-00 | ..SCREW, PAN HEAD | 1 | |
| 3 | 65W-14572-00-00 | ..PLATE | 1 | |
| 4 | 65W-14126-10-00 | ..GASKET | 1 | |
| 5 | 65L-14565-00-00 | ..SCREW | 4 | |
| 6 | 6AG-14948-02-00 | ..JET (#38) | 1 | FOR 6AG-14301-A6 |
| 6 | 6AH-14948-02-00 | ..JET (#38) | 0 | FOR 6AG-14301-E6 |
| 7 | 679-14966-00-00 | ..RUBBER CAP | 1 | |
| 8 | 90501-10326-00 | ..SPRING, COMPRESSION | 1 | |
| 9 | 63V-14523-00-00 | ..SCREW, STOP | 1 | |
| 10 | 6AH-14947-10-00 | ..JET, NEEDLE | 1 | |
| 11 | 676-14943-19-00 | ..JET, MAIN (#80) | 1 | |
| 12 | 6AH-14985-00-00 | ..FLOAT | 1 | |
| 13 | 6AH-W1456-10-00 | ..VALVE, NEEDLE | 1 | |
| 14 | 676-14186-00-00 | ...PIN, FLOAT | 1 | |
| 15 | 633-14159-00-00 | ..CLIP | 1 | |
| 16 | 98580-04008-00 | ..SCREW, PAN HEAD | 1 | |
| 17 | 6H4-14548-00-00 | ..PIN, FLOAT ARM | 1 | |
| 18 | 65W-14373-02-00 | ..COVER, PLUNGER CAP | 1 | |

CONTINUED ON NEXT FRAME >

CARBURETOR

| Ref No. | Part Number | Description | Qty | Remarks |
|---------|-----------------|-------------------------|-----|------------------|
| 19 | 6AH-14379-00-00 | ..ROD, STARTER | 1 | |
| 20 | 6AH-14923-01-00 | ..SCREW, PILOT | 1 | |
| 21 | 67F-14398-10-00 | ..O-RING | 1 | |
| 22 | 67C-14555-00-00 | ..SPRING | 1 | |
| 23 | 65W-14335-00-00 | ..SPRING, PLUNGER | 1 | |
| 24 | 6AG-14371-00-00 | ..PLUNGER, STARTER | 1 | |
| 25 | 6AH-14384-00-00 | ..GASKET, FLOAT CHAMBER | 1 | |
| 26 | 6AH-14980-03-00 | ..BODY, FLOAT CHAMBER | 1 | |
| 27 | 65W-14398-00-00 | ..GASKET | 1 | |
| 28 | 65W-14992-09-00 | ..SCREW, DRAIN | 1 | |
| 29 | 97980-04114-00 | ..SCREW, WITH WASHER | 4 | |
| 30 | 6AH-14380-03-00 | ..PRIME STARTER ASSY | 1 | FOR 6AG-14301-A6 |
| 30 | 6AH-14380-13-00 | ..PRIME STARTER ASSY | 0 | FOR 6AG-14301-E6 |
| 31 | 5ML-E4854-00-00 | ...O-RING | 1 | |
| 32 | 97980-04108-00 | ..SCREW, WITH WASHER | 2 | |
| 33 | 6AH-14346-00-00 | ..PLATE | 1 | |
| 34 | 67C-14567-00-00 | ..SCREW | 1 | |
| 35 | 67C-1432A-01-00 | ..PLUG | 1 | |
| 36 | 65W-14346-00-00 | ..PLATE | 1 | |
| 37 | 65W-1439G-00-00 | ..CLIP 1 | 1 | |

