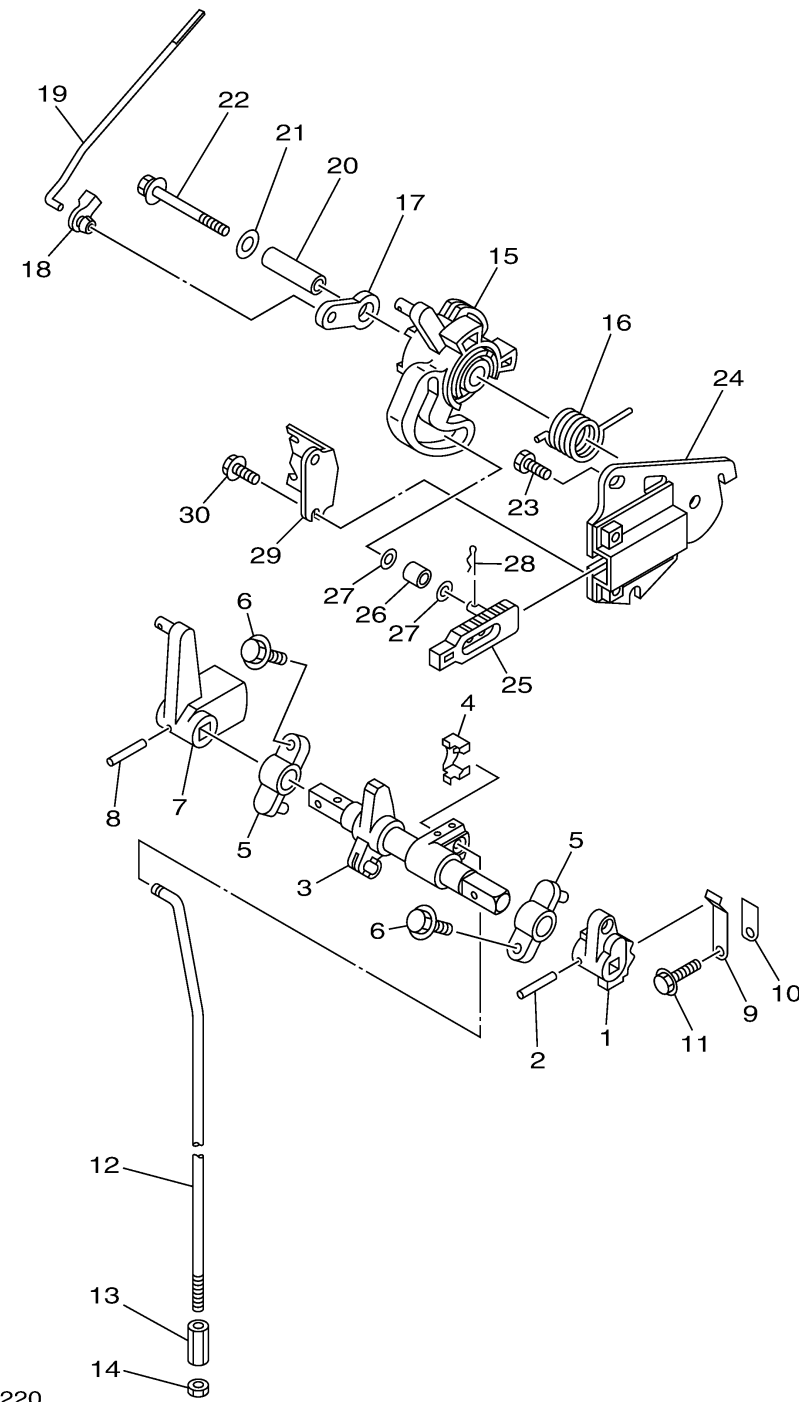


CONTROL



Ref No.	Part Number	Description	Qty	Remarks
1	6AH-44123-00-00	ARM, SHIFT ROD	1	
2	90254-03M05-00	PIN, SPRING	1	
3	6AH-44121-01-00	LEVER, SHIFT ROD	1	
4	6AH-26364-00-00	END, CABLE 2	1	
5	6G1-41662-01-94	BRACKET 2	2	
6	97E95-06520-00	BOLT, HEXAGON W/W DEEP RECESS	2	
7	6AH-44125-00-00	LEVER, SHIFT ROD	1	
8	90254-03M05-00	PIN, SPRING	1	
9	65W-44116-00-00	SPRING	1	
10	66R-44114-00-00	STOPPER	1	
11	95D95-06014-00	BOLT, FLANGE DEEP RECESS	1	
12	6AH-44143-00-00	ROD, SHIFT 1	1	S(17.1")
12	6AH-44143-10-00	ROD, SHIFT 1	0	L(22.1")
13	90170-06015-00	NUT	1	
14	95380-06700-00	NUT	1	
15	6AH-41638-00-00	PULLEY	1	
16	90508-20M44-00	SPRING, TORSION	1	
17	65W-41283-00-00	LEVER, FREE ACCEL.	1	
18	6J8-41262-00-00	JOINT, CHOKE LEVER	1	
19	6AH-41211-00-00	LINK, ACCEL.	1	

CONTINUED ON NEXT FRAME >

CONTROL

Ref No.	Part Number	Description	Qty	Remarks
20	90387-06139-00	COLLAR	1	
21	90201-06M31-00	WASHER, PLATE	1	
22	97E95-06555-00	BOLT, HEXAGON W/W DEEP RECESS	1	
23	97D95-06014-00	BOLT, HEXAGON DEEP RECESS	2	
24	6AH-14571-00-00	BRACKET, THROTTLE	1	
25	6AH-44167-10-00	PLUNGER, SHIFT CAM	1	
26	62Y-42171-00-00	BUSHING	1	
27	90201-05M04-00	WASHER, PLATE	2	
28	90468-10005-00	CLIP	1	
29	6AH-14497-00-00	STAY, THROTTLE WIRE	1	
30	97E95-06514-00	BOLT, HEXAGON W/W DEEP RECESS	2	

