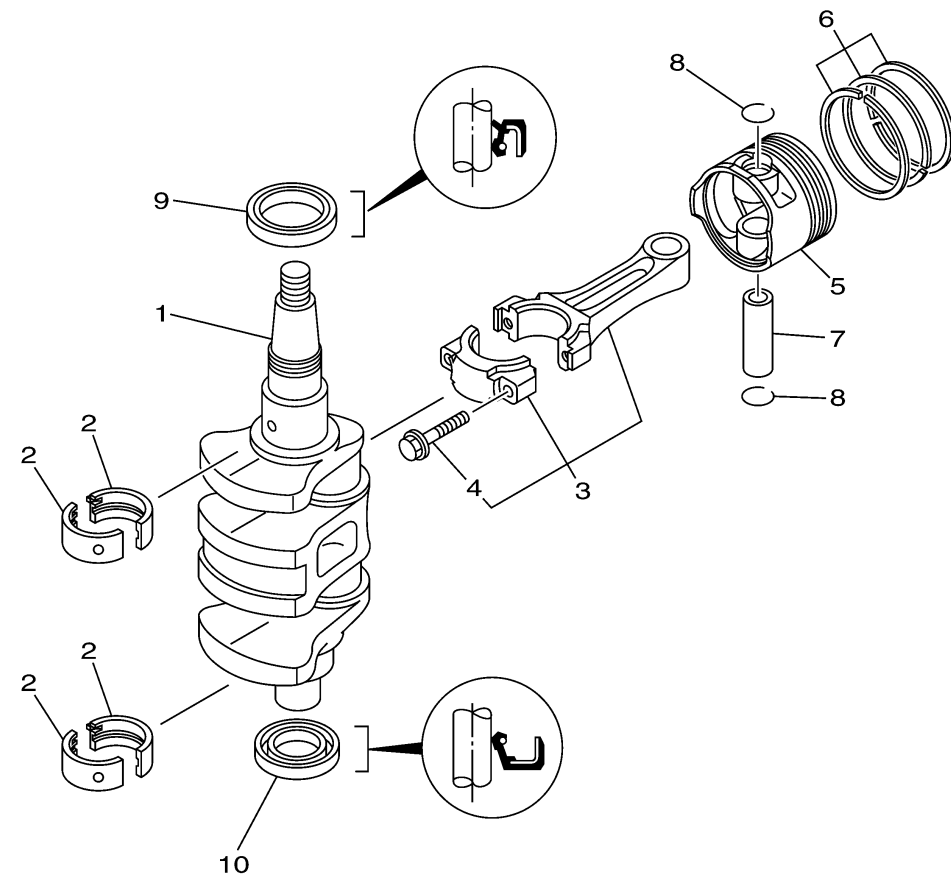


CRANKSHAFT PISTON



Ref No.	Part Number	Description	Qty	Remarks
1	6AH-11411-00-00	CRANKSHAFT	1	
2	6AH-11416-00-00	PLANE BEARING, CRANKSHAFT 1	4	UR BROWN
2	6AH-11416-10-00	PLANE BEARING, CRANKSHAFT 1	4	UR BLACK
2	6AH-11416-20-00	PLANE BEARING, CRANKSHAFT 1	4	UR BLUE
3	6AH-11650-10-00	CONNECTING ROD ASSY	2	
4	6AH-11654-00-00	. .BOLT, CONNECTING ROD	2	
5	6AH-11631-00-00	PISTON (STD)	2	
5	6AH-11635-00-00	PISTON (0.25MM O/S)	2	AP
5	6AH-11636-00-00	PISTON (0.50MM O/S)	2	AP
6	6AH-11603-00-00	PISTON RING SET (STD)	2	
6	6AH-11604-00-00	PISTON RING SET (0.25MM O/S)	2	AP
6	6AH-11605-00-00	PISTON RING SET (0.50MM O/S)	2	AP
7	137-11633-10-00	PIN, PISTON	2	
8	93450-17129-00	CIRCLIP	4	
9	93102-37004-00	.OIL SEAL	1	
10	93102-25014-00	.OIL SEAL	1	



6AH1100-F030