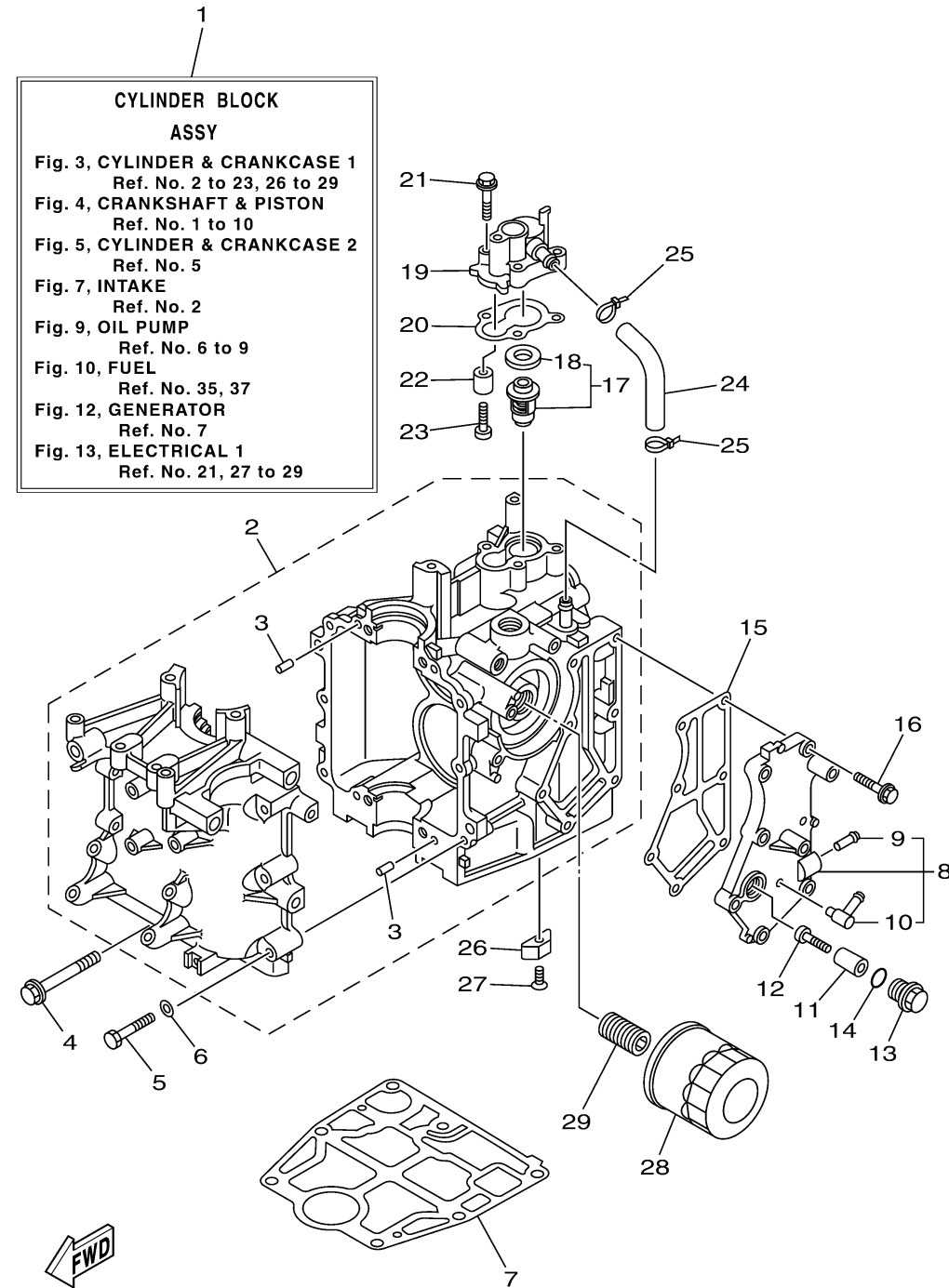


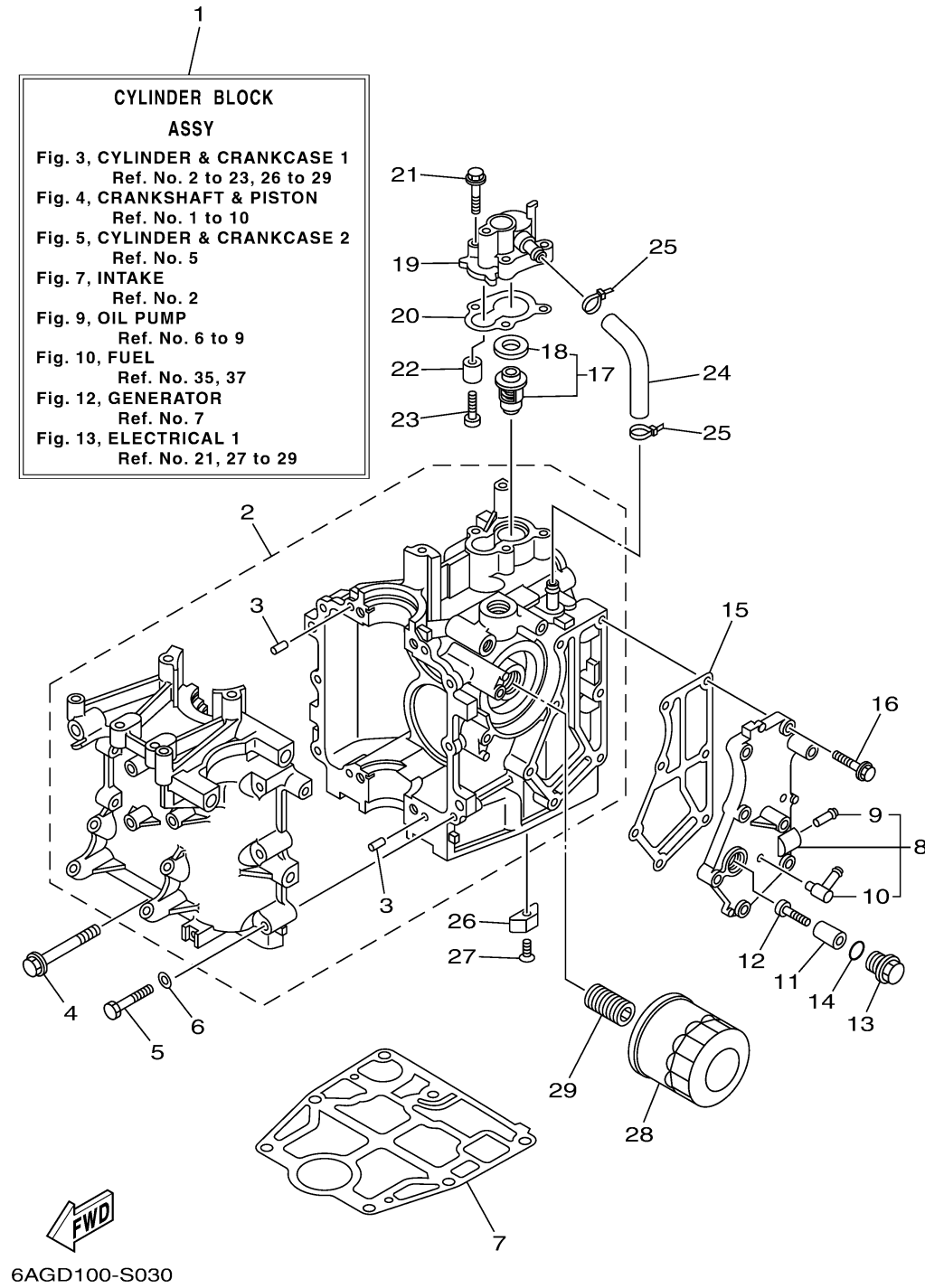
# CYLINDER CRANKCASE 1



Ref No.	Part Number	Description	Qty	Remarks
1	6AH-W009B-03-1S	CYLINDER BLOCK ASSY	1	
2	6AH-15100-01-00	CRANKCASE ASSY	1	
3	93606-12019-00	. PIN, DOWEL	4	
4	90119-08093-00	BOLT, WITH WASHER	4	
5	97013-06040-00	BOLT	6	
6	92903-06600-00	WASHER, PLATE	6	
7	6AH-11351-11-00	.GASKET, CYLINDER	1	
8	6AH-41113-01-1S	OUTER COVER, EXHAUST	1	
9	6E9-24378-00-00	. .PIPE, JOINT 3	1	
10	6H1-11372-00-00	. .NIPPLE, HOSE	1	
11	6G8-11325-00-00	ANODE	1	
12	98980-05025-00	SCREW, BIND	1	
13	6G8-11197-B0-00	PLUG, BLIND	1	
14	93210-13M63-00	.O-RING	1	
15	6AH-41114-00-00	.GASKET, EXHAUST OUTER COVER	1	
16	90119-06MA3-00	BOLT, WITH WASHER	7	
17	6AH-12411-00-00	THERMOSTAT	1	
18	688-12412-00-00	. .SEAL, THERMOSTAT	1	
19	6AH-12413-00-1S	COVER, THERMOSTAT	1	
20	6AH-12414-00-00	.GASKET, COVER	1	

CONTINUED ON NEXT FRAME >

# CYLINDER CRANKCASE 1



Ref No.	Part Number	Description	Qty	Remarks
21	90119-06MA3-00	BOLT, WITH WASHER	3	
22	6G8-11325-00-00	ANODE	1	
23	98980-05025-00	SCREW, BIND	1	
24	6AH-12481-00-00	PIPE 1	1	
25	90465-11M10-00	CLAMP	2	
26	6E5-11325-00-00	ANODE	1	
27	98780-04016-00	SCREW, FLAT HEAD	1	
28	5GH-13440-90-00	ELEMENT ASSY, OIL CLEANER	1	
29	6C5-12858-A0-00	BOLT, UNION	1	