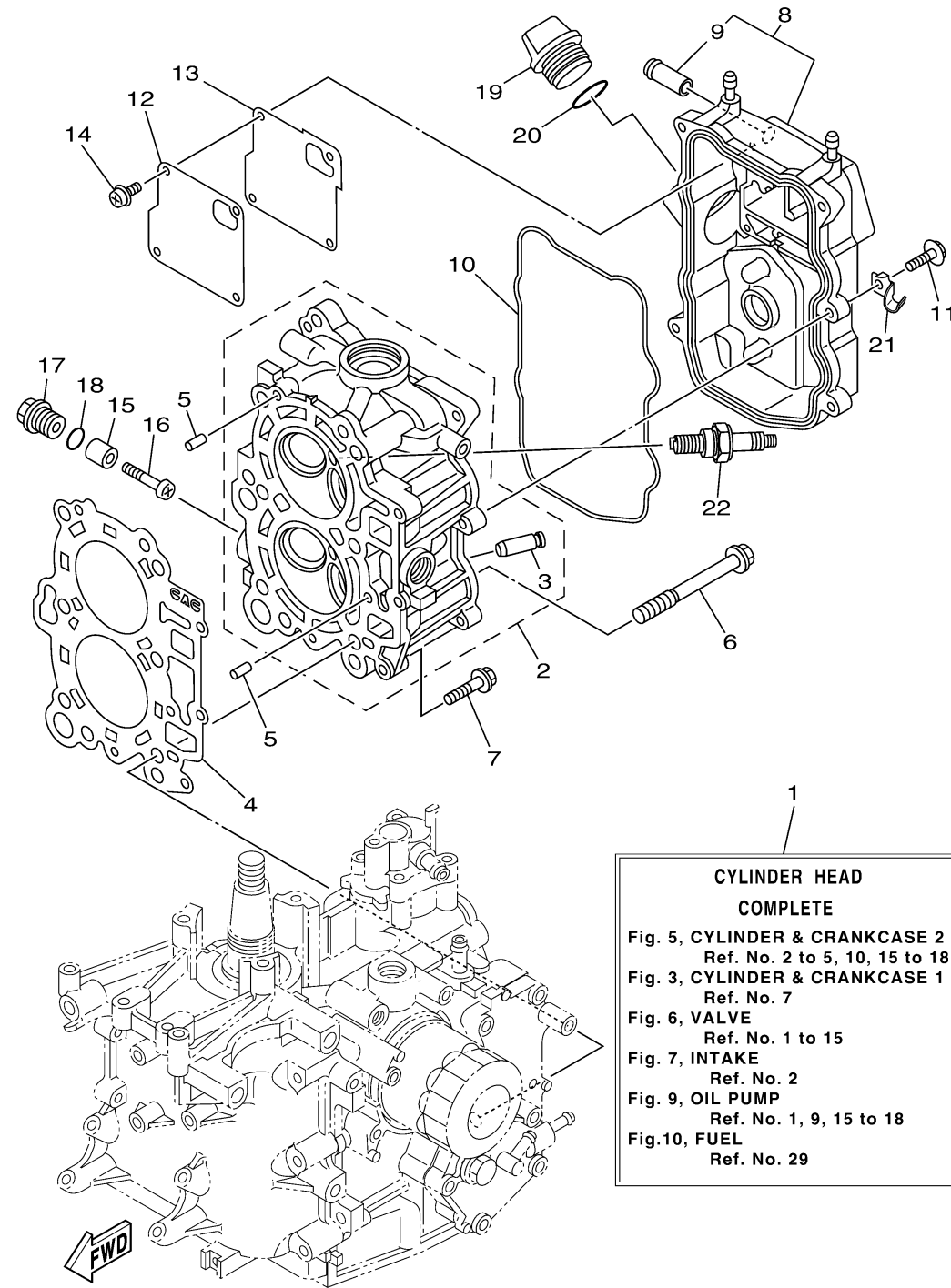


CYLINDER CRANKCASE 2



6AGD100-S050

Ref No.	Part Number	Description	Qty	Remarks
1	6AH-W009A-03-1S	CYLINDER HEAD COMPLETE	1	
2	6AH-11111-10-1S	HEAD, CYLINDER 1	1	
3	6AH-11133-10-00	. .GUIDE, VALVE 1	4	
4	6AG-11181-10-00	.GASKET, CYLINDER HEAD 1	1	
5	93606-12019-00	PIN, DOWEL	2	
6	90105-09006-00	BOLT, FLANGE	6	
7	90119-06MA3-00	BOLT, WITH WASHER	3	
8	6AH-11191-00-1S	COVER, CYLINDER HEAD 1	1	
9	6AH-11372-00-00	. .NIPPLE, HOSE	1	
10	6AH-11356-00-00	.SEAL, CYLINDER 2	1	
11	97E95-06520-00	BOLT, HEXAGON W/W DEEP RECESS	5	
12	6AH-11168-00-00	COVER, BREATHER	1	
13	6AH-11169-00-00	.GASKET, BREATHER COVER	1	
14	97607-04210-00	SCREW, WITH WASHER	4	
15	6G8-11325-00-00	ANODE	2	
16	98980-05025-00	SCREW, BIND	2	
17	6G8-11197-B0-00	PLUG, BLIND	2	
18	93210-13M63-00	.O-RING	2	
19	6G8-15363-00-00	PLUG, OIL	1	
20	93210-24M79-00	.O-RING	1	

CONTINUED ON NEXT FRAME >

CYLINDER CRANKCASE 2

Ref No.	Part Number	Description	Qty	Remarks
21	90465-08059-00	CLAMP	1	
22	DPR-6EB90-00-00	PLUG, SPARK (NGK DPR6EB-9)	2	

