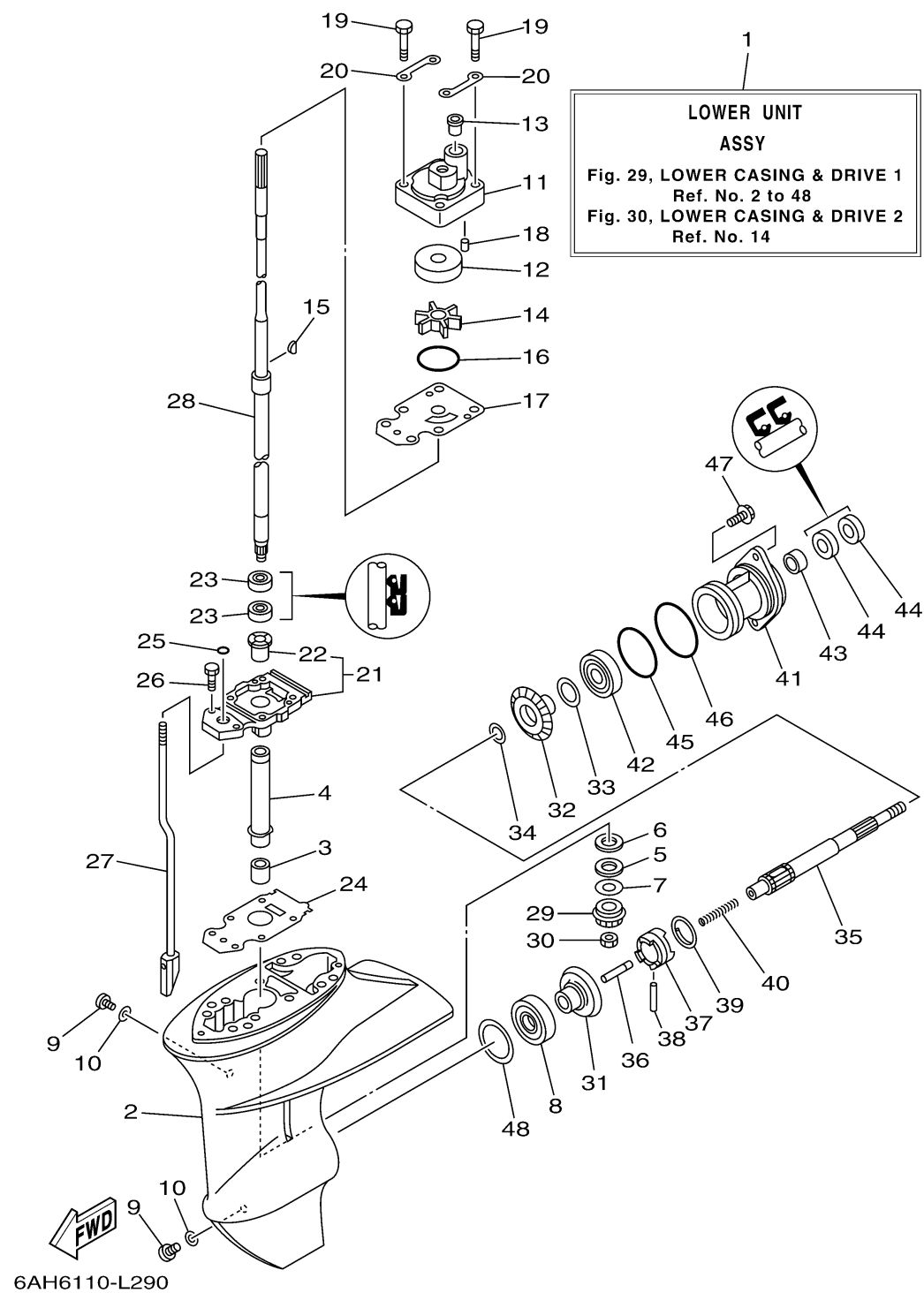


# LOWER CASING DRIVE 1

Ref No.	Part Number	Description	Qty	Remarks
1	6AH-45300-03-8D	LOWER UNIT ASSY	1	S(17.1")
1	6AH-45300-13-8D	LOWER UNIT ASSY	0	L(22.1")
2	6AH-45311-00-8D	CASING, LOWER	1	
3	93315-314V8-00	BEARING	1	
4	63V-45536-00-00	SLEEVE, DRIVE SHAFT	1	
5	90209-14011-00	WASHER	1	
6	90201-15017-00	WASHER, PLATE	1	
7	6E8-45587-10-00	SHIM (T:1.13MM)	1	UR
7	6E8-45587-30-00	SHIM (T:1.20MM)	1	UR
8	93332-00005-00	BEARING	1	
9	90340-08002-00	PLUG, STRAIGHT SCREW	2	
10	90430-08003-00	.GASKET	2	
11	6AH-44311-00-00	.HOUSING, WATER PUMP	1	
12	63V-44322-00-00	.INSERT, CARTRIDGE	1	
13	6L2-44367-01-00	.DAMPER, WATER SEAL 3	1	
14	63V-44352-01-00	.IMPELLER	1	
15	664-44338-00-00	.KEY, WOODRUFF	1	
16	93210-49046-00	.O-RING	1	
17	68T-44323-00-00	.OUTER PLATE, CARTRIDGE	1	
18	93604-12M07-00	PIN, DOWEL	2	

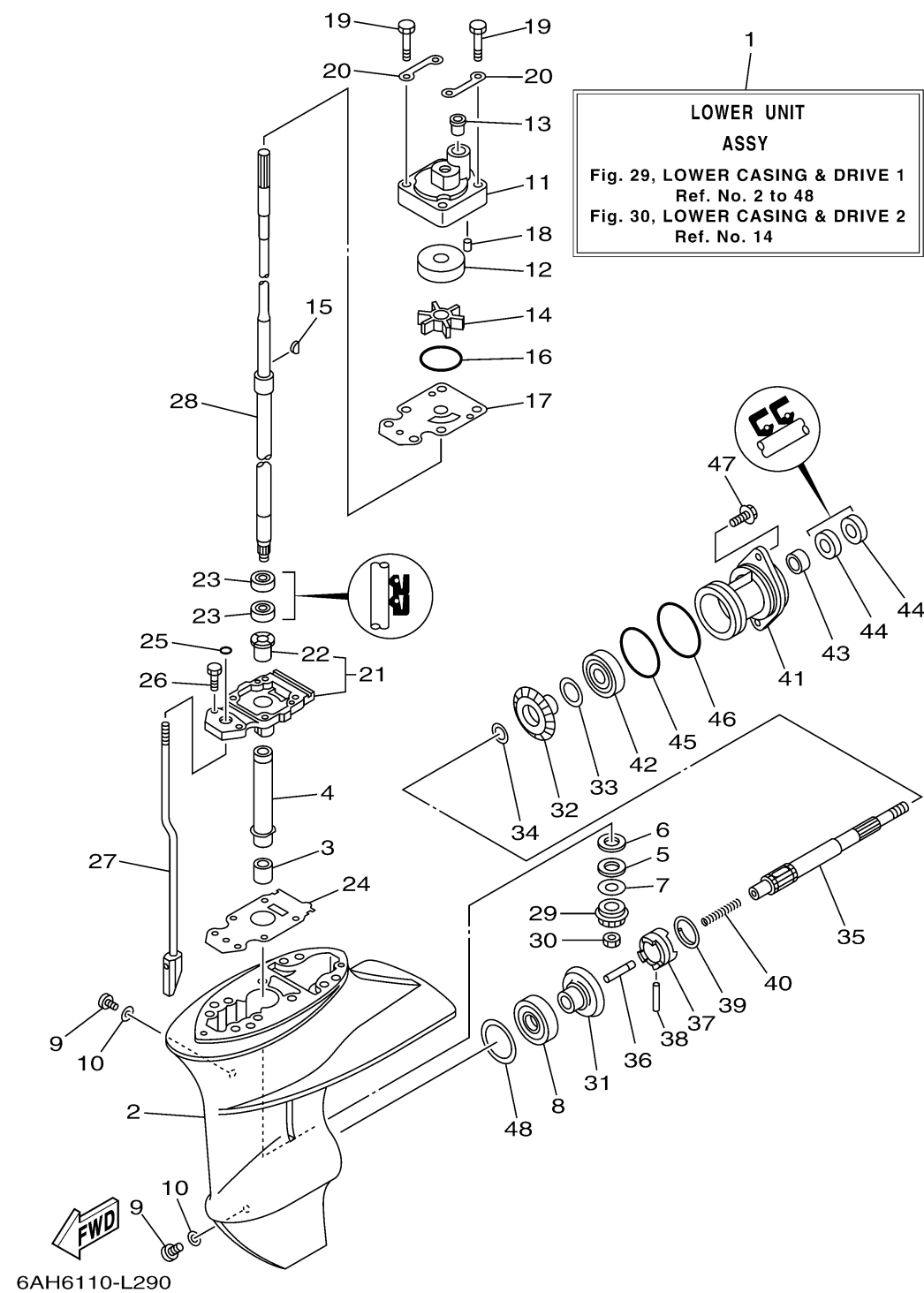
CONTINUED ON NEXT FRAME >



## LOWER CASING DRIVE 1

Ref No.	Part Number	Description	Qty	Remarks
19	97D95-08045-00	.BOLT, HEXAGON DEEP RECESS	4	
20	63V-44328-01-00	PLATE	2	
21	69G-45331-01-CA	HOUSING, BEARING	1	
22	626-45316-09-00	.BUSHING, DRIVE SHAFT	1	
23	93101-20001-00	.OIL SEAL	2	
24	69G-45315-A0-00	.PACKING, LOWER CASING	1	
25	93210-06ME6-00	.O-RING	1	
26	97080-08025-00	BOLT	2	
27	6AH-44150-01-00	SHIFT CAM ASSY	1	S(17.1")
27	6AH-44150-11-00	SHIFT CAM ASSY	0	L(22.1")
28	6AH-45510-00-00	DRIVE SHAFT ASSY	1	S(17.1")
28	6AH-45510-10-00	DRIVE SHAFT ASSY	0	L(22.1")
29	63V-45551-00-00	PINION (13T)	1	
30	90179-08M06-00	NUT	1	
31	6E7-45560-01-00	GEAR 1 (27T)	1	
32	6E7-45571-00-00	GEAR 2 (27T)	1	
33	626-45577-00-00	SHIM (T:0.10MM)	1	UR
33	626-45577-10-00	SHIM (T:0.20MM)	1	UR
33	626-45577-20-00	SHIM (T:0.30MM)	1	UR
33	626-45577-30-00	SHIM (T:0.40MM)	1	UR

CONTINUED ON NEXT FRAME >

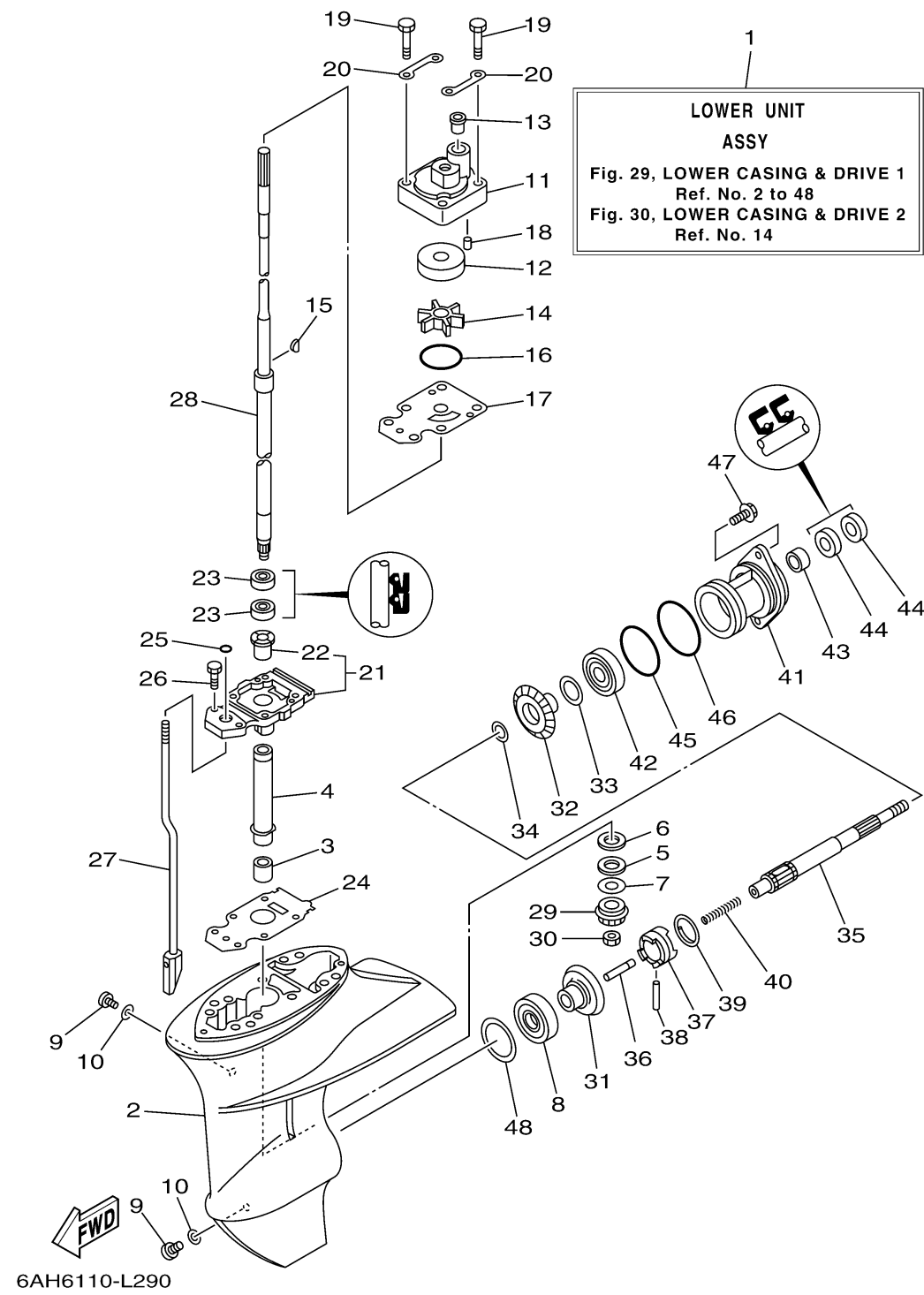


# LOWER CASING DRIVE 1

Ref No.	Part Number	Description	Qty	Remarks
33	626-45577-40-00	SHIM (T:0.50MM)	1	UR
34	90201-17682-00	WASHER, PLATE	1	
35	683-45611-00-00	SHAFT, PROPELLER	1	
36	650-45635-00-00	PLUNGER, SHIFT	1	
37	682-45631-00-00	CLUTCH, DOG	1	
38	90250-05010-00	PIN, STRAIGHT	1	
39	648-45633-11-00	RING, CROSS PIN	1	
40	90501-150A0-00	SPRING, COMPRESSION	1	
41	683-45361-02-8D	CAP, LOWER CASING	1	
42	93306-00501-00	BEARING	1	
43	93315-317U2-00	BEARING	1	
44	93101-17054-00	.OIL SEAL	2	
45	93210-57M09-00	.O-RING	1	
46	93210-56M80-00	.O-RING	1	
47	90119-06321-00	BOLT, WITH WASHER	2	
48	664-45567-01-00	SHIM (T:0.10MM)	1	UR
48	664-45567-10-00	SHIM (T:0.12MM)	1	UR
48	664-45567-20-00	SHIM (T:0.15MM)	1	UR
48	664-45567-30-00	SHIM (T:0.18MM)	1	UR
48	664-45567-40-00	SHIM (T:0.30MM)	1	UR

CONTINUED ON NEXT FRAME >

# LOWER CASING DRIVE 1



Ref No.	Part Number	Description	Qty	Remarks
48	664-45567-50-00	SHIM (T:0.40MM)	1	UR
48	664-45567-60-00	SHIM (T:0.50MM)	1	UR