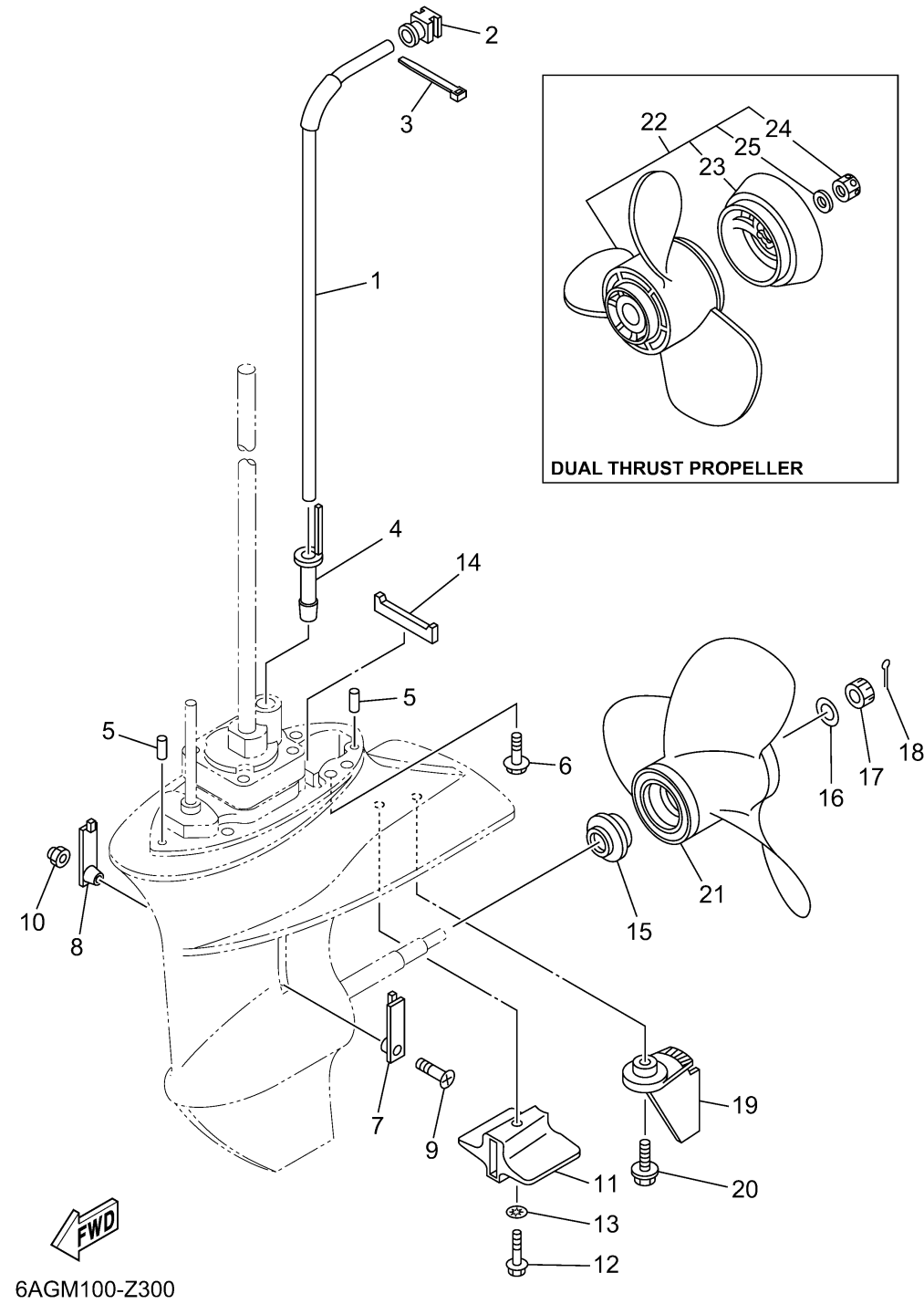


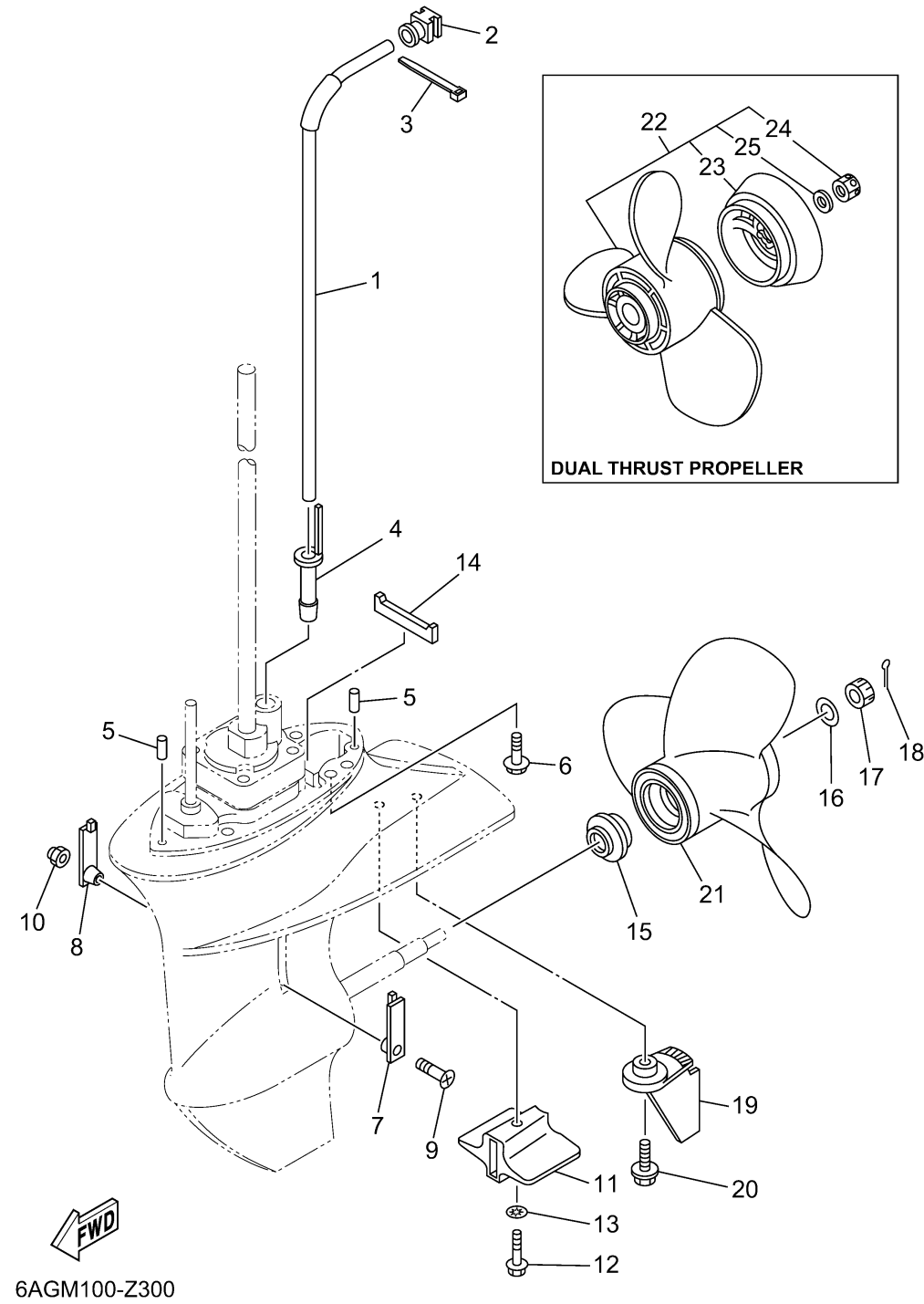
LOWER CASING DRIVE 2



Ref No.	Part Number	Description	Qty	Remarks
1	6AH-44361-01-00	TUBE, WATER 1	1	S(17.1")
1	6AH-44361-11-00	TUBE, WATER 1	0	L(22.1")
2	6AH-44365-01-00	DAMPER, WATER SEAL 1	1	
3	90465-11M10-00	CLAMP	1	
4	6AH-44368-01-00	RUBBER, WATER SEAL 4	1	
5	93604-12M07-00	PIN, DOWEL	2	
6	90119-08205-00	BOLT, WITH WASHER	4	
7	6G1-45214-00-00	COVER, WATER INLET 1	1	
8	63V-45215-00-00	COVER, WATER INLET 2	1	
9	90152-05011-00	SCREW, COUNTERSUNK	1	
10	90185-05002-00	NUT, NYLON	1	
11	6AH-45251-00-00	ANODE	1	
12	95D95-06035-00	BOLT, FLANGE DEEP RECESS	1	
13	92990-06300-00	WASHER, INTERNAL TOOTH	1	
14	63V-45375-00-00	DAMPER, SEAL	1	
15	6E7-45987-01-00	SPACER 1	1	
16	90201-10M01-00	WASHER, PLATE	1	
17	90171-10M01-00	NUT, CASTLE	1	
18	91490-30025-00	PIN. COTTER	1	
19	6AH-45371-A0-00	TAB-TRIM	1	

CONTINUED ON NEXT FRAME >

LOWER CASING DRIVE 2



Ref No.	Part Number	Description	Qty	Remarks
20	90119-06311-00	BOLT, WITH WASHER	1	
21	683-45949-00-00	PROPELLER (3X9-1/2"X6-1/2"-J)	1	UR
21	63V-45947-00-00	PROPELLER (3X9-1/4"X8"-J)	1	UR
21	63V-45941-10-00	PROPELLER (3X9-1/4"X12"-J1)	1	UR
21	63V-45943-10-00	PROPELLER (3X9-1/4"X11"-J1)	1	UR
21	63V-45945-10-00	PROPELLER (3X9-1/4"X9"-J1)	1	UR
21	63V-45952-10-00	PROPELLER (3X9-1/4"X10"-J1)	1	UR
21	683-45941-00-00	PROPELLER (3X9-1/4"X12"-J)	1	UR
21	683-45943-00-00	PROPELLER (3X9-1/4"X10-1/2"-J)	1	UR
21	683-45952-00-00	PROPELLER (3X9-1/4"X9-3/4"-J)	1	UR
22	683-W4592-02-00	PROPELLER (3X9-3/4"X6-1/2"-J)	1	UR
22	683-W4591-02-00	PROPELLER (3X9-3/4"X8"-J)	1	UR
23	6E7-45986-00-00	. .RING, DEFLECTOR	1	
24	90171-10M07-00	. .NUT, CASTLE	1	
25	90201-10M02-00	. .WASHER, PLATE	1	