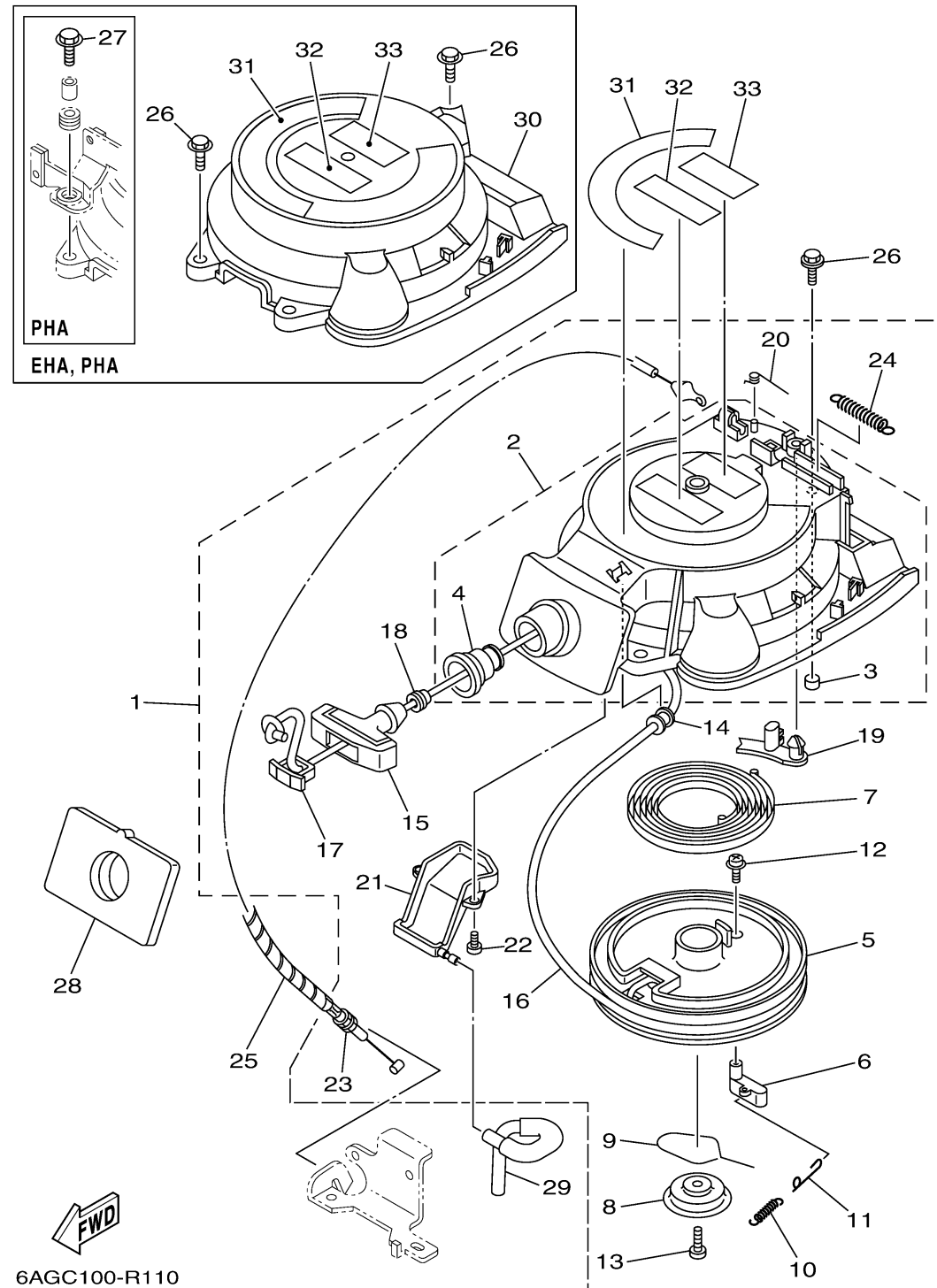


STARTER



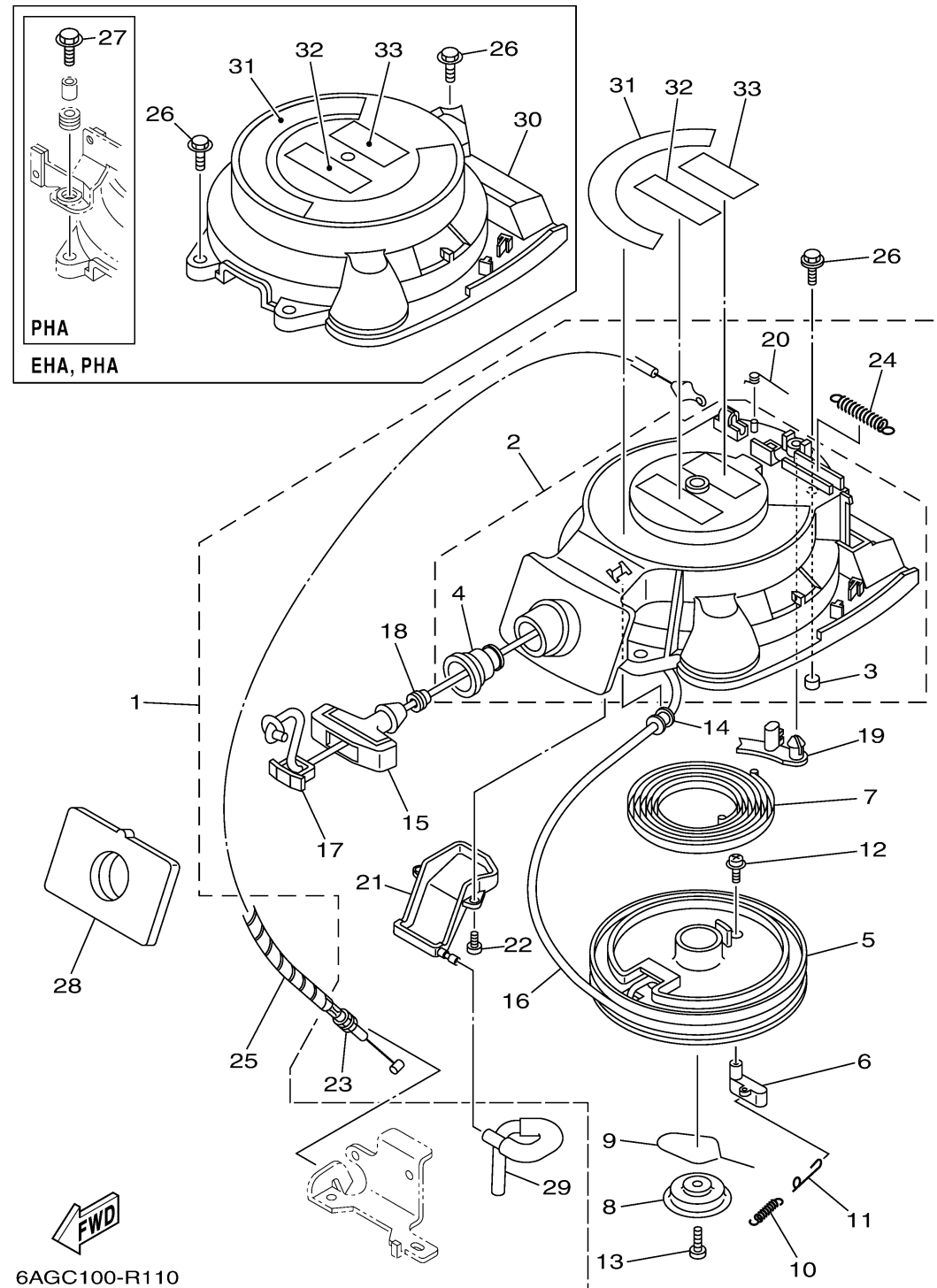
6AGC100-R110

*1: CUT FROM 50M ROLLS, PART NO. 90890-44373, CUTTING LENGTH 1.8M

Ref No.	Part Number	Description	Qty	Remarks
1	6AH-15710-03-00	STARTER ASSY	1	
2	6AH-15711-01-00	..CASE, STARTER	1	
3	6BL-15764-00-00	...COLLAR 1	3	
4	6AH-15795-00-00	...GUIDE, ROPE	1	
5	63V-15714-00-00	..DRUM, SHEAVE	1	
6	6AH-15741-10-00	..PAWL, DRIVE	1	
7	63V-15713-00-00	..SPRING, STARTER	1	
8	68T-15716-00-00	..PLATE, DRIVE	1	
9	63V-15705-01-00	..SPRING, DRIVE PAWL	1	
10	63V-15767-01-00	..SPRING	1	
11	68T-15784-00-00	..SPRING, RETURN	1	
12	63V-15793-00-00	..SCREW	1	
13	68T-15793-00-00	..SCREW	1	
14	68T-15764-00-00	..COLLAR 1	1	
15	689-15755-02-00	..HANDLE, STARTER	1	
16	90790-48193-00	.. ROPE, STARTER	1	*1- UNAVAILABLE, OBTAIN LOCALLY, CUT TO 1.8M
17	6F5-15779-02-00	..COVER	1	
18	6A0-15789-01-00	..DAMPER	1	
19	66T-15794-00-00	..STOPPER	1	
20	66T-15734-00-00	..SPRING, RETURN	1	

CONTINUED ON NEXT FRAME >

STARTER



*1: CUT FROM 50M ROLLS, PART NO. 90890-44373, CUTTING LEN GTH 1.8M

Ref No.	Part Number	Description	Qty	Remarks
21	6AH-15782-00-00	. .COVER, SHEAVE	1	
22	6AH-15793-00-00	. .SCREW	2	
23	6AH-15770-00-00	. .CABLE COMP., STARTER STOP	1	
24	66T-15731-00-00	. .SPRING, RETURN	1	
25	90446-06M90-00	HOSE (L120)	1	
26	97E95-06520-00	BOLT, HEXAGON W/W DEEP RECESS	0	
26	97E95-06520-00	BOLT, HEXAGON W/W DEEP RECESS	0	
26	95D75-06020-00	BOLT, FLANGE DEEP RECESS	3	
27	90119-06169-00	BOLT, WITH WASHER	0	
28	6AH-15762-01-00	SEAL, RUBBER 2	1	
29	6AH-24316-00-00	PIPE 6	1	
30	6AH-81337-00-00	COVER, FLYWHEEL	0	
31	6AH-14427-61-00	LABEL, INSTRUCTION	1	
32	6EE-81995-41-00	LABEL, WARNING	1	
33	6EE-81995-51-00	LABEL, WARNING	1	