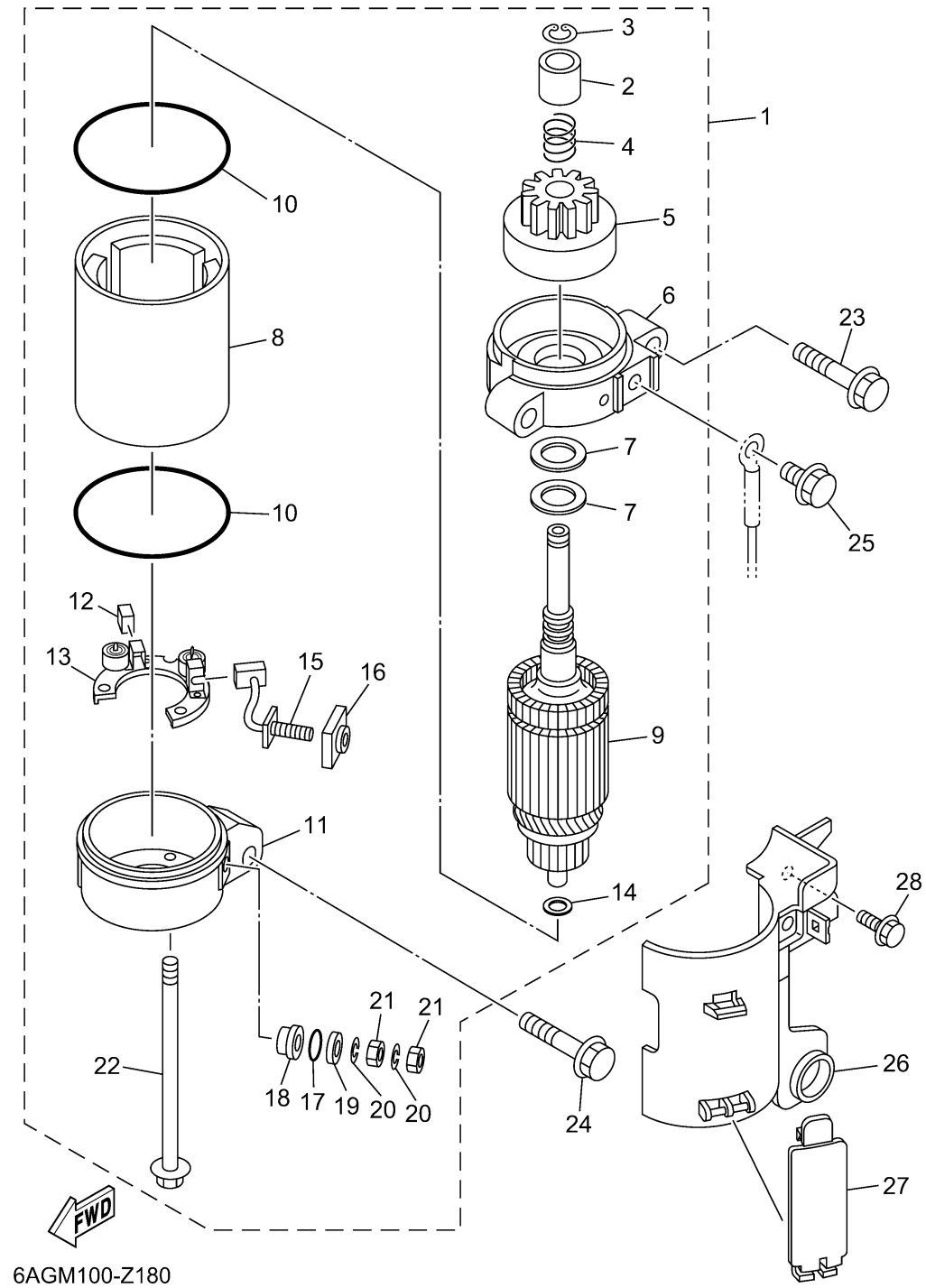


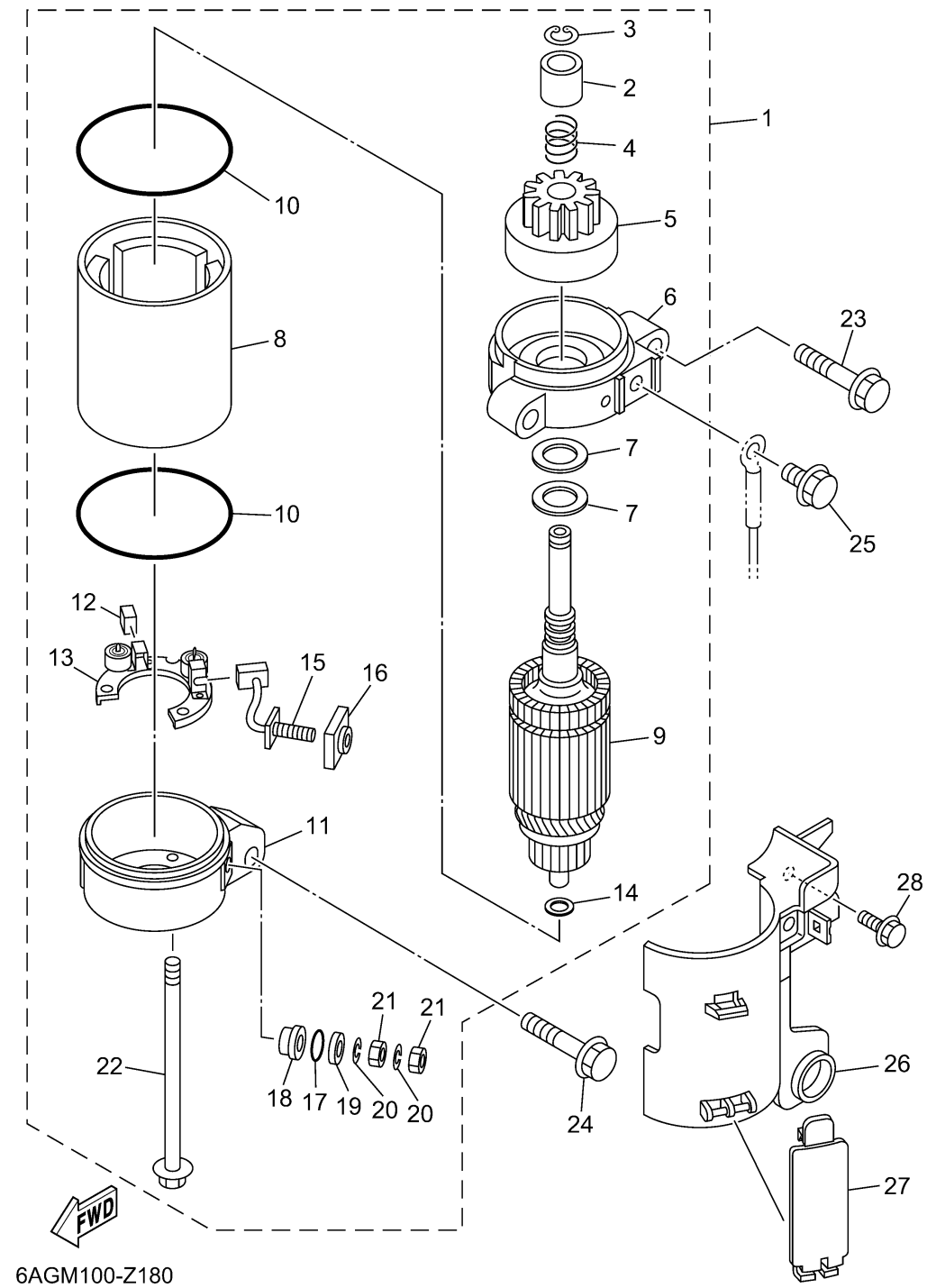
STARTING MOTOR



Ref No.	Part Number	Description	Qty	Remarks
1	6AH-81800-10-00	STARTING MOTOR ASSY	0	
2	6AH-81859-00-00	..STOPPER, PINION	0	
3	689-81884-00-00	..CLIP,PINION STOPPER	0	
4	689-81858-00-00	..SPRING, RETURN	0	
5	689-81807-20-00	..GEAR ASSY, STARTING MOTOR	0	
6	6AH-81830-10-00	..FRONT BRACKET ASSY	0	
7	689-81835-00-00	..WASHER	0	UN
8	689-81810-20-00	..STATOR ASSY	0	
9	689-81850-20-00	..ARMATURE ASSY	0	
10	689-81847-20-00	..O-RING	0	
11	6AH-81820-10-00	..REAR BRACKET ASSY	0	
12	689-81812-20-00	..BRUSH 2	0	
13	6AH-81840-00-00	..BRUSH HOLDER ASSY	0	
14	689-81824-00-00	..WASHER 2	0	
15	6AH-81811-10-00	..BRUSH 1	0	
16	689-8182H-00-00	..BUSH, TERMINAL 2	0	
17	689-8182L-00-00	..O-RING 1	0	
18	689-8182G-00-00	..BUSH, TERMINAL	0	
19	689-8182E-00-00	..WASHER	0	
20	689-8182F-00-00	..WASHER	0	

CONTINUED ON NEXT FRAME >

STARTING MOTOR



Ref No.	Part Number	Description	Qty	Remarks
21	689-8182A-00-00	..NUT	0	
22	689-81826-20-00	..BOLT	0	
23	97513-08545-00	BOLT, WITH WASHER	0	
24	97513-08535-00	BOLT, WITH WASHER	0	
25	97E95-08516-00	BOLT, HEXAGON W/W DEEP RECESS	0	
26	6AH-81942-00-00	COVER	0	
27	6AH-82581-00-00	STAY, CORD CLAMP	0	
28	97E95-06514-00	BOLT, HEXAGON W/W DEEP RECESS	0	