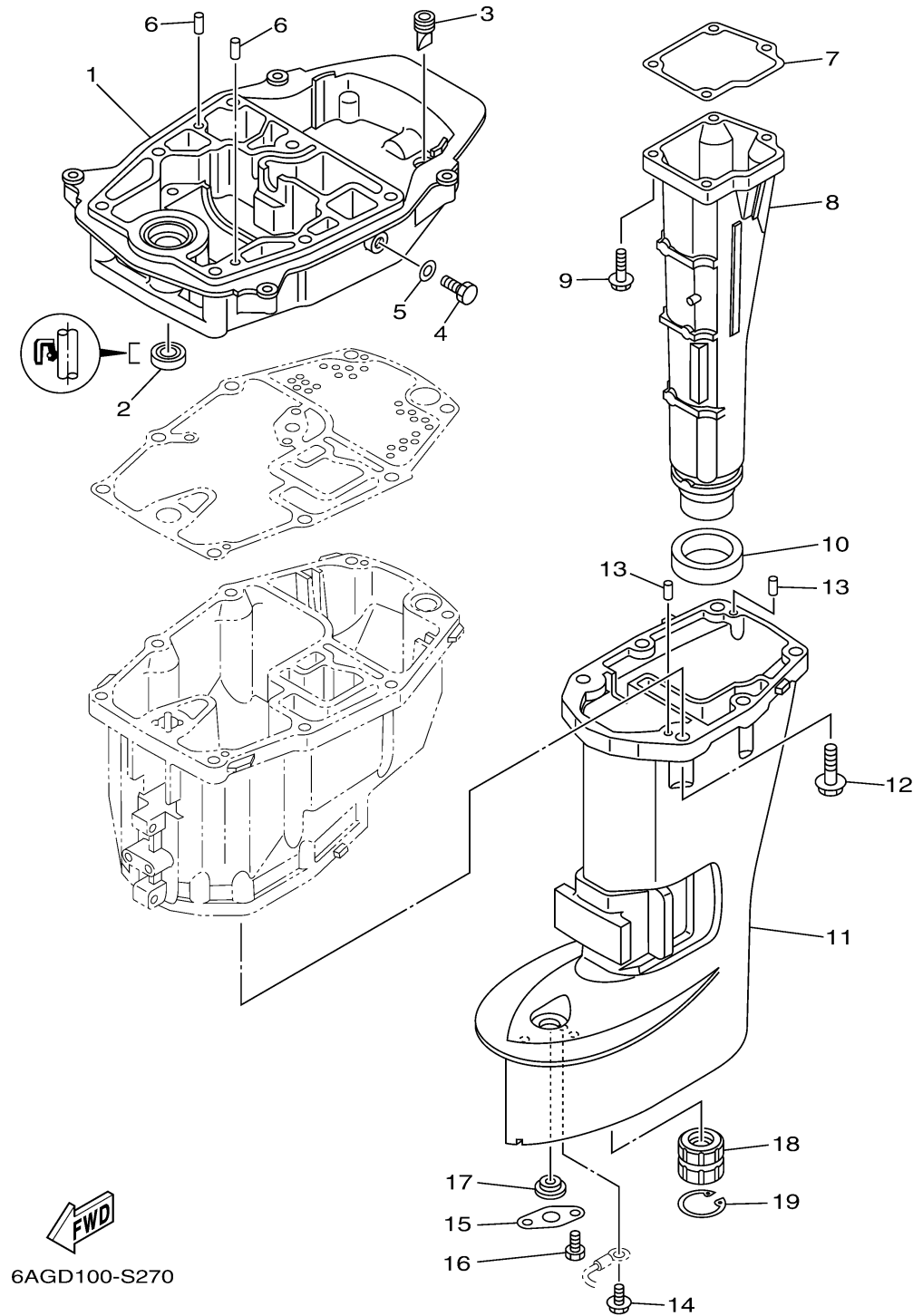


# UPPER CASING



Ref No.	Part Number	Description	Qty	Remarks
1	6AH-41137-00-CA	GUIDE, EXHAUST	1	
2	93101-12M63-00	.OIL SEAL	1	
3	65W-42717-00-00	RUBBER, SEAL 2	1	
4	97D95-08014-00	BOLT, HEXAGON DEEP RECESS	1	
5	90430-08143-00	GASKET	1	
6	93606-19M23-00	PIN, DOWEL	2	
7	6AH-41134-00-00	.GASKET, EXHAUST MANIFOLD 2	1	
8	6AH-14711-00-CA	MUFFLER 1	1	S(17.1")
8	6AH-14711-A0-CA	MUFFLER 1	0	L(22.1")
9	97E75-06525-00	BOLT, HEXAGON W/W DEEP RECESS	4	
10	6AH-41138-00-00	.SEAL, EXT. 1	1	
11	6AH-45111-00-8D	CASING, UPPER	1	S(17.1")
11	6AH-45111-10-8D	CASING, UPPER	0	L(22.1")
12	97E95-08530-00	BOLT, HEXAGON W/W DEEP RECESS	6	
13	93604-12M07-00	PIN, DOWEL	2	
14	97595-05510-00	BOLT HEX. HEAD	1	
15	68T-45321-00-00	PLATE	1	
16	97D95-06008-00	BOLT, HEXAGON DEEP RECESS	1	
17	90480-14M54-00	GROMMET	1	
18	682-45318-00-00	BUSHING, DRIVE SHAFT	0	L(22.1")

CONTINUED ON NEXT FRAME >

# UPPER CASING

Ref No.	Part Number	Description	Qty	Remarks
19	93420-30042-00	CIRCLIP	0	L(22.1")

