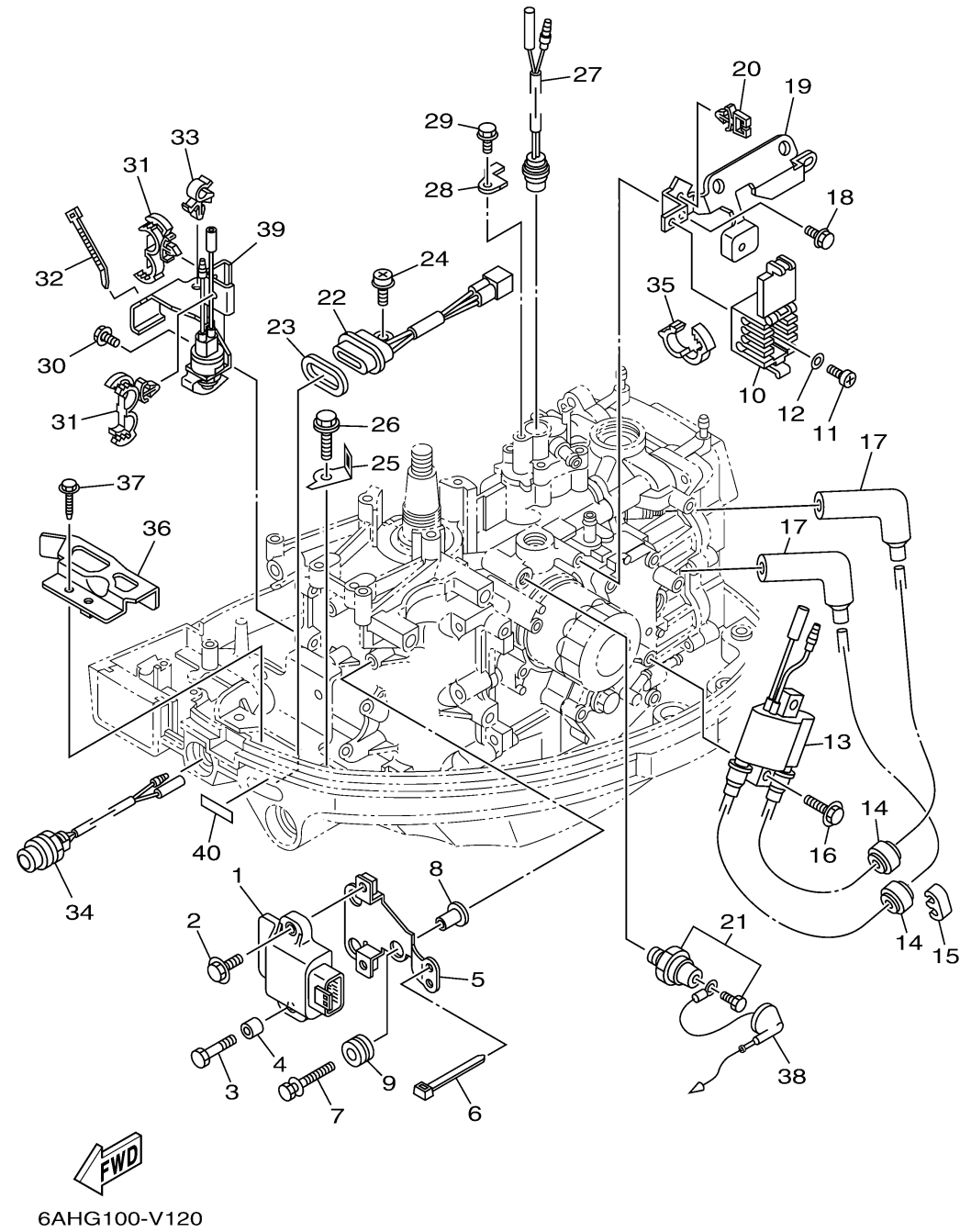


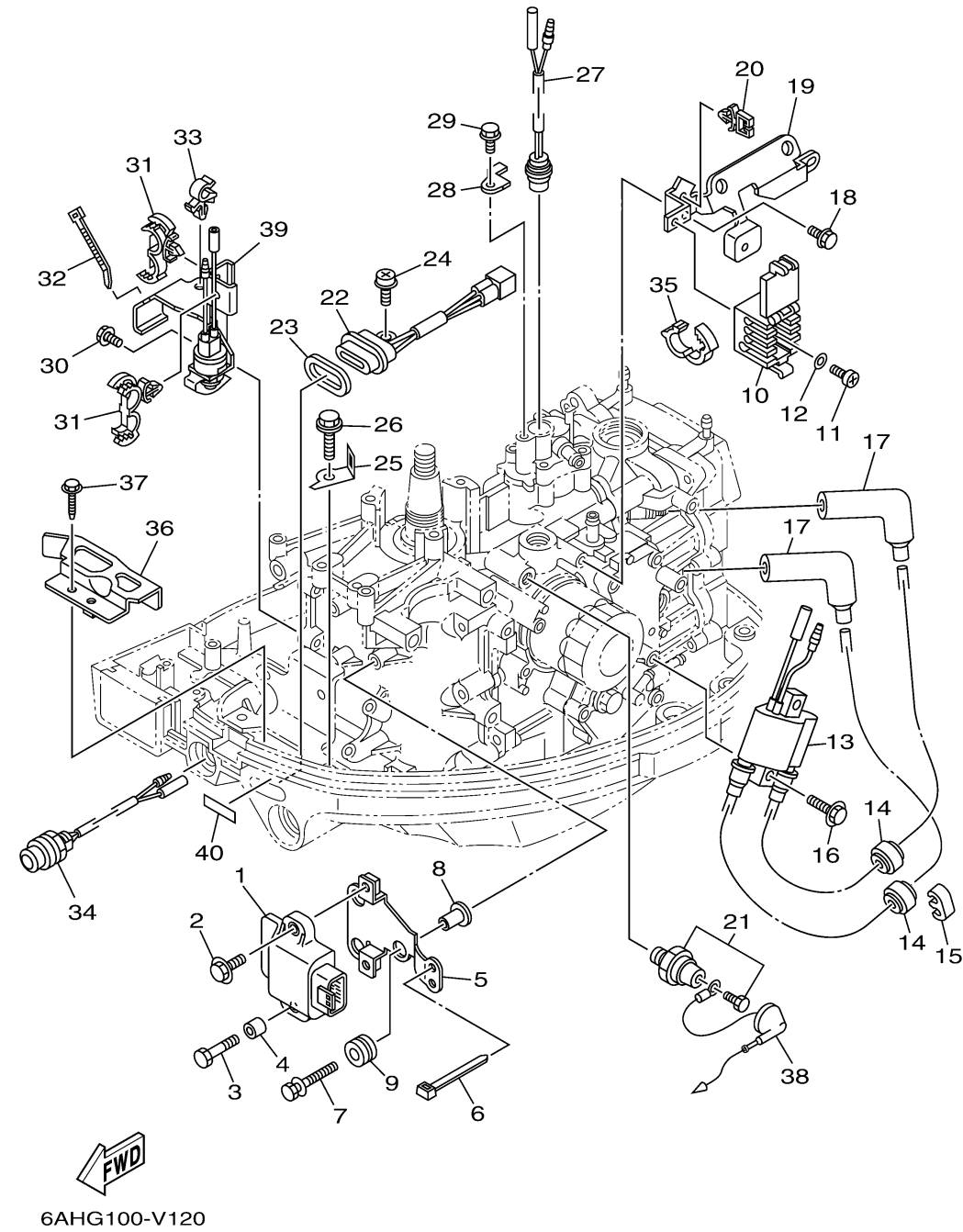
# ELECTRICAL 1



Ref No.	Part Number	Description	Qty	Remarks
1	6AH-85540-00-00	C.D.I. UNIT ASSY	1	
2	97E95-06520-00	BOLT, HEXAGON W/W DEEP RECESS	1	
3	97D95-06030-00	BOLT, HEXAGON DEEP RECESS	1	
4	90387-06M74-00	COLLAR	1	
5	6AH-81948-00-00	BRACKET	1	
6	90465-13M18-00	CLAMP	1	
7	90119-06311-00	BOLT, WITH WASHER	3	
8	90387-06289-00	COLLAR	3	
9	90480-10M23-00	GROMMET	3	
10	6AH-82522-00-00	CLAMP, COUPLER	1	
11	97880-06010-00	SCREW, PAN HEAD	1	
12	90201-06M05-00	WASHER, PLATE	1	
13	6F5-85570-13-00	IGNITION COIL ASSY	1	
14	90480-25003-00	GROMMET	2	
15	67F-82361-00-00	CLAMP, CORD	1	
16	97E95-06525-00	BOLT, HEXAGON W/W DEEP RECESS	2	
17	6AH-82370-00-00	PLUG CAP ASSY	2	
18	97E95-06514-00	BOLT, HEXAGON W/W DEEP RECESS	2	
19	6AH-85542-00-00	BRACKET	1	
20	90464-07M56-00	..CLAMP	2	

CONTINUED ON NEXT FRAME >

# ELECTRICAL 1



Ref No.	Part Number	Description	Qty	Remarks
21	64J-82504-00-00	OIL PRESSURE SWITCH ASSY	1	
22	62Y-84301-10-00	PILOT LIGHT ASSY 1	1	
23	6FM-83589-00-00	GASKET	1	
24	97985-06212-00	SCREW, WITH WASHER	1	
25	6AH-82388-00-00	PLATE	1	
26	90109-06M86-00	BOLT	1	
27	6AH-82560-00-00	THERMO SWITCH ASSY	1	
28	6AH-82588-00-00	PLATE	1	
29	97E95-06514-00	BOLT, HEXAGON W/W DEEP RECESS	1	
30	97E95-06516-00	BOLT, HEXAGON W/W DEEP RECESS	2	
31	90464-18246-00	CLAMP	2	
32	90465-13M18-00	CLAMP	1	
33	90464-10M32-00	CLAMP	1	
34	68T-81870-00-00	STARTING SWITCH ASSY	1	
35	90464-16003-00	CLAMP	1	
36	6AH-82389-00-00	PLATE 2	1	
37	90109-06M86-00	BOLT	1	
38	6AH-82553-02-00	EXTENSION, WIRE LEAD	1	
39	6AH-82540-01-00	NEUTRAL SWITCH ASSY	1	
40	67C-85415-00-00	MARK, SIGNAL LAMP	1	