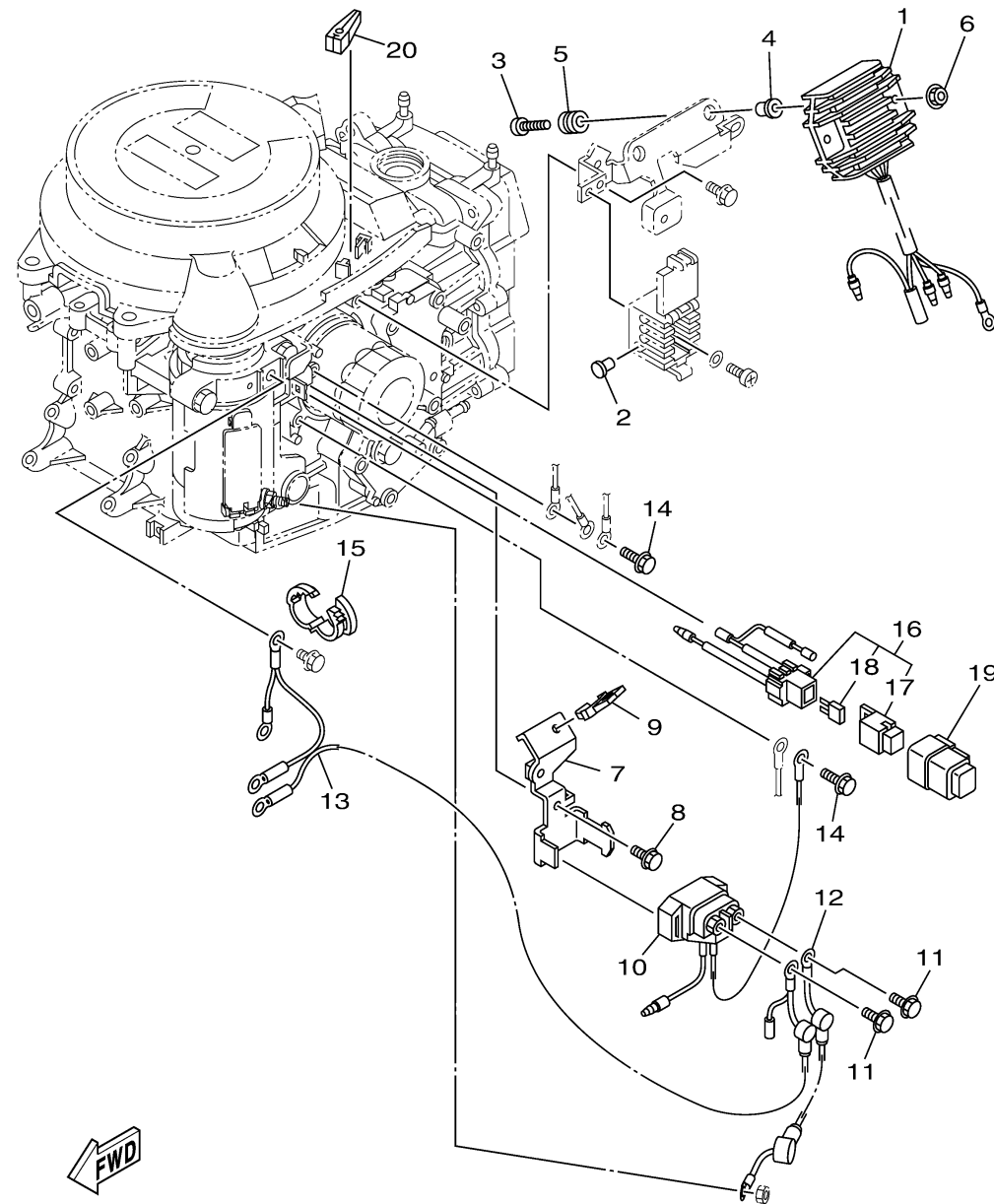


ELECTRICAL 2

Ref No.	Part Number	Description	Qty	Remarks
1	6AH-81960-00-00	RECTIFIER & REGULATOR ASSY	1	
2	703-82119-01-00	COVER, LEAD WIRE	1	
3	98980-06030-00	SCREW, BIND	2	
4	90387-06M70-00	COLLAR	2	
5	90480-13M24-00	GROMMET	2	
6	95780-06500-00	NUT, FLANGE	2	
7	6AH-81945-00-00	PLATE, SWITCH FITTING	1	
8	97E95-06514-00	BOLT, HEXAGON W/W DEEP RECESS	1	
9	90464-08004-00	CLAMP	1	
10	68T-81940-00-00	STARTER RELAY ASSY	1	
11	97E95-06610-00	BOLT, HEXAGON W/W DEEP RECESS	2	
12	6AH-82117-01-00	WIRE, LEAD	1	
13	6AH-82105-02-00	BATTERY CABLE	1	
14	97E95-06514-00	BOLT, HEXAGON W/W DEEP RECESS	2	
15	90464-16001-00	CLAMP	1	
16	6AH-82150-00-00	FUSE HOLDER ASSY	1	
17	67F-8215B-10-00	..CAP (YELLOW)	1	
18	67F-82151-00-00	..FUSE (20A)	2	
19	6AH-82157-00-00	DAMPER	1	
20	67F-2812A-00-00	PULLER, FUSE	1	



6AHG100-V130