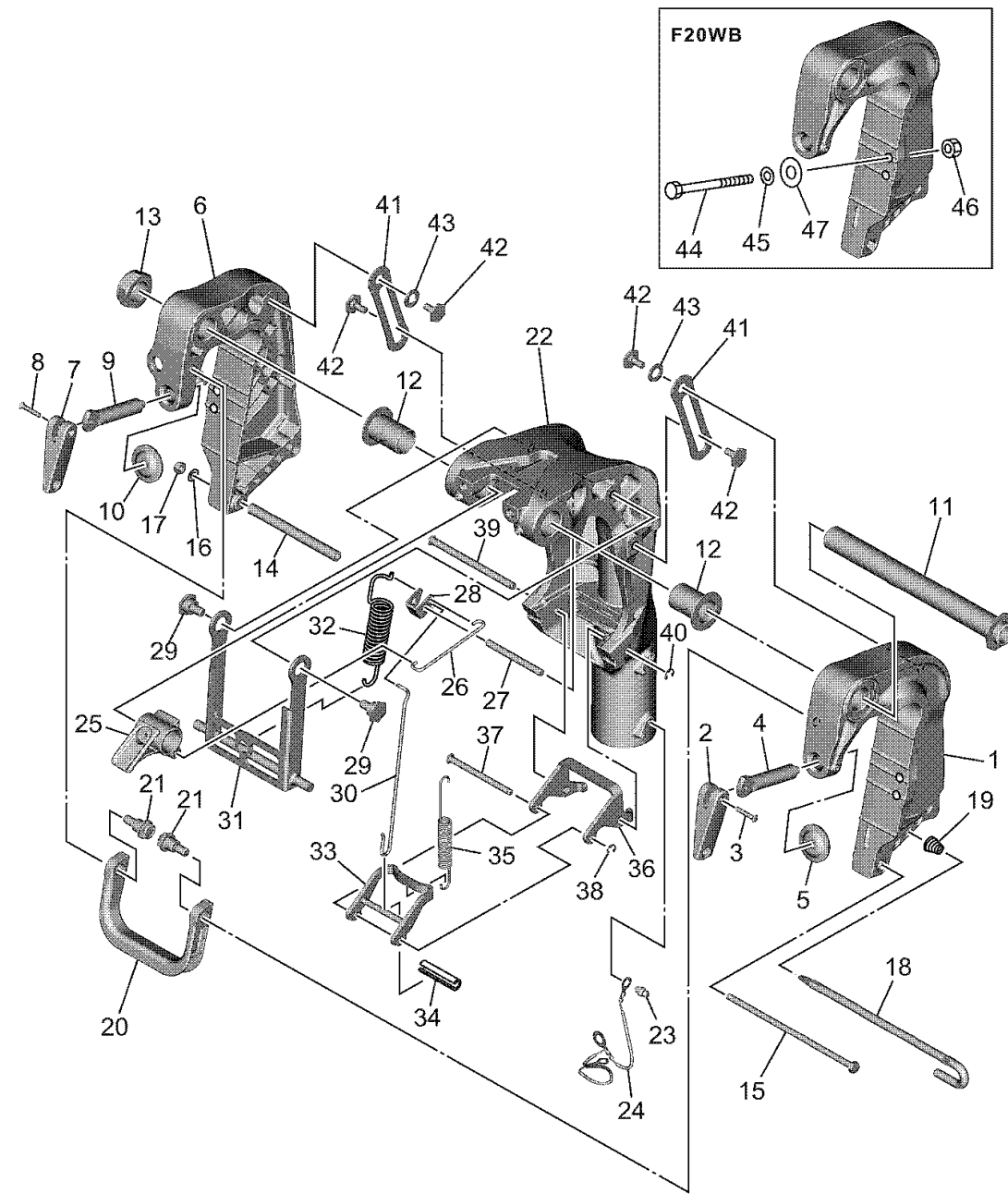


6HY7100DY280

BRACKET 1

| Ref No. | Part Number | Description | Qty | Remarks |
|---------|-----------------|-----------------------|-----|---------|
| 1 | 6FM-43111-00-8D | BRACKET, CLAMP 1 | 1 | |
| 2 | 6E0-43118-01-00 | HANDLE, TRANSOM CLAMP | 1 | |
| 3 | 90243-04M01-00 | PIN | 1 | |
| 4 | 6E7-43116-00-00 | SCREW, TRANSOM CLAMP | 1 | |
| 5 | 648-43114-01-00 | PAD, TRANSOM CLAMP | 1 | |
| 6 | 6FM-43112-00-8D | BRACKET, CLAMP 2 | 1 | |
| 7 | 6E0-43118-01-00 | HANDLE, TRANSOM CLAMP | 1 | |
| 8 | 90243-04M01-00 | PIN | 1 | |
| 9 | 6E7-43116-00-00 | SCREW, TRANSOM CLAMP | 1 | |
| 10 | 648-43114-01-00 | PAD, TRANSOM CLAMP | 1 | |
| 11 | 6FM-43131-00-00 | BOLT, CLAMP BRACKET | 1 | |
| 11 | 6FM-43131-10-00 | BOLT, CLAMP BRACKET | 0 | |
| 12 | 90386-22MA4-00 | BUSH | 2 | |
| 13 | 90185-22043-00 | NUT, SELF-LOCKING | 1 | |
| 14 | 90387-06369-00 | COLLAR | 1 | |
| 15 | 90101-06M18-00 | BOLT | 1 | |
| 16 | 92995-06600-00 | WASHER | 1 | |
| 17 | 95380-06700-00 | NUT | 1 | |
| 18 | 6L2-43160-01-00 | TILT ROD ASSY | 1 | |
| 19 | 90502-10M07-00 | SPRING, CONICAL | 1 | |

CONTINUED ON NEXT FRAME >



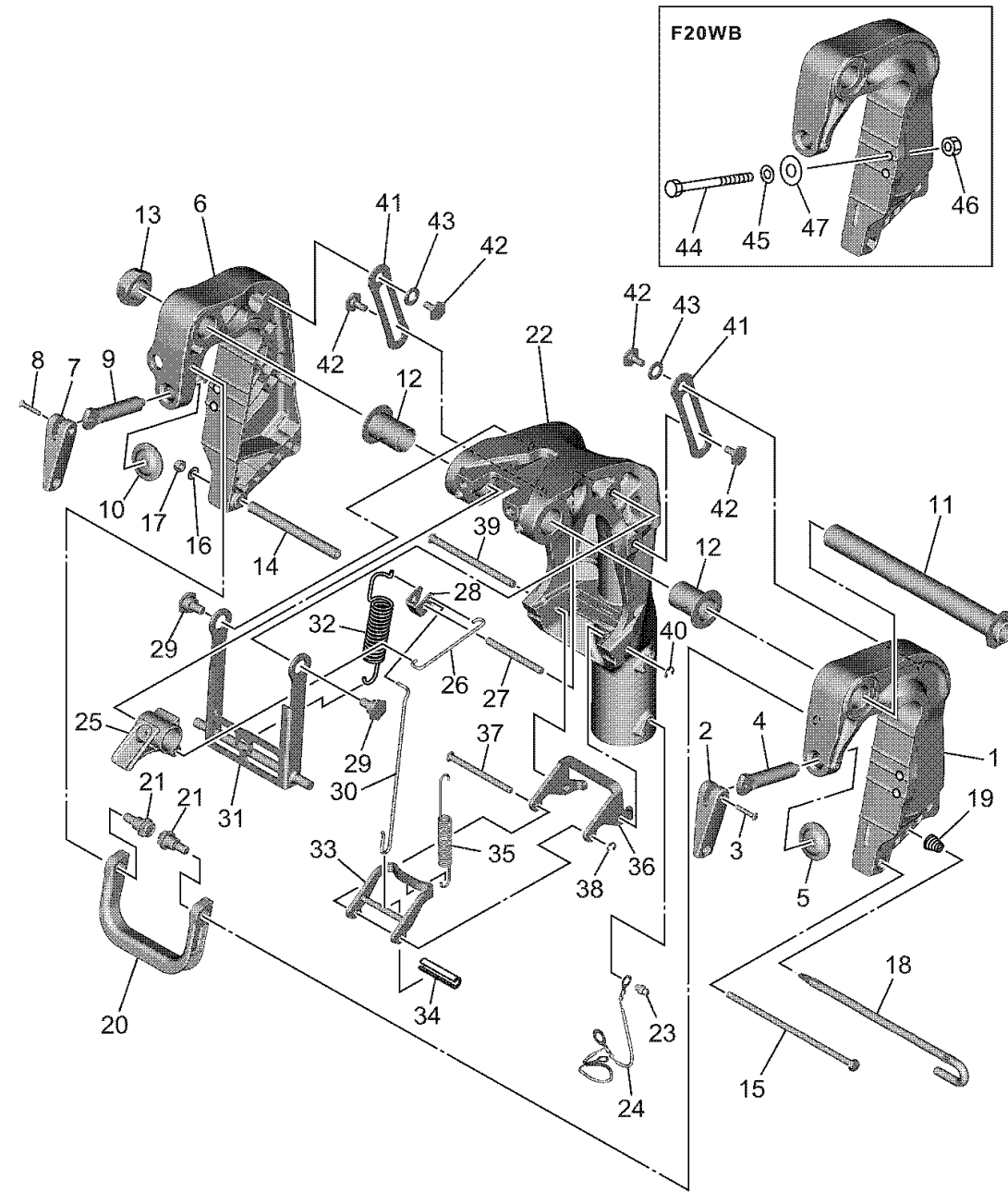
6HY7100DY280

BRACKET 1

| Ref No. | Part Number | Description | Qty | Remarks |
|---------|-----------------|------------------------|-----|----------|
| 20 | 6FM-42731-00-00 | CARRYING HANDLE | 1 | |
| 21 | 90109-08043-00 | BOLT | 2 | |
| 22 | 6FM-43311-00-8D | BRACKET, SWIVEL 1 | 1 | S(16.7") |
| 22 | 6FM-43311-10-8D | BRACKET, SWIVEL 1 | 0 | L(21.7") |
| 23 | 93700-06004-00 | NIPPLE, GREASE | 1 | |
| 24 | 6FM-82127-00-00 | WIRE, LEAD 2 | 1 | |
| 25 | 6FM-43631-00-00 | LEVER, TILT | 1 | |
| 26 | 6FM-43616-00-00 | ROD, TILT LOCK | 1 | |
| 27 | 6FM-43646-00-00 | SHAFT, LEVER | 1 | |
| 28 | 6FM-43641-00-00 | LEVER, TILT | 1 | |
| 29 | 90109-08M87-00 | BOLT | 2 | |
| 30 | 6FM-43617-00-00 | ROD, TILT LOCK | 1 | |
| 31 | 6FM-43350-00-00 | RECEIVER ASSY | 1 | |
| 32 | 6FM-43656-00-00 | SPRING, REVERSE LOCK 1 | 1 | |
| 33 | 6FM-43624-00-00 | PLATE, TILT LOCK | 1 | |
| 34 | 90387-06321-00 | COLLAR | 1 | |
| 35 | 6FM-43656-10-00 | SPRING, REVERSE LOCK 1 | 1 | |
| 36 | 6FM-43613-00-00 | ARM, TILT LOCK | 1 | |
| 37 | 6L2-43336-10-00 | PIN | 1 | |
| 38 | 99080-05600-00 | CIRCLIP | 1 | |

CONTINUED ON NEXT FRAME >

BRACKET 1



| Ref No. | Part Number | Description | Qty | Remarks |
|---------|-----------------|-------------------|-----|---------|
| 39 | 6J8-43611-01-00 | SHAFT, TILT LOCK | 1 | |
| 40 | 99080-05600-00 | CIRCLIP | 1 | |
| 41 | 6FM-43627-00-00 | STOPPER | 2 | |
| 42 | 90109-06M84-00 | BOLT | 4 | |
| 43 | 90206-10M24-00 | WASHER, WAVE | 2 | |
| 44 | 90101-08M88-00 | BOLT | 0 | |
| 45 | 92990-08600-00 | WASHER, PLATE | 0 | |
| 46 | 90185-08057-00 | NUT, SELF-LOCKING | 0 | |
| 47 | 90201-08MA4-00 | WASHER, PLATE | 0 | |


 6HY7100DY280