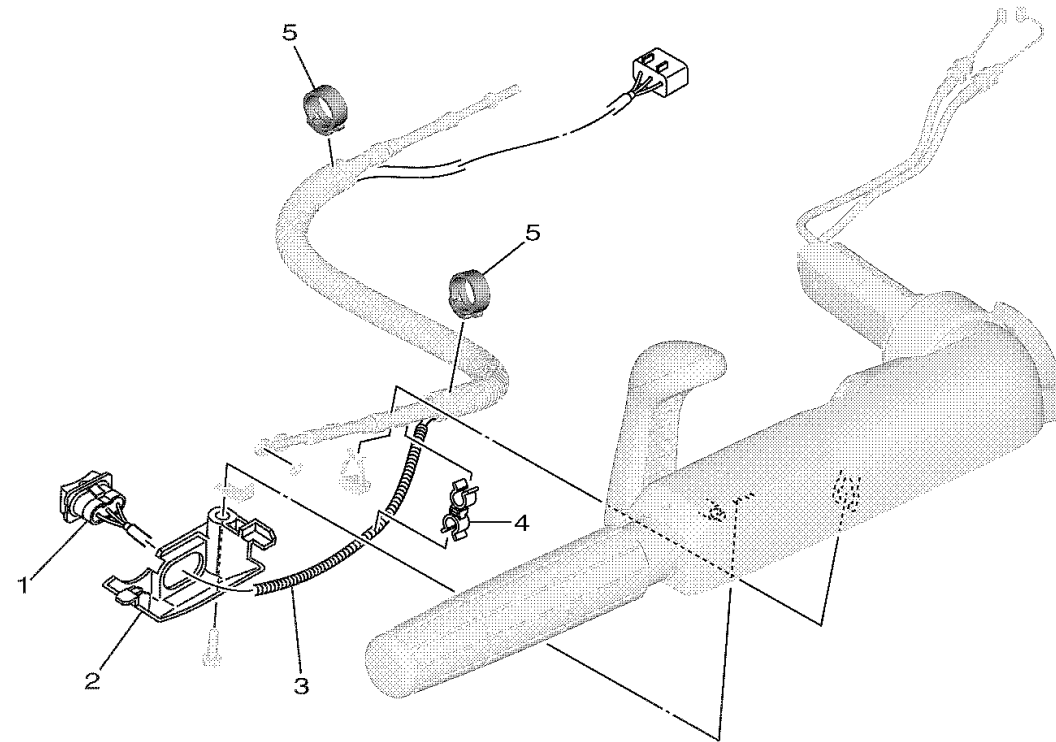


# ELECTRICAL 6

| Ref No. | Part Number     | Description | Qty | Remarks |
|---------|-----------------|-------------|-----|---------|
| 1       | 6FM-81860-01-00 | SWITCH ASSY | 1   |         |
| 2       | 6FM-42176-00-00 | STAY 2      | 1   |         |
| 3       | 90446-10M82-00  | HOSE (L90)  | 1   |         |
| 4       | 90464-10M59-00  | CLAMP       | 1   |         |
| 5       | 90464-16001-00  | CLAMP       | 2   |         |



  
 6FM1100DR200