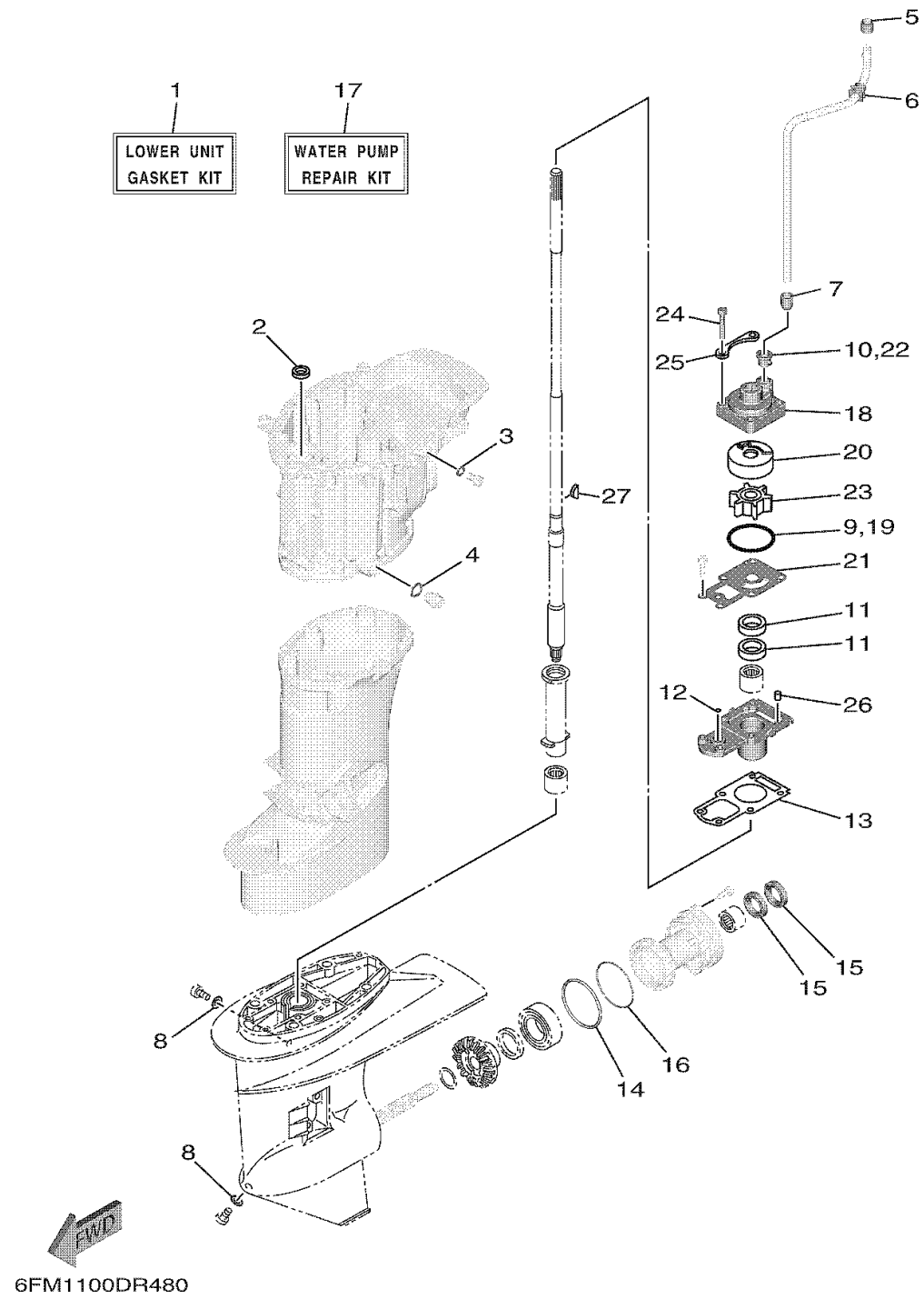


REPAIR KIT 2

Ref No.	Part Number	Description	Qty	Remarks
1	6FM-W0001-21-00	LOWER UNIT GASKET KIT	1	
2	93101-13001-00	..OIL SEAL	1	
3	90430-08143-00	..GASKET	1	
4	90430-14M09-00	..GASKET	1	
5	682-44365-01-00	..DAMPER, WATER SEAL 1	1	
6	6AH-44365-01-00	..DAMPER, WATER SEAL 1	1	
7	6L2-44368-01-00	..RUBBER, WATER SEAL 4	1	
8	90430-08003-00	..GASKET	2	
9	93210-45161-00	..O-RING	1	
10	6L2-44367-11-00	..DAMPER, WATER SEAL 3	1	
11	93101-20048-00	..OIL SEAL	2	
12	93210-06ME6-00	..O-RING	1	
13	6L2-45315-A0-00	..PACKING, LOWER CASING	1	
14	93210-60MA3-00	..O-RING	1	
15	93101-20M07-00	..OIL SEAL	2	
16	93210-60M99-00	..O-RING	1	
17	6FM-W0078-02-00	WATER PUMP REPAIR KIT	1	
18	6L2-44311-01-00	..HOUSING, WATER PUMP	1	
19	93210-45161-00	..O-RING	1	
20	6L2-44322-00-00	..INSERT, CARTRIDGE	1	

CONTINUED ON NEXT FRAME >



REPAIR KIT 2

Ref No.	Part Number	Description	Qty	Remarks
21	6FM-44323-01-00	. .OUTER PLATE, CARTRIDGE	1	
22	6L2-44367-11-00	. .DAMPER, WATER SEAL 3	1	
23	6L2-44352-00-00	. .IMPELLER	1	
24	97E95-06540-00	. .BOLT, HEXAGON W/W DEEP RECESS	4	
25	6L2-44328-00-00	. .PLATE	2	
26	93604-12M07-00	. .PIN, DOWEL	2	
27	90280-03024-00	. .KEY, WOODRUFF	1	