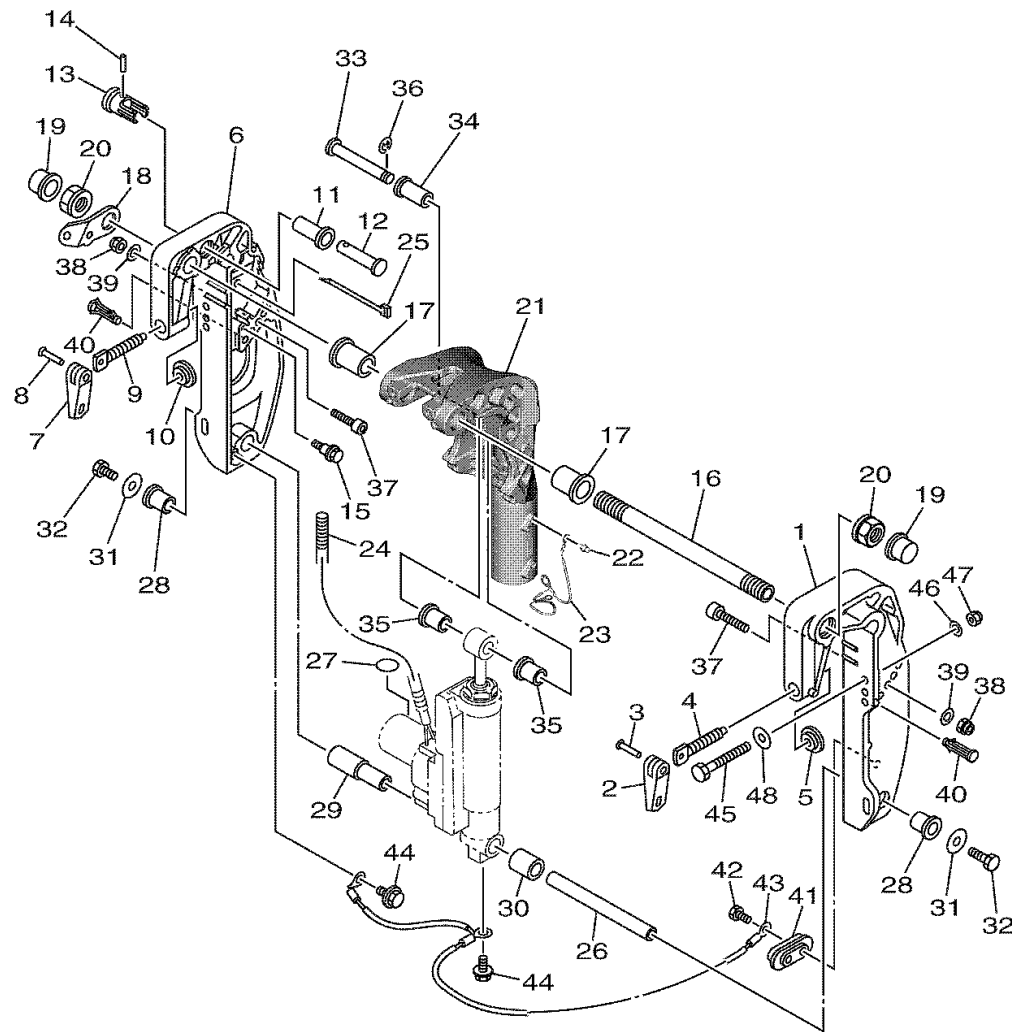


# BRACKET 1

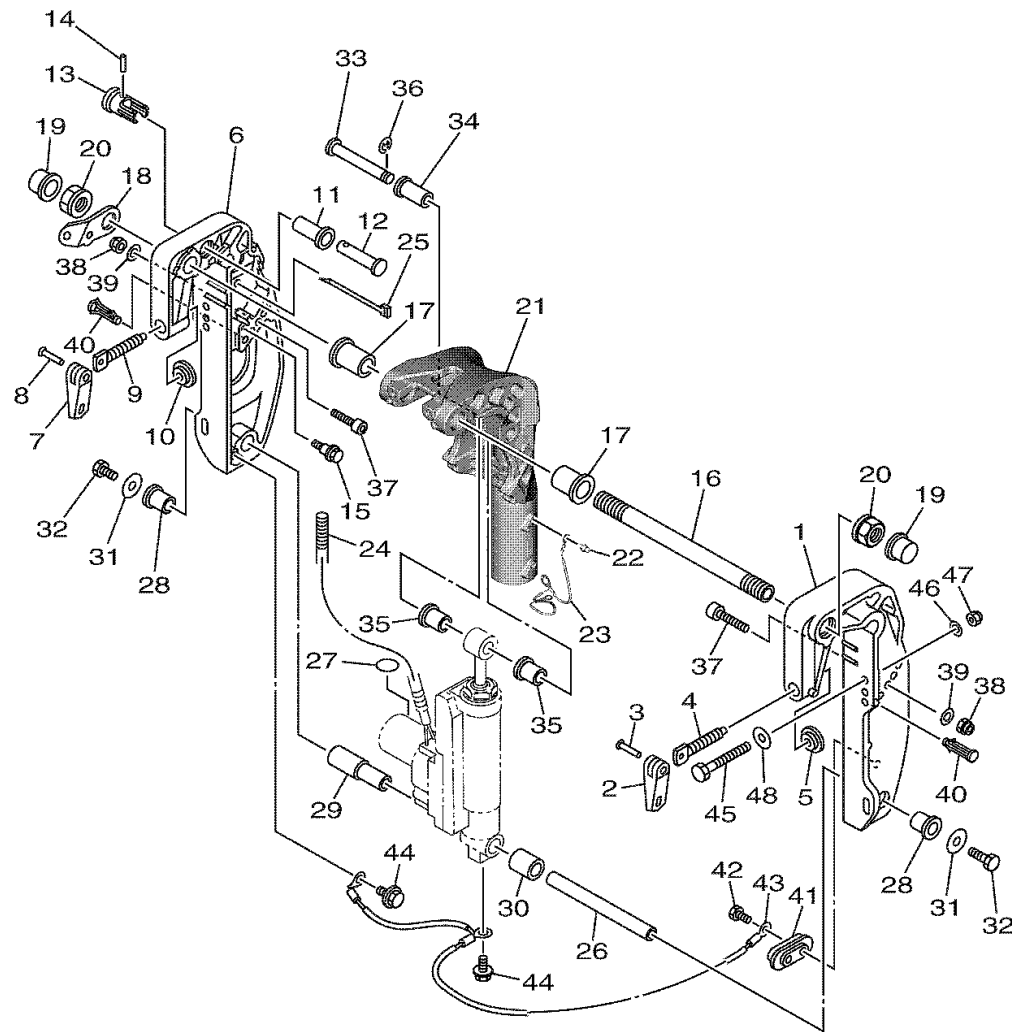


Ref No.	Part Number	Description	Qty	Remarks
1	69A-43111-01-8D	BRACKET, CLAMP 1	1	
2	6E0-43118-01-00	HANDLE, TRANSOM CLAMP	1	
3	90243-04M01-00	PIN	1	
4	6E7-43116-00-00	SCREW, TRANSOM CLAMP	1	
5	648-43114-01-00	PAD, TRANSOM CLAMP	1	
6	69A-43112-02-8D	BRACKET, CLAMP 2	1	
7	6E0-43118-01-00	HANDLE, TRANSOM CLAMP	1	
8	90243-04M01-00	PIN	1	
9	6E7-43116-00-00	SCREW, TRANSOM CLAMP	1	
10	648-43114-01-00	PAD, TRANSOM CLAMP	1	
11	6FM-43189-00-00	BUSHING	1	
12	65W-43191-00-00	SHAFT, STOPPER	1	
13	6FM-43192-00-00	KNOB, STOPPER	1	
14	91690-30018-00	PIN, SPRING	1	
15	90109-06MA1-00	BOLT	1	
16	69A-43131-00-00	BOLT, CLAMP BRACKET	1	FOR REMOTE CONTROL
17	90386-22MA4-00	BUSH	2	
18	69A-43113-00-00	PLATE, CLAMP BRACKET	1	
19	6G5-43145-01-00	CAP, CLAMP BRACKET	2	
20	90185-22043-00	NUT, SELF-LOCKING	2	

CONTINUED ON NEXT FRAME >



# BRACKET 1



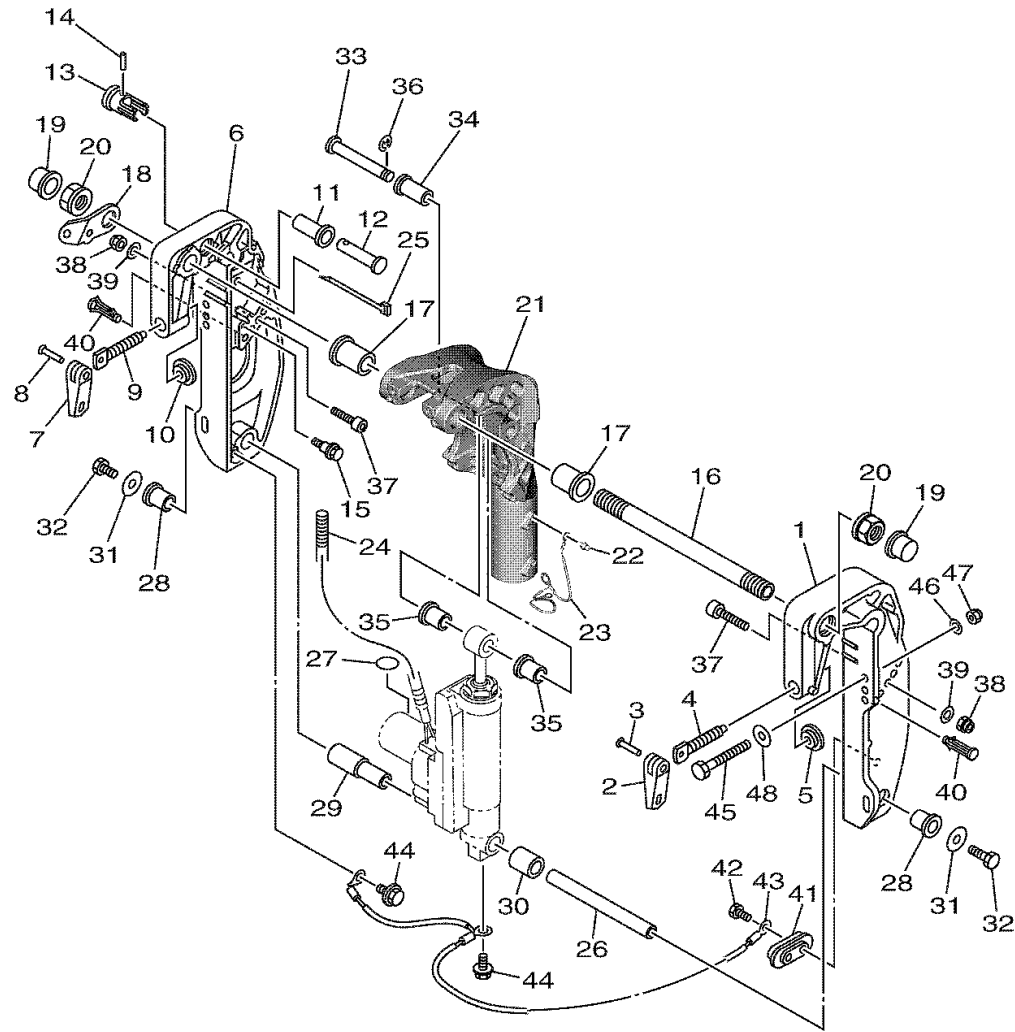
Ref No.	Part Number	Description	Qty	Remarks
21	6HY-43311-00-8D	BRACKET, SWIVEL 1	1	S(16.7")
21	6HY-43311-10-8D	BRACKET, SWIVEL 1	0	L(21.1")
22	93700-06004-00	NIPPLE, GREASE	1	
23	6FM-82127-00-00	WIRE, LEAD 2	1	
24	90446-14MH7-00	HOSE (L560)	1	
25	90465-13M97-00	CLAMP	1	
26	69G-43818-00-00	PIN, LOWER SHOCK MOUNT	1	
27	69A-43155-00-00	MARK 1	1	
28	90386-16MA7-00	BUSH	2	
29	90386-16MA8-00	BUSH	1	
30	90387-16M02-00	COLLAR	1	
31	90201-08M00-00	WASHER, PLATE	2	
32	97080-08016-00	BOLT	2	
33	90249-12M36-00	PIN	1	
34	90381-12M10-00	BUSH, SOLID	1	
35	90381-12M11-00	BUSH, SOLID	2	
36	99080-10600-00	CIRCLIP	1	
37	90110-08121-00	BOLT, HEXAGON SOCKET HEAD	2	
38	90185-08057-00	NUT, SELF-LOCKING	2	
39	92990-08600-00	WASHER, PLATE	2	

CONTINUED ON NEXT FRAME >

  
6HY3100DV280

# BRACKET 1

Ref No.	Part Number	Description	Qty	Remarks
40	90338-08M19-00	PLUG	4	S(16.7")
40	90338-08M19-00	PLUG	0	L(21.7")
41	65W-45251-00-00	ANODE	1	
42	90101-06020-00	BOLT	2	
43	63V-82127-00-00	WIRE, LEAD 2	1	
44	97E95-06510-00	BOLT, HEXAGON W/W DEEP RECESS	2	
45	90101-08M88-00	BOLT	4	
46	92990-08600-00	WASHER, PLATE	4	
47	90185-08057-00	NUT, SELF-LOCKING	4	
48	90201-08MA4-00	WASHER, PLATE	4	



6HY3100DV280