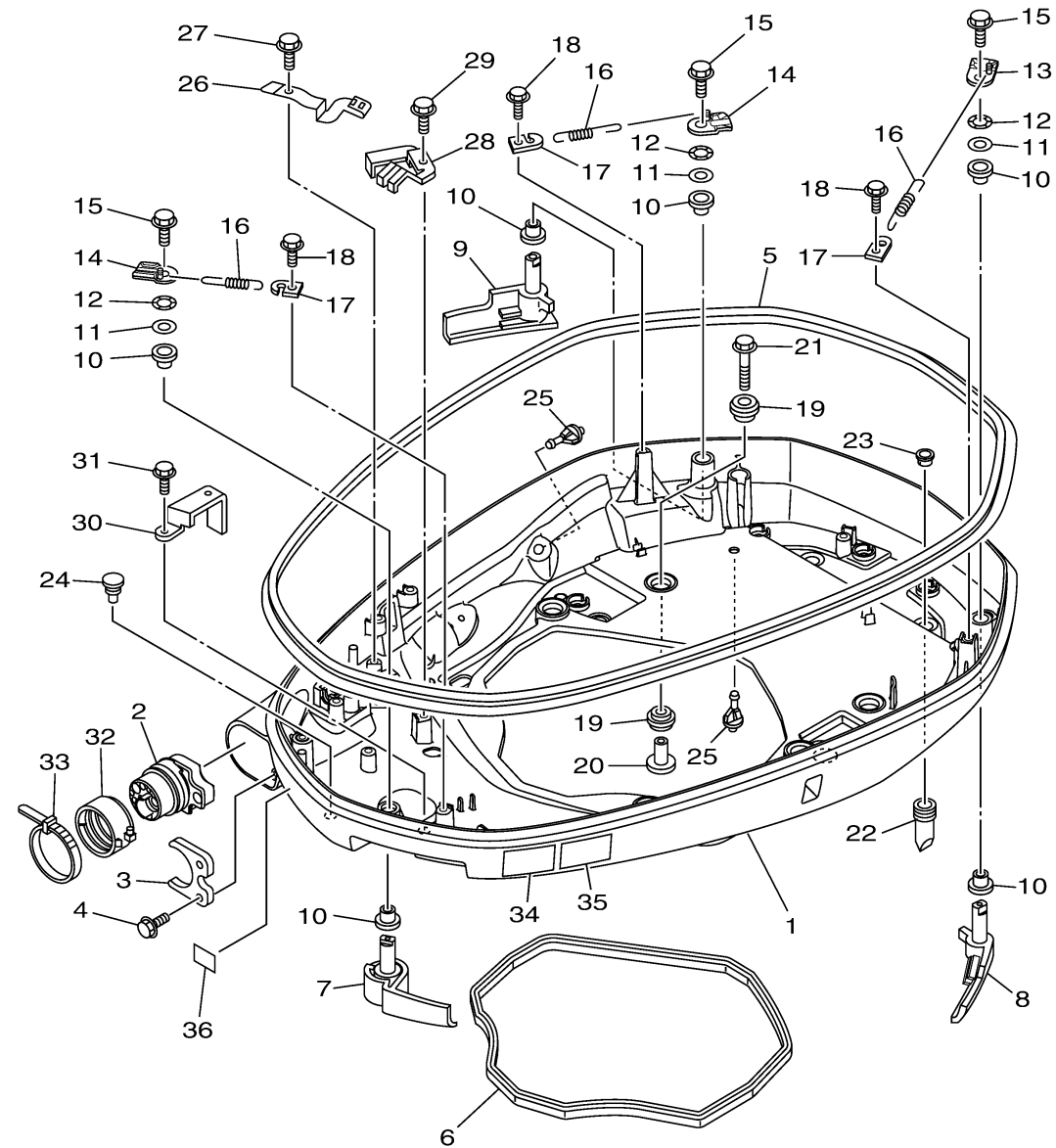


BOTTOM COWLING 1



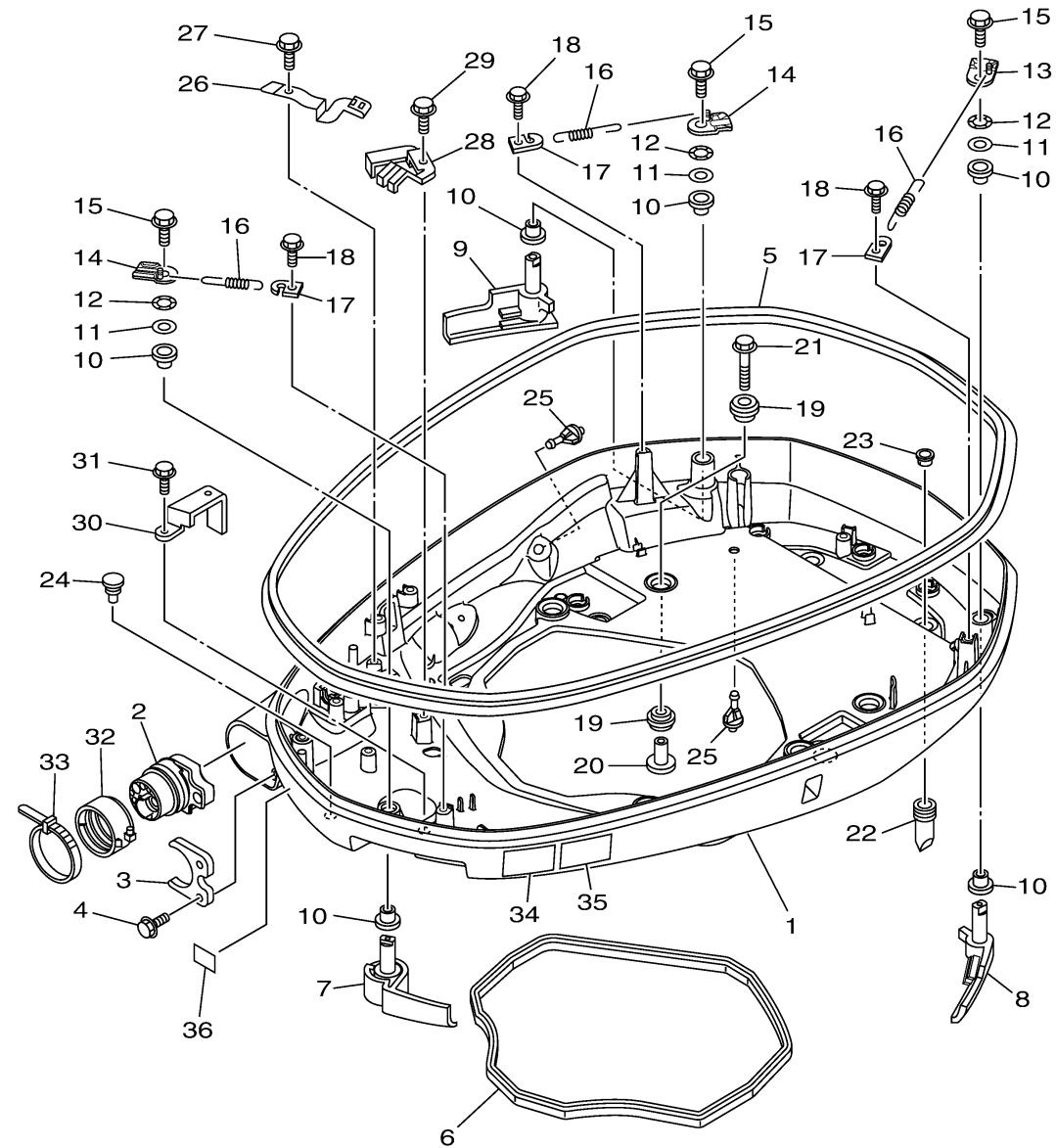
6HB1100-Q240

Ref No.	Part Number	Description	Qty	Remarks
1	6CB-42710-00-CE	BOTTOM COWLING ASSY	0	WHITE
1	6CB-42710-00-8D	BOTTOM COWLING ASSY	1	GRAY
2	6DA-42725-03-00	GROMMET	1	
3	6CB-42761-00-00	STOPPER	1	
4	95D95-06014-00	BOLT, FLANGE DEEP RECESS	2	
5	6CB-42615-01-00	SEAL	1	
6	6CB-42716-01-00	RUBBER SEAL 1	1	
7	6CB-42815-02-CE	LEVER, CLAMP 1	0	WHITE
7	6CB-42815-02-8D	LEVER, CLAMP 1	1	GRAY
8	6CB-42816-02-8D	LEVER, CLAMP 2	1	GRAY
8	6CB-42816-02-CE	LEVER, CLAMP 2	0	WHITE
9	6CB-42817-02-CE	LEVER, CLAMP 3	0	WHITE
9	6CB-42817-02-8D	LEVER, CLAMP 3	1	GRAY
10	90386-15M73-00	BUSH	6	
11	90201-156J2-00	WASHER, PLATE	3	
12	90206-15M18-00	WASHER, WAVE	3	
13	6CB-42818-00-00	LEVER, CLAMP 4	1	
14	6CB-42819-00-00	LEVER, CLAMP 5	2	
15	95D95-08012-00	BOLT, FLANGE DEEP RECESS	3	
16	90506-22001-00	SPRING, TENSION	3	

CONTINUED ON NEXT FRAME >

BOTTOM COWLING 1

Ref No.	Part Number	Description	Qty	Remarks
17	66T-43144-00-00	HOOK, SPRING	3	
18	95D95-06012-00	BOLT, FLANGE DEEP RECESS	3	
19	90480-22M81-00	GROMMET	12	
20	90387-08M37-00	COLLAR	6	
21	90119-08187-00	BOLT, WITH WASHER	6	
22	6DA-42717-01-00	RUBBER, SEAL 2	2	
23	6DA-42384-00-00	SEAL, CAP	2	
24	6H4-42748-01-00	GROMMET	1	
25	6P2-44391-00-00	NIPPLE, HOSE	2	
26	6CB-42743-00-00	BRACKET	1	
27	95D95-06012-00	BOLT, FLANGE DEEP RECESS	1	
28	6CB-42766-00-00	BRACKET 2	1	
29	95D95-06012-00	BOLT, FLANGE DEEP RECESS	1	
30	6CB-42756-00-00	STAY, CLAMP	1	
31	95D95-06012-00	BOLT, FLANGE DEEP RECESS	1	
32	68F-42753-00-00	FASTNER	1	AP
33	90464-20258-00	CLAMP	1	AP
34	6EE-42794-41-00	LABEL, WARNING (GENERAL)	1	
35	6EE-42794-51-00	LABEL, WARNING (GENERAL)	1	
36	6AH-81996-01-00	MARK	1	



FWD
6HB1100-Q240