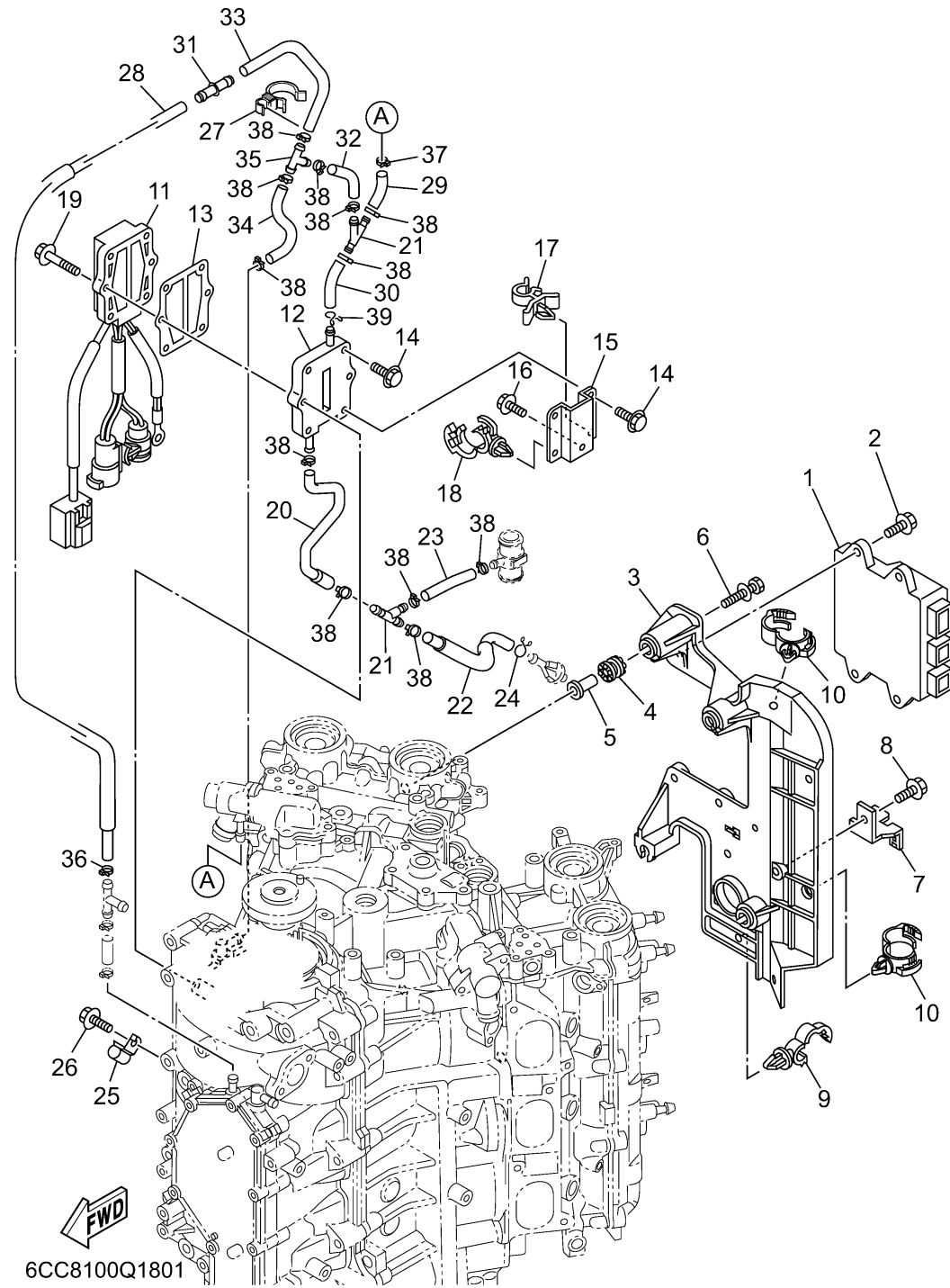


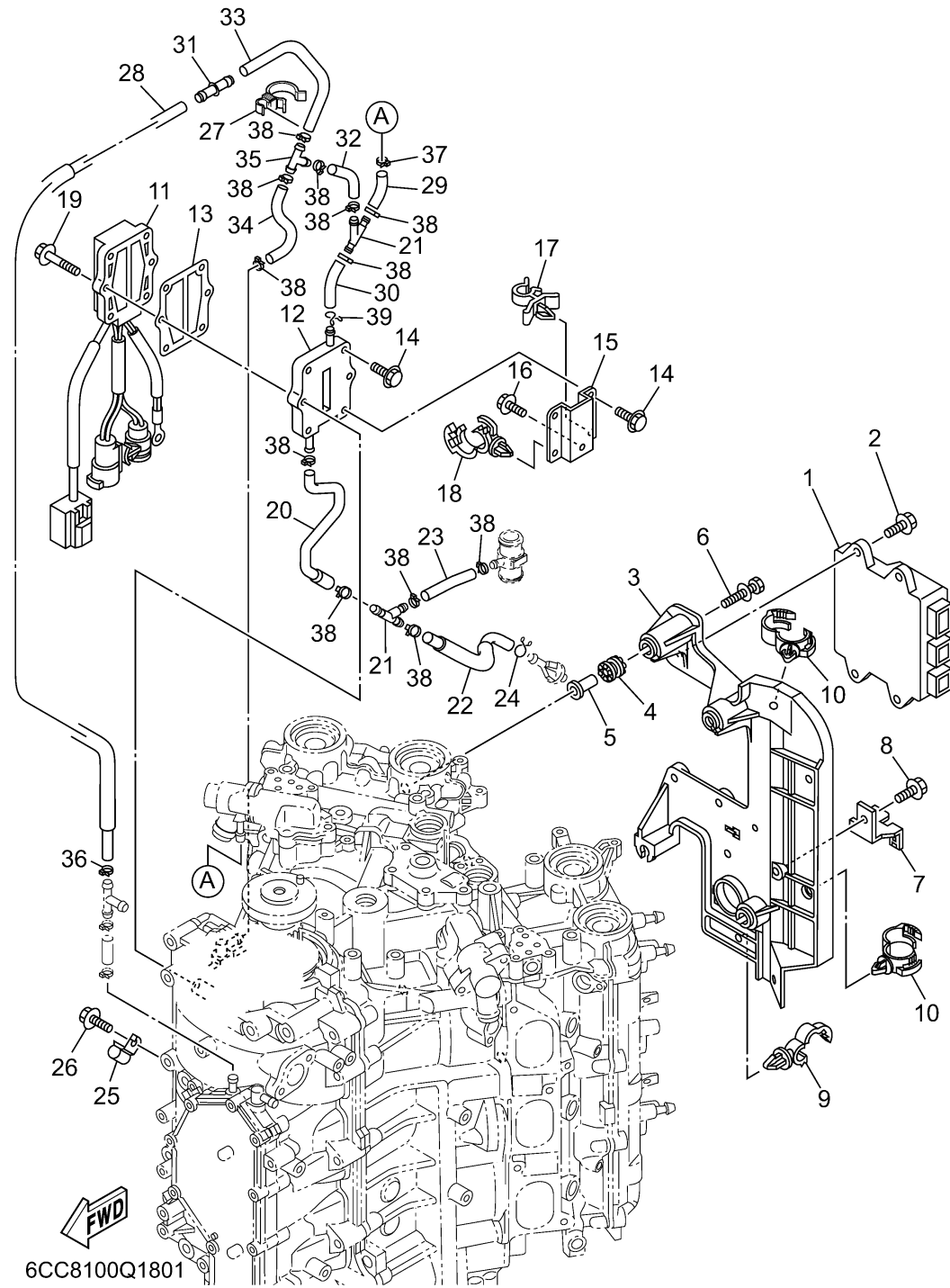
ELECTRICAL 1



Ref No.	Part Number	Description	Qty	Remarks
1	6HB-8591A-00-00	ENGINE CONTROL UNIT ASSY	1	
2	95D95-06020-00	BOLT, FLANGE DEEP RECESS	4	
3	6CB-82316-01-00	BRACKET, IGNITION COIL	1	
4	64J-85516-01-00	SPACER	4	
5	69M-42758-01-00	COLLAR	4	
6	90119-06293-00	BOLT, WITH WASHER	4	
7	6BR-81845-00-00	PLATE	1	
8	95D95-06012-00	BOLT, FLANGE DEEP RECESS	1	
9	90464-13249-00	CLAMP	1	
10	90464-20181-00	CLAMP	2	
11	6CB-81960-11-00	RECTIFIER & REGULATOR ASSY	1	
12	6CB-81972-00-9S	COVER, RECTIFIER	1	
13	69J-81975-A0-00	PLATE, RECTIFIER FITTING	1	
14	90119-06MA4-00	BOLT, WITH WASHER	4	
15	6CB-81975-00-00	PLATE, RECTIFIER FITTING	1	
16	95D95-06014-00	BOLT, FLANGE DEEP RECESS	1	
17	90464-09129-00	CLAMP	1	
18	90464-20181-00	CLAMP	1	
19	90119-06MA5-00	BOLT, WITH WASHER	2	
20	6CB-1248E-10-00	PIPE 9	1	

CONTINUED ON NEXT FRAME >

ELECTRICAL 1



Ref No.	Part Number	Description	Qty	Remarks
21	6CE-24377-00-00	PIPE, JOINT 2	2	
22	6CE-12483-00-00	PIPE 3	1	
23	90445-107A5-00	HOSE (L30)	1	
24	90467-08M18-00	CLIP	1	
25	90462-06013-00	CLAMP	1	
26	95023-06012-00	BOLT	1	
27	90464-26002-00	CLAMP	1	
28	6CE-12481-10-00	PIPE 1	1	
29	6CE-14872-00-00	PIPE 2	1	
30	6CE-14872-00-00	PIPE 2	1	
31	6CE-24376-01-00	PIPE, JOINT 1	1	
32	6CE-14872-00-00	PIPE 2	1	
33	6CB-12477-00-00	PIPE 7	1	
34	90445-09068-00	HOSE (L110)	1	
35	688-24378-00-00	PIPE, JOINT 3	1	
36	90465-11M10-00	CLAMP	1	
37	90465-11M10-00	CLAMP	1	
38	90465-11M10-00	CLAMP	12	
39	90467-08M18-00	CLIP	1	