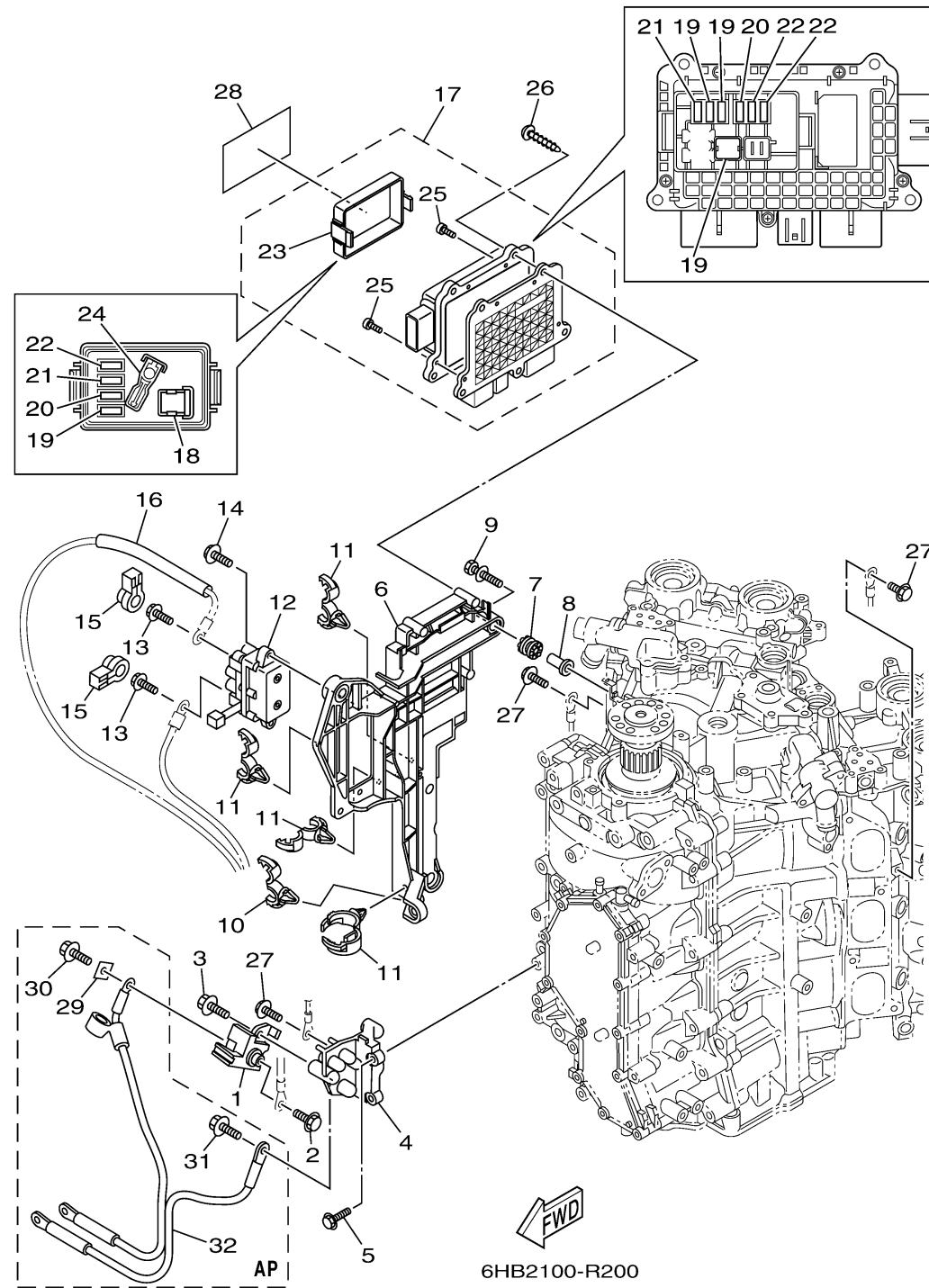


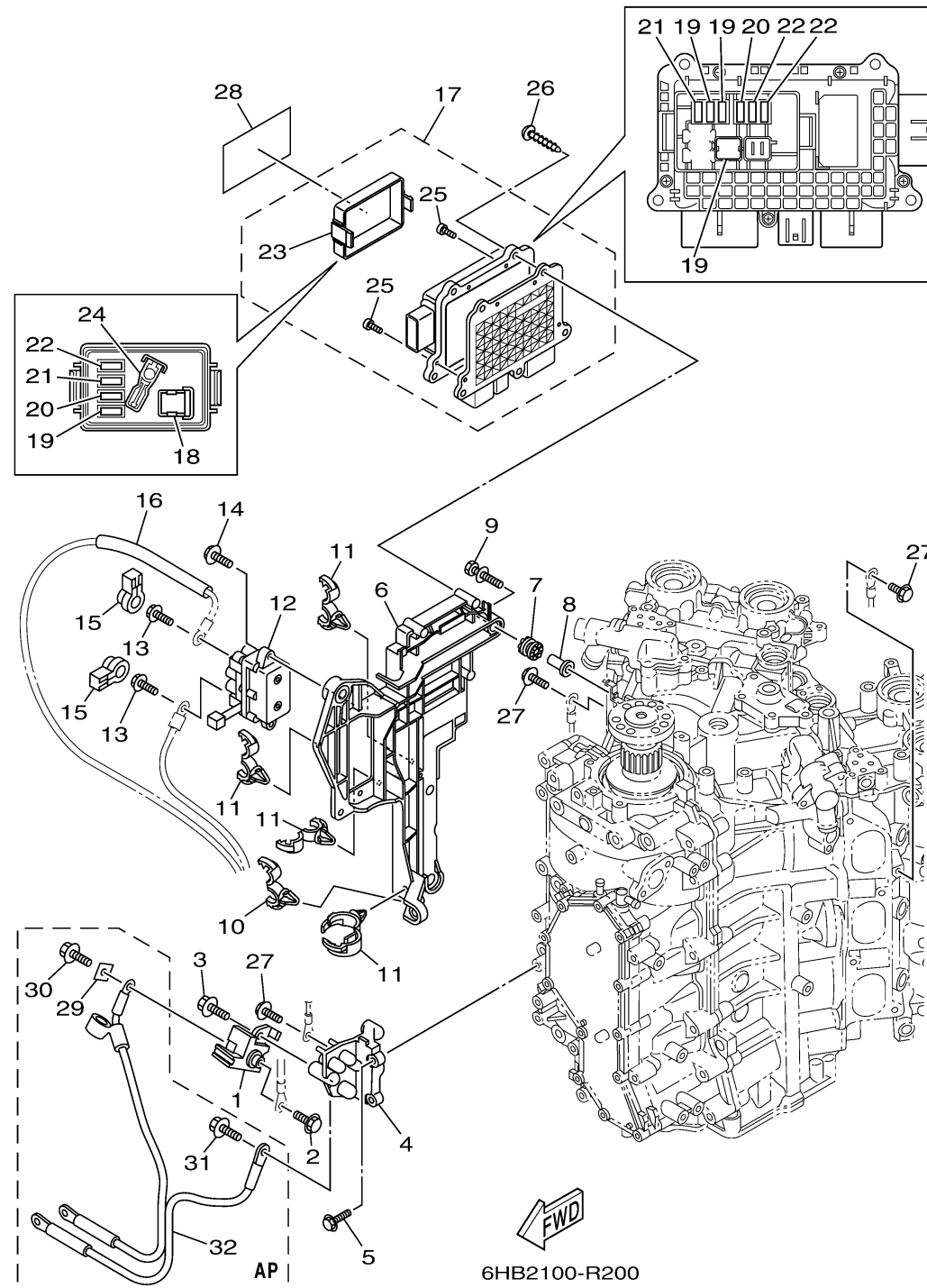
# ELECTRICAL 3



Ref No.	Part Number	Description	Qty	Remarks
1	6P2-81925-01-00	TERMINAL	1	
2	95D95-08016-00	BOLT, FLANGE DEEP RECESS	1	
3	95814-08020-00	BOLT, FLANGE	1	
4	6CB-81929-00-00	BRACKET, TERMINAL	1	
5	95D95-06020-00	BOLT, FLANGE DEEP RECESS	2	
6	6CB-81948-11-00	BRACKET	1	
7	64J-85516-01-00	SPACER	5	
8	69M-42758-01-00	COLLAR	5	
9	90119-06293-00	BOLT, WITH WASHER	5	
10	90464-13249-00	CLAMP	1	
11	90464-20181-00	CLAMP	4	
12	63P-W8195-00-00	RELAY ASSY	1	
13	97E95-06610-00	BOLT, HEXAGON W/W DEEP RECESS	2	
14	97513-06520-00	BOLT, WITH WASHER	2	
15	6P2-8183X-00-00	CAP, TERMINAL	2	
16	90446-15006-00	HOSE (L150)	1	
17	6CB-82170-12-00	FUSE BOX ASSY	1	
18	6CB-82151-41-00	..FUSE (60A)	2	
19	6CB-82151-00-00	..FUSE (10A)	3	
20	6CB-82151-10-00	..FUSE (15A)	2	

CONTINUED ON NEXT FRAME >

# ELECTRICAL 3



Ref No.	Part Number	Description	Qty	Remarks
21	6CB-82151-20-00	. .FUSE (20A)	2	
22	6CB-82151-30-00	. .FUSE (30A)	3	
23	6CB-85544-10-00	. .COVER	1	
24	6CB-2812A-00-00	. .PULLER, FUSE	1	
25	6P2-82113-00-00	. .SCREW (M3)	5	
26	97780-50620-00	SCREW, TAPPING	4	
27	97E95-06516-00	BOLT, HEXAGON W/W DEEP RECESS	5	
28	6CB-81919-31-00	GRAPHIC, REGULATOR	1	
29	6CB-81923-00-00	WASHER	1	AP
30	95D95-08016-00	BOLT, FLANGE DEEP RECESS	1	AP
31	95D95-08016-00	BOLT, FLANGE DEEP RECESS	1	AP
32	6CB-82105-03-00	BATTERY CABLE	1	AP