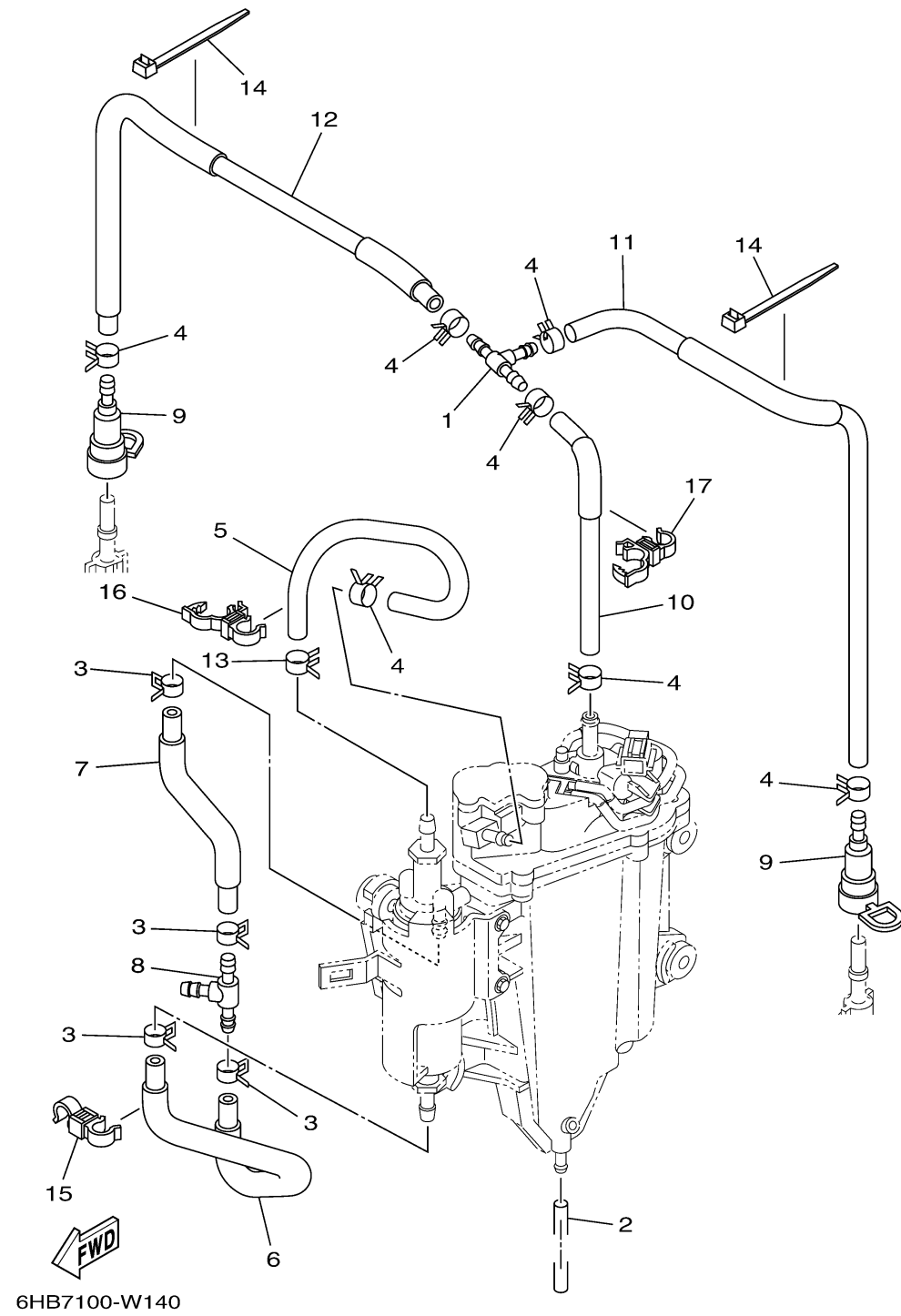


FUEL INJECTION PUMP 2



Ref No.	Part Number	Description	Qty	Remarks
1	6CB-24461-00-00	PIPE, JOINT	1	
2	6P2-14149-00-00	PIPE	1	
3	90467-141A2-00	CLIP	4	
4	68V-13577-01-00	CLIP	7	
5	6CB-24324-00-00	PIPE 13	1	
6	6CB-24317-00-00	PIPE 7	1	
7	6CB-24323-00-00	PIPE 12	1	
8	6E5-24378-00-00	PIPE, JOINT 3	1	
9	60E-24300-01-00	FUEL PIPE JOINT	2	
10	6CB-13971-01-00	PIPE, FUEL 1	1	
11	6CB-13974-01-00	PIPE, FUEL 4	1	
12	6CB-13972-00-00	PIPE, FUEL 2	1	
13	90467-140A9-00	CLIP	1	
14	90465-14M66-00	CLAMP	2	
15	90464-12009-00	CLAMP	1	
16	90464-12012-00	CLAMP	1	
17	90464-12012-00	CLAMP	1	