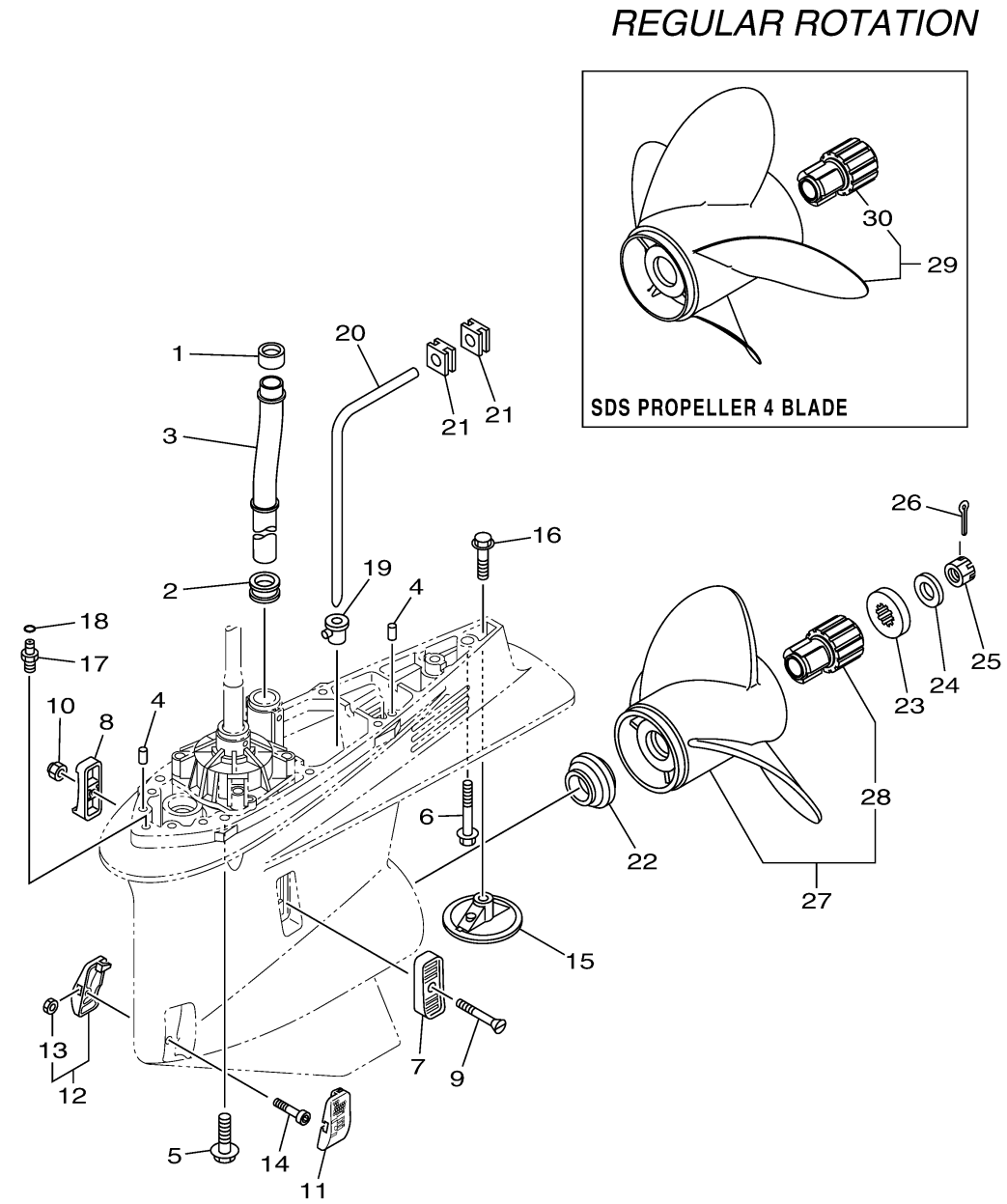


LOWER CASING DRIVE 2

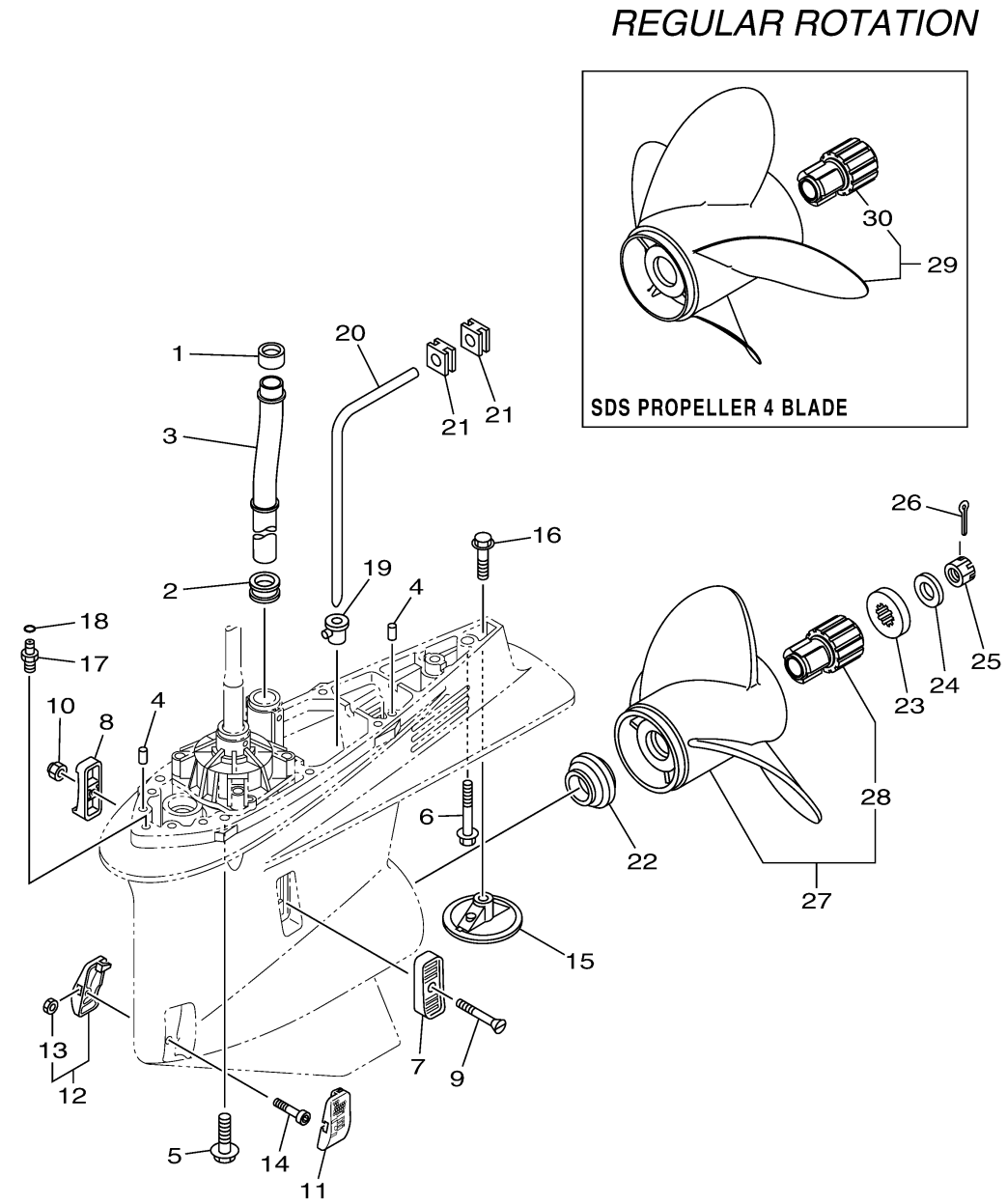


Ref No.	Part Number	Description	Qty	Remarks
1	6AW-44365-01-00	.DAMPER, WATER SEAL 1	1	
2	6AW-44366-01-00	.DAMPER, WATER SEAL 2	1	
3	6CE-44361-00-00	TUBE, WATER 1	1	
4	93608-16M16-00	PIN, DOWEL	2	
5	90119-10038-00	BOLT, WITH WASHER	7	
6	97E75-10570-00	BOLT, HEXAGON W/W DEEP RECESS	1	
7	6P2-45214-00-00	COVER, WATER INLET 1	1	
8	6P2-45215-00-00	COVER, WATER INLET 2	1	
9	90152-05M08-00	SCREW, COUNTERSUNK	1	
10	90185-05002-00	.NUT, NYLON	1	
11	6CE-45224-00-00	COVER, WATER INLET 3	1	
12	6CE-45225-00-00	COVER, WATER INLET 4	1	
13	90185-05002-00	.NUT, NYLON	1	
14	90110-05039-00	BOLT, HEXAGON SOCKET HEAD	1	
15	6CE-45373-00-00	ANODE	1	
16	90105-10M00-00	BOLT, FLANGE	1	
17	63P-45378-00-00	NIPPLE, HOSE	1	
18	93210-07003-00	O-RING	1	
19	6D0-44367-00-00	DAMPER, WATER SEAL 3	1	
20	6D0-44362-01-00	TUBE, WATER 2	1	

CONTINUED ON NEXT FRAME >


6HB4100-T350

LOWER CASING DRIVE 2

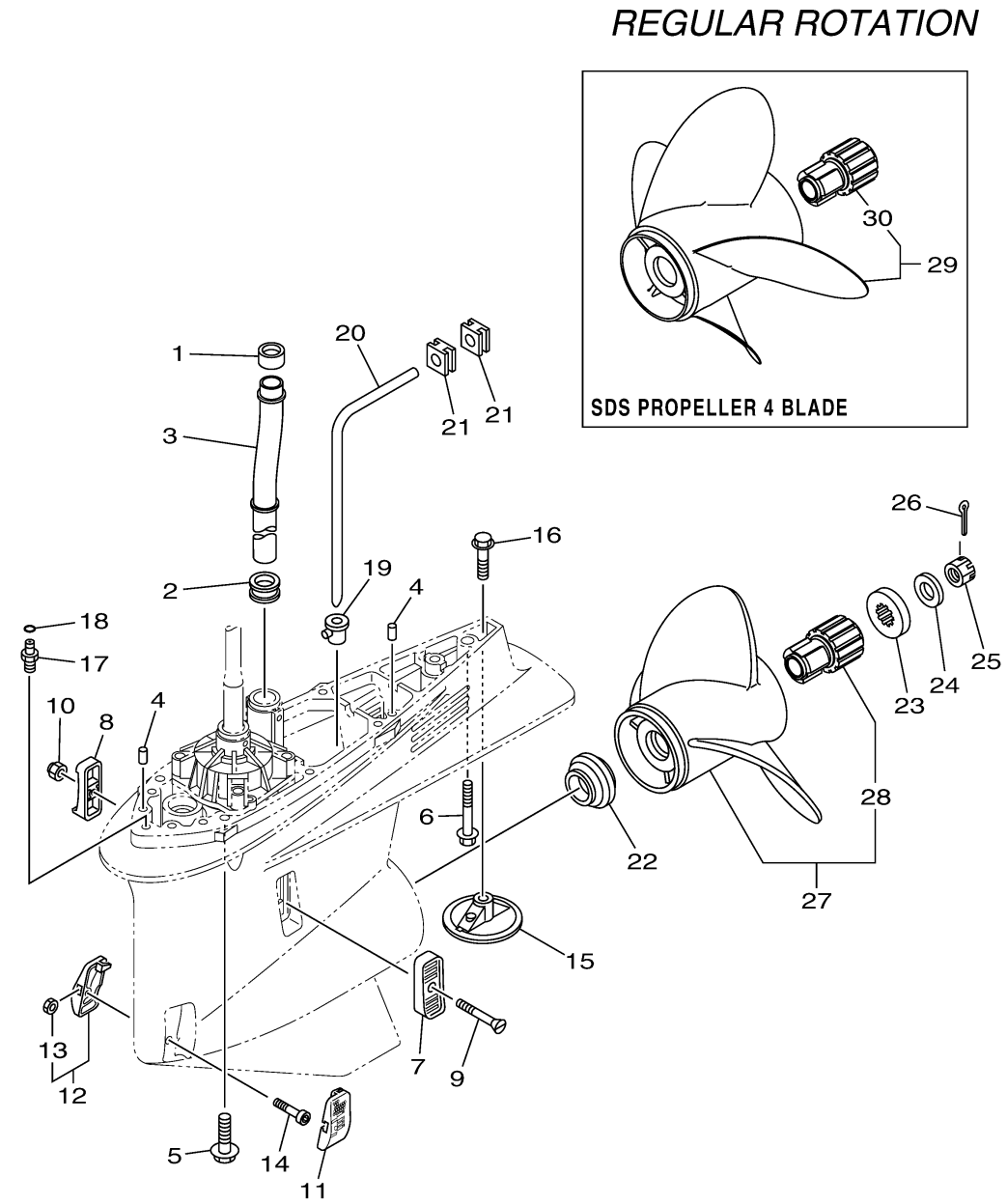


Ref No.	Part Number	Description	Qty	Remarks
21	6D0-44366-01-00	DAMPER, WATER SEAL 2	2	
22	69J-45987-00-00	SPACER 1	1	
23	688-45997-01-00	SPACER 2	1	
24	92990-18200-00	WASHER	1	
25	90171-18M04-00	NUT, CASTLE	1	
26	91490-40030-00	PIN. COTTER	1	
27	60H-45978-00-00	PROPELLER (3X14-1/4"X22"-M)	1	UR SDS 3 BLADE
27	60H-45976-00-00	PROPELLER (3X14-1/4"X20"-M)	1	UR SDS 3 BLADE
27	60H-45974-00-00	PROPELLER (3X14-1/4"X18"-M)	1	UR SDS 3 BLADE
27	60H-45972-00-00	PROPELLER (3X14-1/4"X16"-M)	1	UR SDS 3 BLADE
27	60H-45970-00-00	PROPELLER (3X14-1/4"X14"-M)	1	UR SDS 3 BLADE
27	6CE-45D70-20-00	PROPELLER (3X15-3/4"X14"-T)	1	UR SDS 3 BLADE
27	6CE-45D72-20-00	PROPELLER (3X14-3/4"X24"-T)	1	UR SDS 3 BLADE
27	6CE-45D74-20-00	PROPELLER (3X14-3/4"X25"-T)	1	UR SDS 3 BLADE
27	6CE-45936-20-00	PROPELLER (3X14-3/4"X22"-T)	1	UR SDS 3 BLADE
27	6CE-45932-20-00	PROPELLER (3X15"X20"-T)	1	UR SDS 3 BLADE
27	6CE-45934-20-00	PROPELLER (3X15-1/4"X18"-T)	1	UR SDS 3 BLADE
27	6CE-45938-20-00	PROPELLER (3X15-1/2"X16"-T)	1	UR SDS 3 BLADE
27	68F-45970-20-00	PROPELLER (3X14-1/2"X15"-M)	1	UR SDS 3 BLADE
27	68F-45972-20-00	PROPELLER (3X14-1/4"X17"-M)	1	UR SDS 3 BLADE

CONTINUED ON NEXT FRAME >


6HB4100-T350

LOWER CASING DRIVE 2




6HB4100-T350

Ref No.	Part Number	Description	Qty	Remarks
27	68F-45978-20-00	PROPELLER (3X14-1/4"X18"-M)	1	UR SDS 3 BLADE
27	68F-45974-20-00	PROPELLER (3X13-3/4"X19"-M)	1	UR SDS 3 BLADE
27	68F-45976-20-00	PROPELLER (3X13-3/4"X21"-M)	1	UR SDS 3 BLADE
27	6KA-45970-00-00	PROPELLER (3X15-1/4"X18"-T)	1	UR SDS 3 BLADE
27	6KA-45972-00-00	PROPELLER (3X15-1/4"X19"-T)	1	UR SDS 3 BLADE
27	6KA-45974-00-00	PROPELLER (3X15"X20"-T)	1	UR SDS 3 BLADE
27	6KA-45976-00-00	PROPELLER (3X15"X21"-T)	1	UR SDS 3 BLADE
27	68F-45932-20-00	PROPELLER (3X14-1/2"X13"-M)	1	UR SDS 3 BLADE
27	68F-45930-20-00	PROPELLER (3X14-1/2"X14"-M)	1	UR SDS 3 BLADE
27	6CE-45930-20-00	PROPELLER (3X15-3/4"X13"-T)	1	UR SDS 3 BLADE
27	6CE-45976-20-00	PROPELLER (3X15-3/4"X15"-T)	1	UR SDS 3 BLADE
27	6CE-45978-20-00	PROPELLER (3X15-1/2"X17"-T)	1	UR SDS 3 BLADE
27	6CE-45970-20-00	PROPELLER (3X15-1/4"X19"-T)	1	UR SDS 3 BLADE
27	6CE-45972-20-00	PROPELLER (3X15"X21"-T)	1	UR SDS 3 BLADE
27	6CE-45974-20-00	PROPELLER (3X14-3/4"X23"-T)	1	UR SDS 3 BLADE
28	6CE-45C81-10-00	..DAMPER RUBBER, PROPELLER 1	1	
29	6CE-45B70-20-00	PROPELLER (4X15"X21"-T)	1	UR SDS 4 BLADE
29	6CE-45B72-20-00	PROPELLER (4X15"X22"-T)	1	UR SDS 4 BLADE
29	6CE-45B74-20-00	PROPELLER (4X15"X23"-T)	1	UR SDS 4 BLADE
30	6CE-45C81-10-00	..DAMPER RUBBER, PROPELLER 1	1	