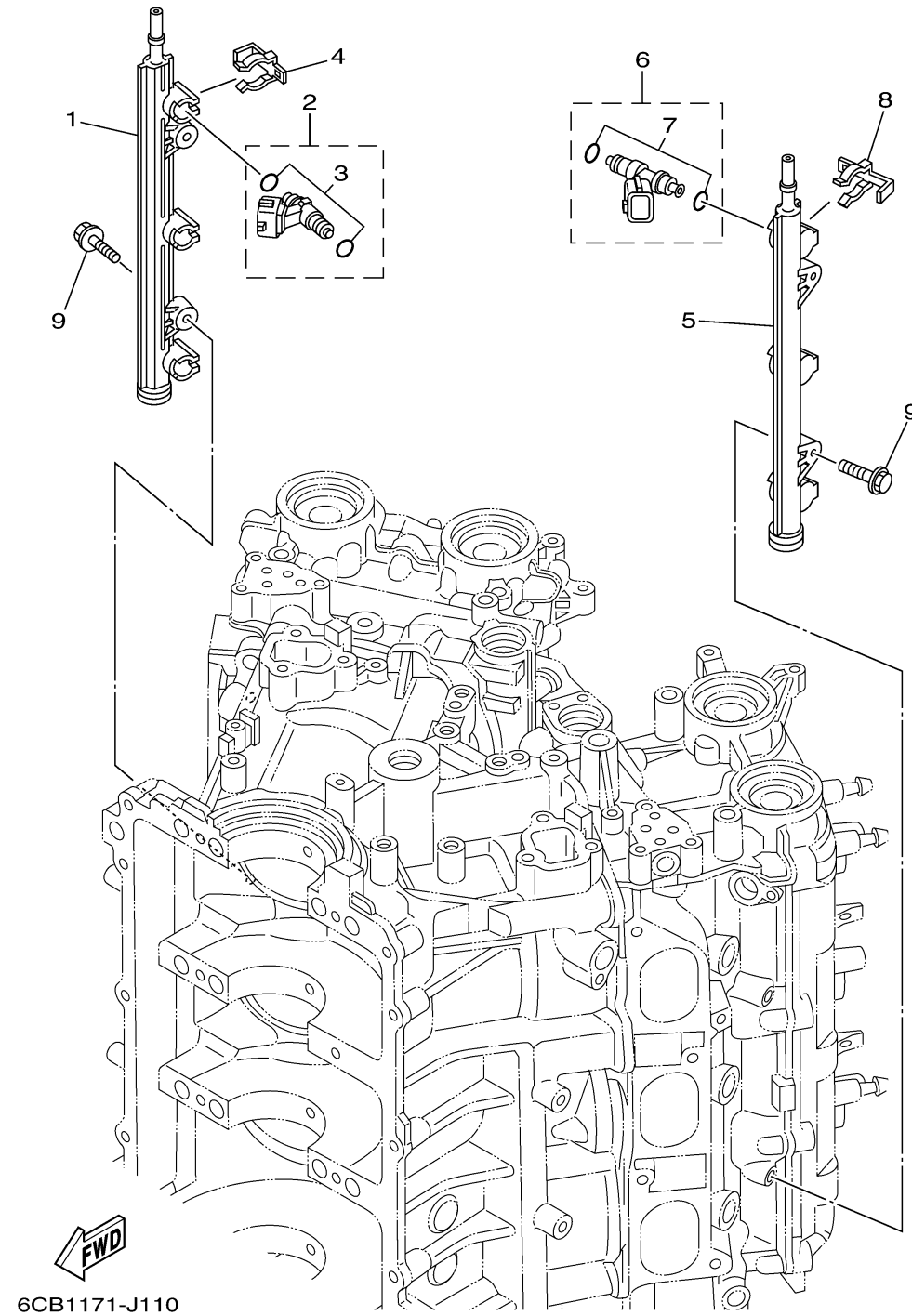


THROTTLE BODY ASSY 2



Ref No.	Part Number	Description	Qty	Remarks
1	6CB-13161-11-00	PIPE, DELIVERY 1	1	
2	6AW-13761-01-00	INJECTOR	3	
3	6AW-1410B-00-00	. .PACKING KIT	1	
4	6CB-13577-00-00	CLIP	3	
5	6CB-13171-11-00	PIPE, DELIVERY 2	1	
6	6AW-13761-01-00	INJECTOR	3	
7	6AW-1410B-00-00	. .PACKING KIT	1	
8	6CB-13577-00-00	CLIP	3	
9	90119-06047-00	BOLT, WITH WASHER	4	