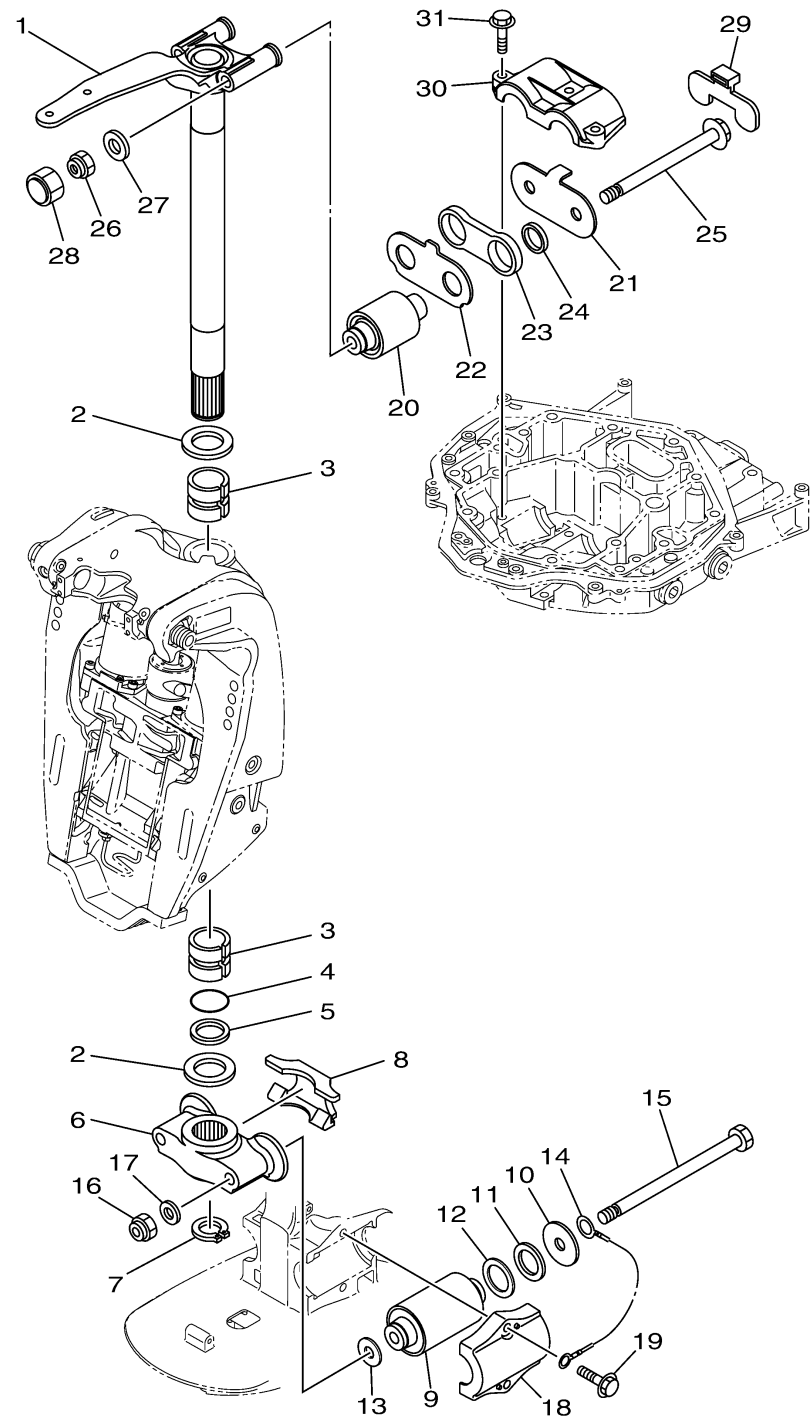


BRACKET 3

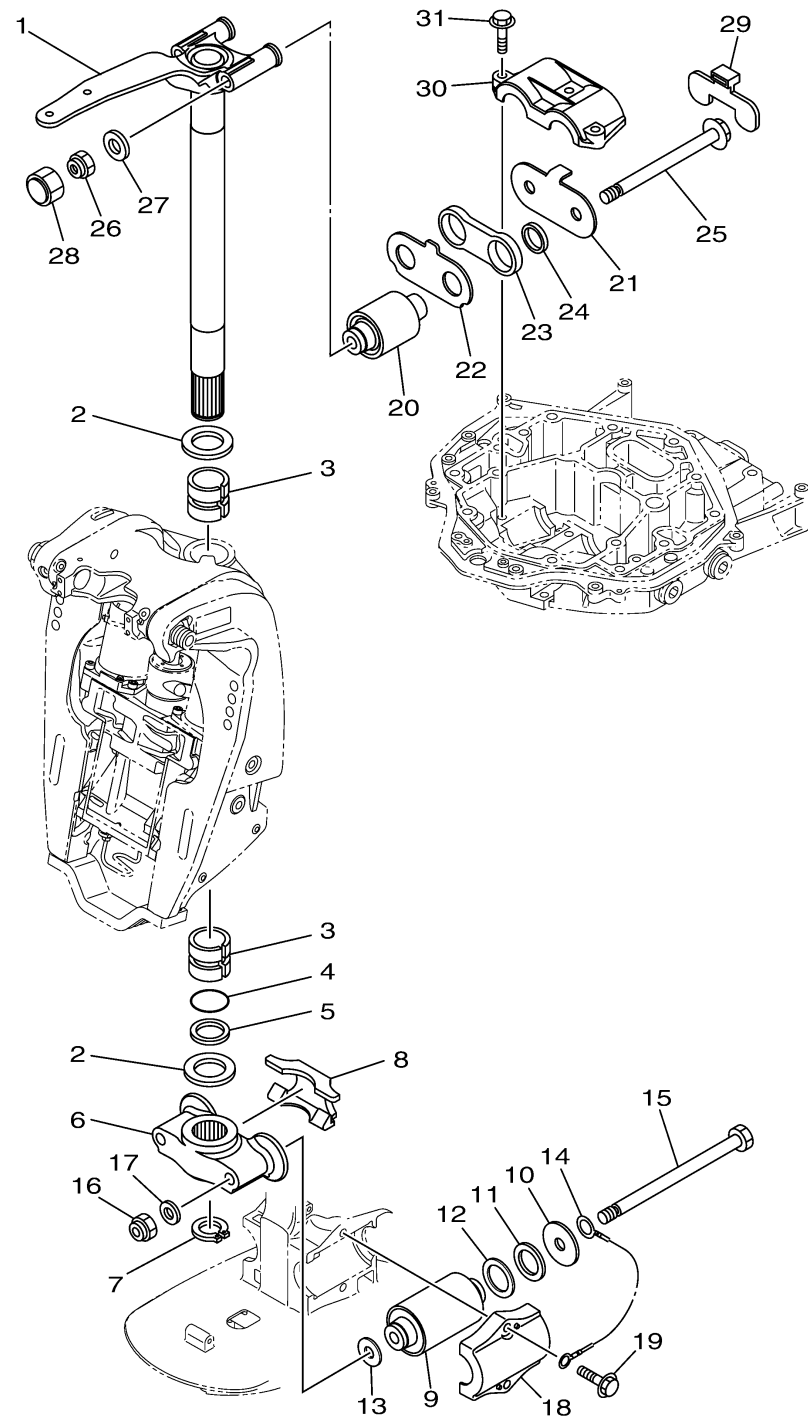


Ref No.	Part Number	Description	Qty	Remarks
1	6CE-42510-00-8D	STEERING BRACKET ASSY	1	GRAY
1	6CE-42510-00-CE	STEERING BRACKET ASSY	0	WHITE
2	90201-40M00-00	WASHER, PLATE	2	
3	90386-39M89-00	BUSH	2	
4	93210-35321-00	O-RING	1	
5	90202-40M47-00	WASHER, PLATE	1	
6	6CE-44551-00-CA	HOUSING, LOWER MOUNT RUBBER 1	1	
7	93410-36102-00	CIRCLIP	1	
8	6CE-44574-00-00	STOPPER, LOWER MOUNT RUBBER	1	
9	6KA-44555-00-00	MOUNT DAMPER, LOWER SIDE	2	
10	90201-16032-00	WASHER, PLATE	2	
11	90202-32M19-00	WASHER, PLATE	2	
12	90201-35008-00	WASHER, PLATE	2	
13	90201-15M58-00	WASHER, PLATE	2	
14	6AW-82149-00-00	WIRE, LEAD 3	1	
15	90101-14004-00	BOLT	2	
16	90185-14M00-00	NUT, SELF-LOCKING	2	
17	92995-14600-00	WASHER	2	
18	6AW-44552-00-CA	HOUSING, LOWER MOUNT RUBBER 2	2	
19	90119-10024-00	BOLT, WITH WASHER	4	

CONTINUED ON NEXT FRAME >

BRACKET 3

Ref No.	Part Number	Description	Qty	Remarks
20	6CE-44514-00-00	MOUNT DAMPER, UPPER SIDE	2	
21	6CE-44526-00-00	PLATE	1	
22	6CE-44536-00-00	PLATE 2	1	
23	6CE-44532-01-00	STOPPER, UPPER MOUNT	1	
24	90387-28013-00	COLLAR	2	
25	90105-14005-00	BOLT, FLANGE	2	
26	90185-14M00-00	NUT, SELF-LOCKING	2	
27	92995-14600-00	WASHER	2	
28	6CE-44194-01-00	CAP	2	
29	6CE-44533-00-00	DAMPER, UPPER MOUNT RUBBER	1	
30	6CE-44511-00-00	COVER, UPPER MOUNT	1	
31	90119-10024-00	BOLT, WITH WASHER	3	



6KF1100-V310