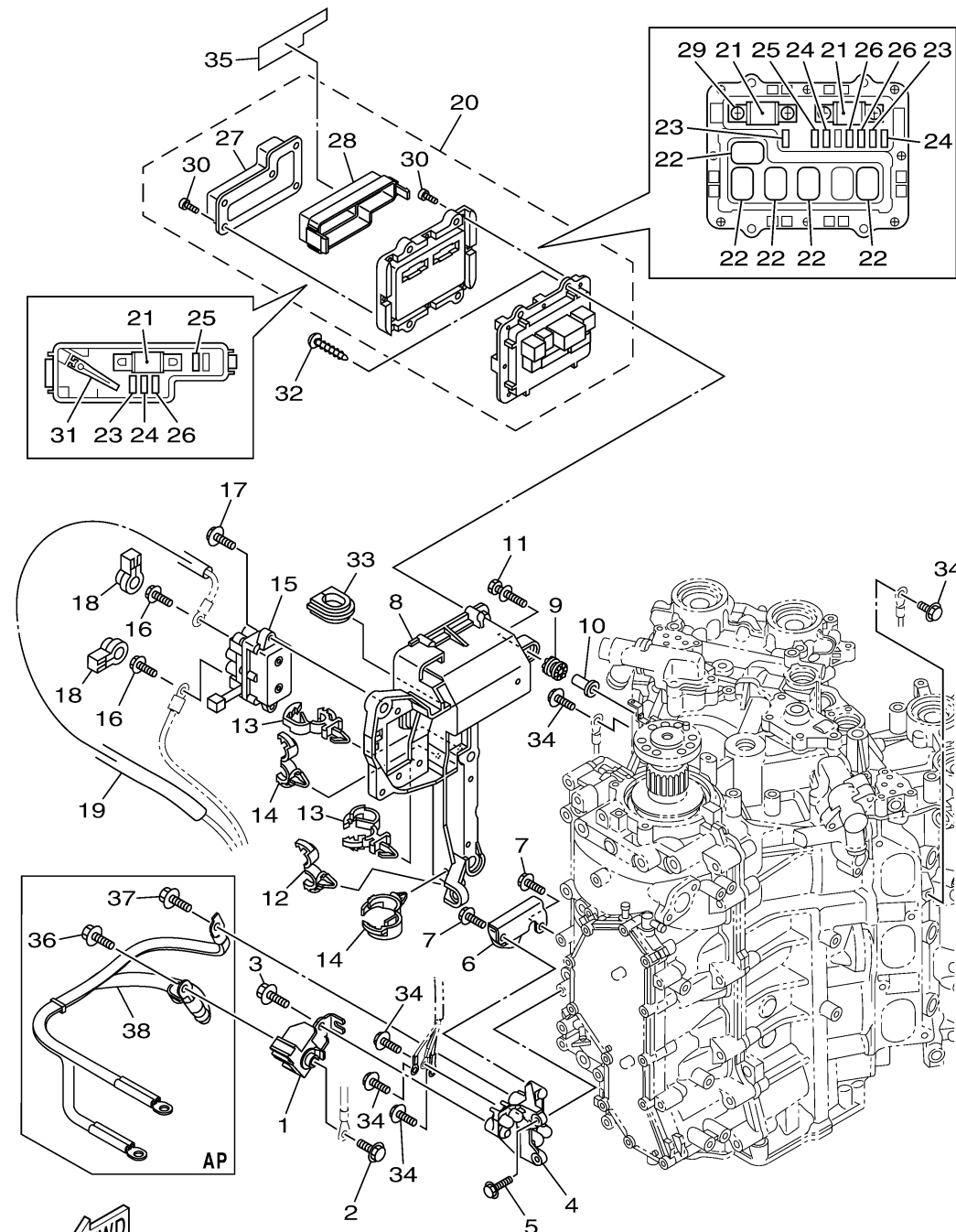


ELECTRICAL 3

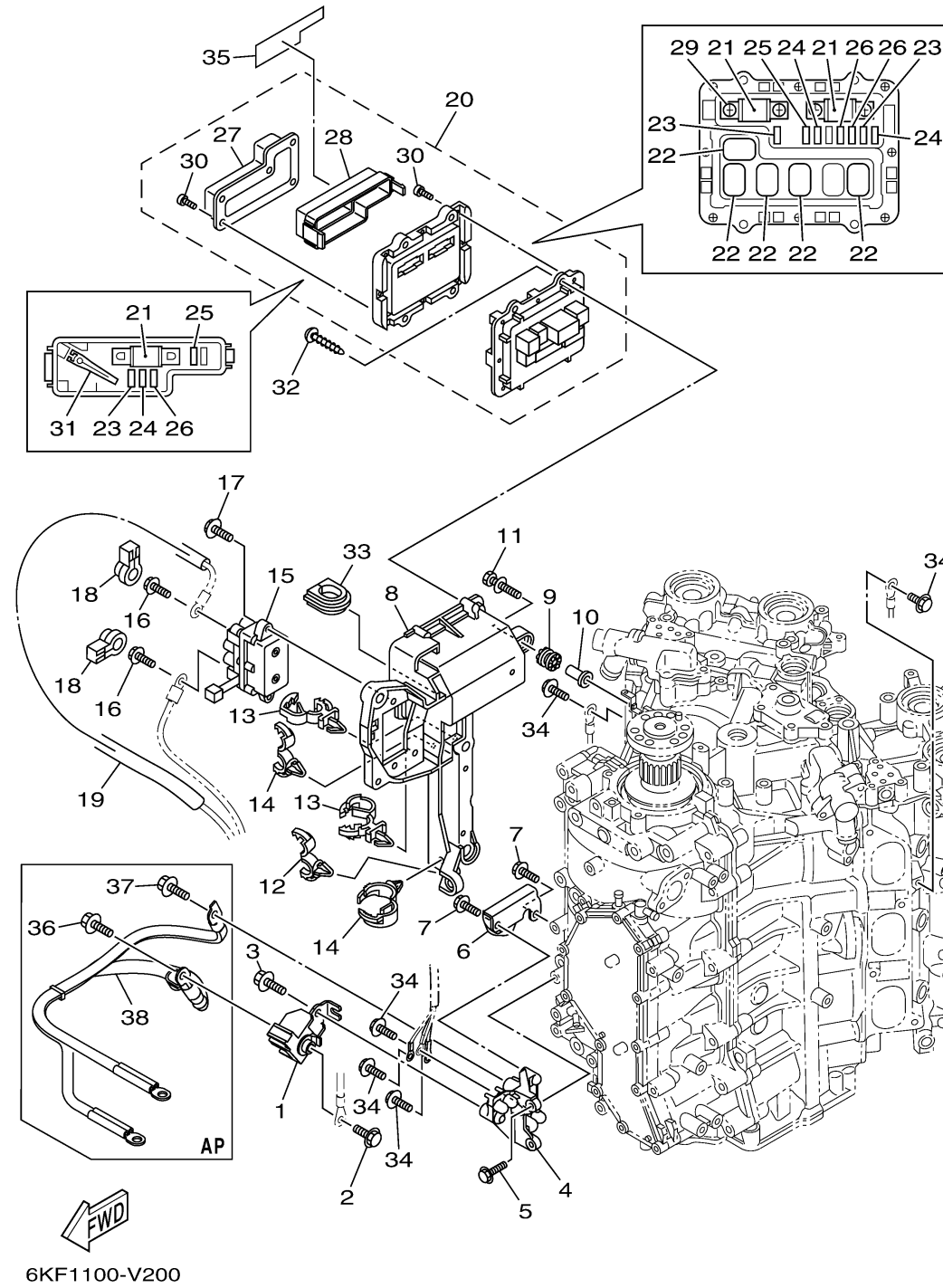


6KF1100-V200

Ref No.	Part Number	Description	Qty	Remarks
1	6KF-81925-00-00	TERMINAL	1	
2	95D95-08016-00	BOLT, FLANGE DEEP RECESS	1	
3	95814-08020-00	BOLT, FLANGE	1	
4	6KA-81929-00-00	BRACKET, TERMINAL	1	
5	95D95-06020-00	BOLT, FLANGE DEEP RECESS	2	
6	6KA-82588-00-00	PLATE	1	
7	95D95-06016-00	BOLT, FLANGE DEEP RECESS	2	
8	6CB-81948-02-00	BRACKET	1	
9	64J-85516-01-00	SPACER	5	
10	69M-42758-01-00	COLLAR	5	
11	90119-06293-00	BOLT, WITH WASHER	5	
12	90464-13249-00	CLAMP	1	
13	90464-12183-00	CLAMP	2	
14	90464-20181-00	CLAMP	2	
15	6AW-W8195-10-00	RELAY ASSY	1	
16	97E95-06610-00	BOLT, HEXAGON W/W DEEP RECESS	2	
17	97513-06520-00	BOLT, WITH WASHER	2	
18	6P2-8183X-00-00	CAP, TERMINAL	2	
19	90446-15006-00	HOSE (L150)	1	
20	6CE-82170-11-00	FUSE BOX ASSY	1	

CONTINUED ON NEXT FRAME >

ELECTRICAL 3



Ref No.	Part Number	Description	Qty	Remarks
21	6CE-82151-00-00	. .FUSE (100A)	3	
22	6AW-8195A-00-00	. .RELAY ASSY	5	
23	67F-82151-40-00	. .FUSE (10A)	3	
24	67F-82151-50-00	. .FUSE (15A)	3	
25	67F-82151-00-00	. .FUSE (20A)	2	
26	67F-82151-10-00	. .FUSE (30A)	3	
27	6CB-81639-10-00	. .COVER	1	
28	6CB-85544-00-00	. .CASE	1	
29	68F-82846-00-00	. .SCREW, PAN HEAD (M5)	4	
30	6P2-82113-00-00	. .SCREW (M3)	13	
31	67F-2812A-00-00	. .PULLER, FUSE	1	
32	97780-50620-00	SCREW, TAPPING	4	
33	6P2-81336-01-00	GROMMET	1	
34	97E95-06516-00	BOLT, HEXAGON W/W DEEP RECESS	5	
35	6CE-81919-21-00	GRAPHIC, REGULATOR	1	
36	97E95-08516-00	BOLT, HEXAGON W/W DEEP RECESS	1	AP
37	97E95-08516-00	BOLT, HEXAGON W/W DEEP RECESS	1	AP
38	6KA-82105-00-00	WIRE HARNESS	1	AP