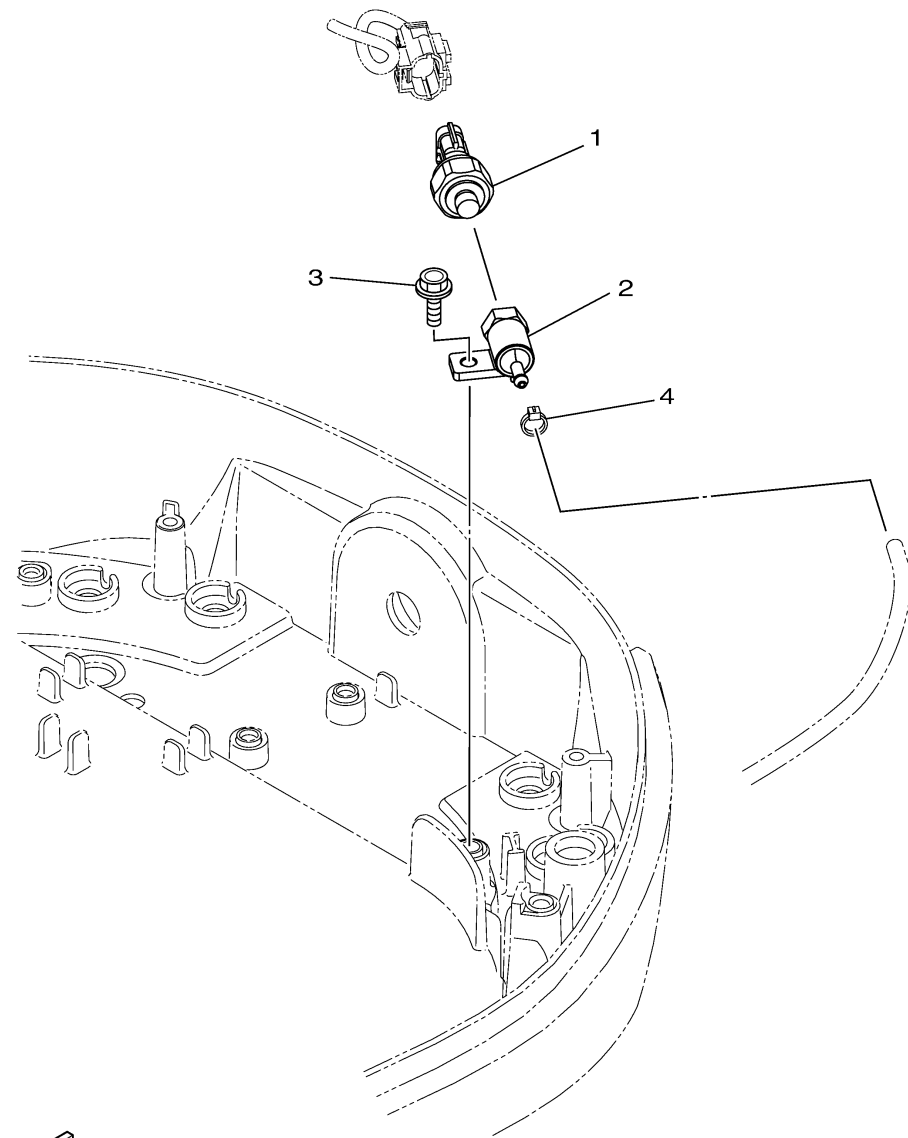


ELECTRICAL 6

Ref No.	Part Number	Description	Qty	Remarks
1	6AW-8366B-10-00	SENSOR, WATER PRESSURE	1	FOR LAN SPEED
2	60V-8366D-00-00	ADAPTOR, INPUT	1	FOR LAN SPEED
3	95D95-06016-00	BOLT, FLANGE DEEP RECESS	1	FOR LAN SPEED
4	90465-11M10-00	CLAMP	1	FOR LAN SPEED



6KA1100-V240