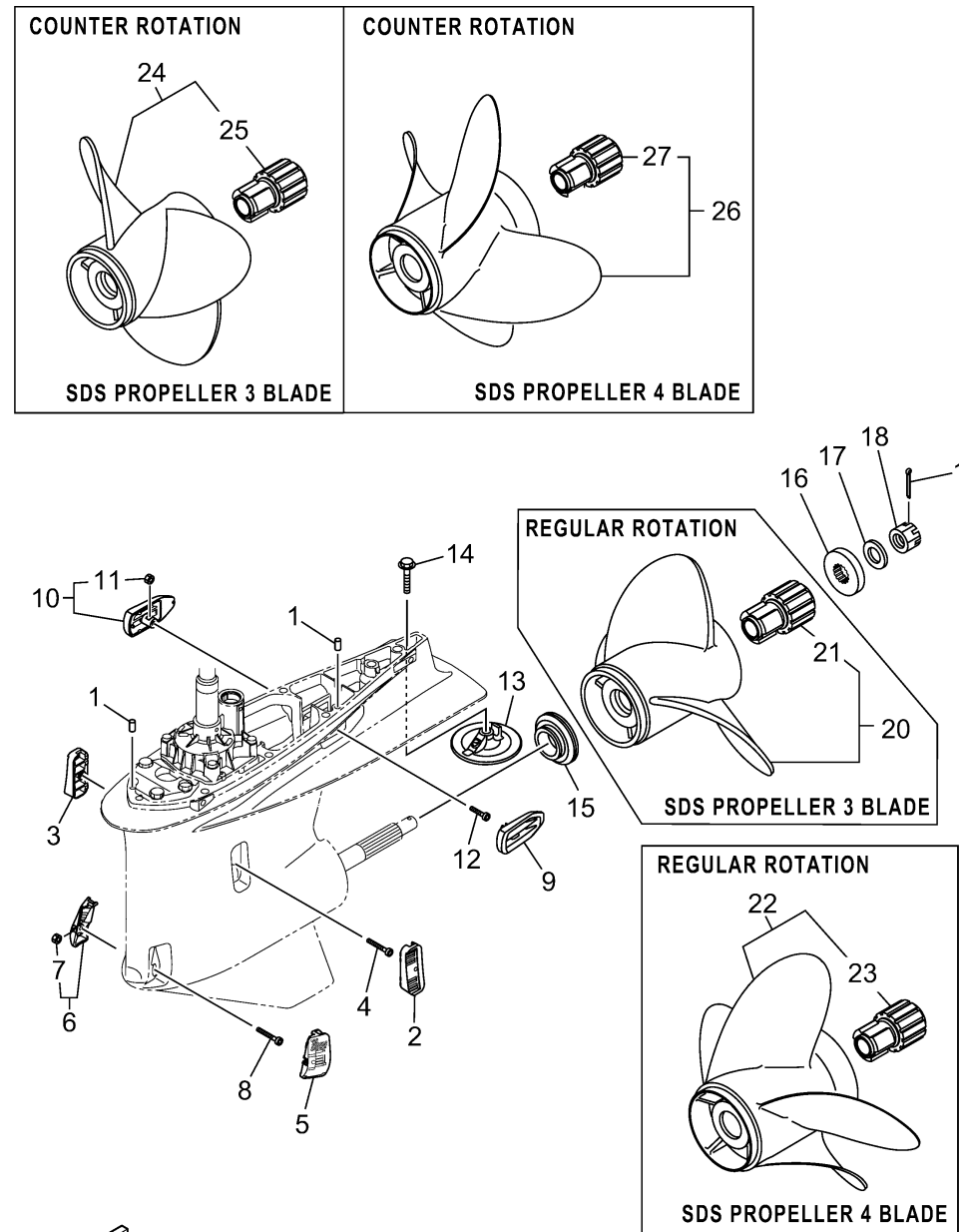


# OPTIONAL PARTS 5

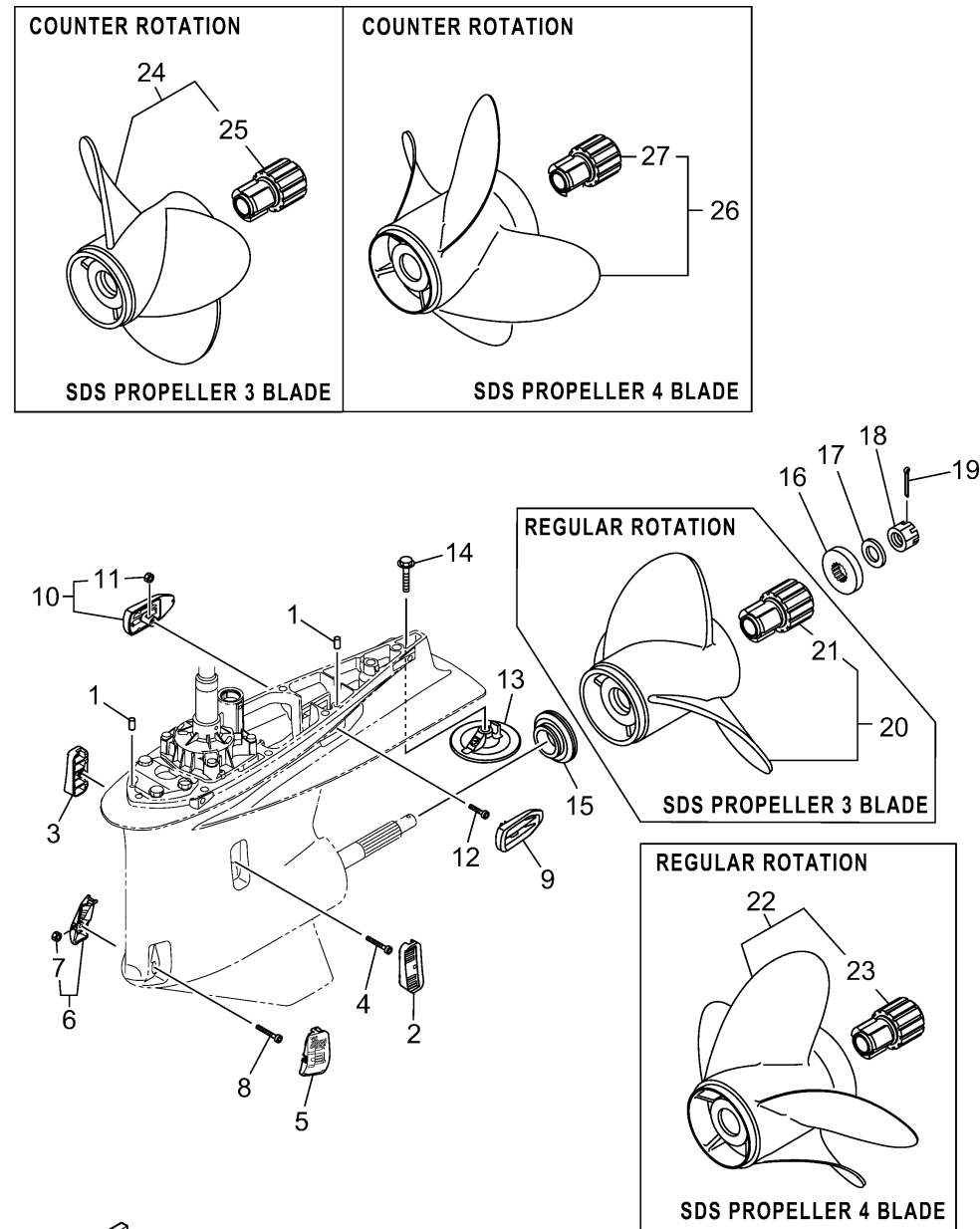


6KK5100-Z430

| Ref No. | Part Number     | Description                 | Qty | Remarks           |
|---------|-----------------|-----------------------------|-----|-------------------|
| 1       | 93608-16M16-00  | PIN, DOWEL                  | 0   |                   |
| 2       | 6KA-45214-00-00 | COVER, WATER INLET 1        | 0   |                   |
| 3       | 6KA-45215-00-00 | COVER, WATER INLET 2        | 0   |                   |
| 4       | 90110-05039-00  | BOLT, HEXAGON SOCKET HEAD   | 0   |                   |
| 5       | 6CE-45224-00-00 | COVER, WATER INLET 3        | 0   |                   |
| 6       | 6CE-45225-00-00 | COVER, WATER INLET 4        | 0   |                   |
| 7       | 90185-05002-00  | ..NUT, NYLON                | 0   |                   |
| 8       | 90110-05039-00  | BOLT, HEXAGON SOCKET HEAD   | 0   |                   |
| 9       | 6KA-45254-00-00 | COVER, OUTLET 1             | 0   |                   |
| 10      | 6KA-45255-00-00 | COVER, OUTLET 2             | 0   |                   |
| 11      | 90185-05002-00  | ..NUT, NYLON                | 0   |                   |
| 12      | 91380-05020-00  | BOLT                        | 0   |                   |
| 13      | 6CE-45373-00-00 | ANODE                       | 0   |                   |
| 14      | 90105-10M00-00  | BOLT, FLANGE                | 0   |                   |
| 15      | 69J-45987-00-00 | SPACER 1                    | 0   |                   |
| 16      | 688-45997-01-00 | SPACER 2                    | 0   |                   |
| 17      | 92990-18200-00  | WASHER                      | 0   |                   |
| 18      | 90171-18M04-00  | NUT, CASTLE                 | 0   |                   |
| 19      | 91490-40030-00  | PIN. COTTER                 | 0   |                   |
| 20      | 68F-45970-20-00 | PROPELLER (3X14-1/2"X15"-M) | 0   | UR RH SDS 3 BLADE |

CONTINUED ON NEXT FRAME >

# OPTIONAL PARTS 5

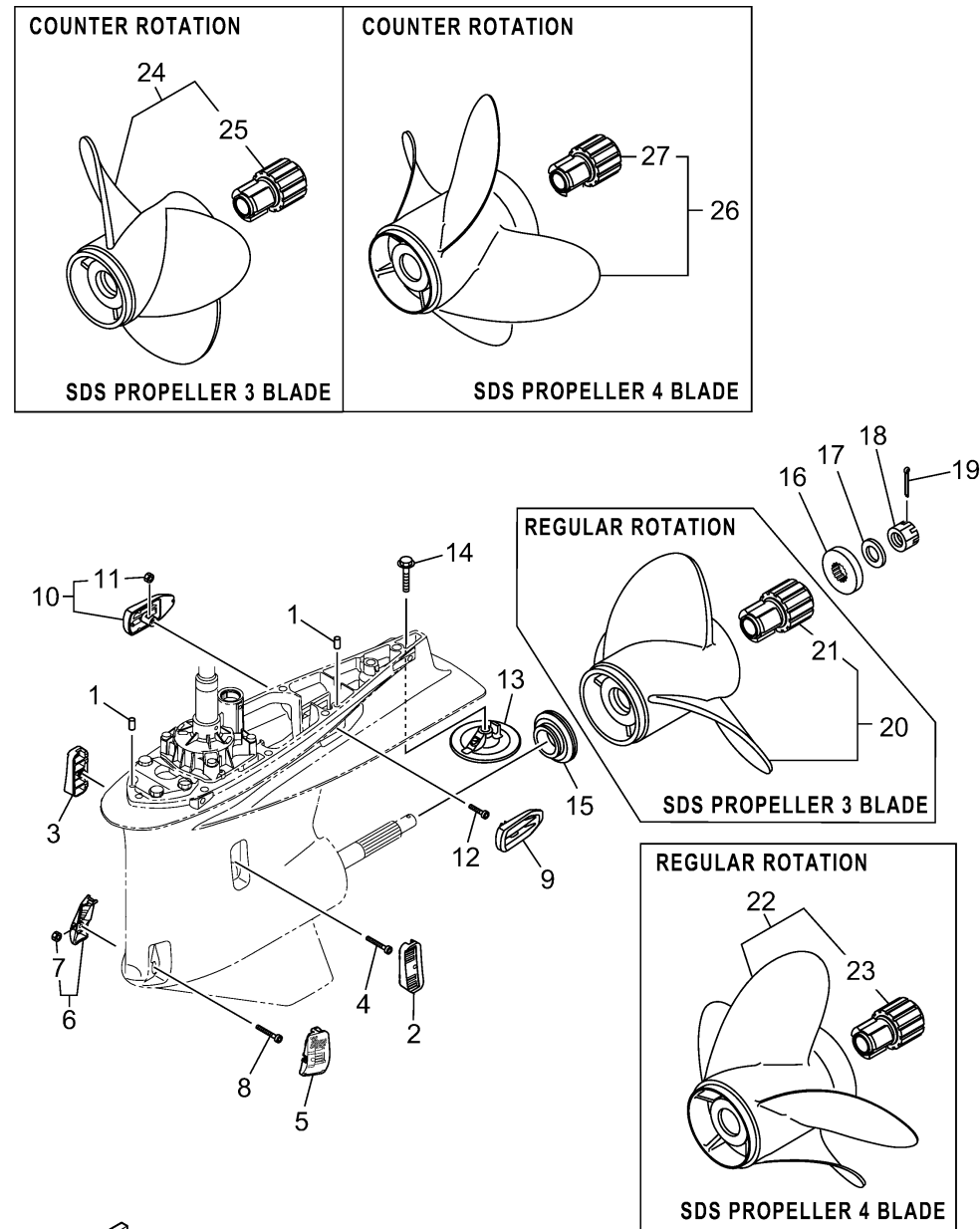


6KK5100-Z430

| Ref No. | Part Number     | Description                 | Qty | Remarks           |
|---------|-----------------|-----------------------------|-----|-------------------|
| 20      | 68F-45972-20-00 | PROPELLER (3X14-1/4"X17"-M) | 0   | UR RH SDS 3 BLADE |
| 20      | 68F-45978-20-00 | PROPELLER (3X14-1/4"X18"-M) | 0   | UR RH SDS 3 BLADE |
| 20      | 68F-45974-20-00 | PROPELLER (3X13-3/4"X19"-M) | 0   | UR RH SDS 3 BLADE |
| 20      | 68F-45976-20-00 | PROPELLER (3X13-3/4"X21"-M) | 0   | UR RH SDS 3 BLADE |
| 20      | 68F-45932-20-00 | PROPELLER (3X14-1/2"X13"-M) | 0   | UR RH SDS 3 BLADE |
| 20      | 68F-45930-20-00 | PROPELLER (3X14-1/2"X14"-M) | 0   | UR RH SDS 3 BLADE |
| 20      | 6CE-45930-20-00 | PROPELLER (3X15-3/4"X13"-T) | 0   | UR RH SDS 3 BLADE |
| 20      | 6CE-45976-20-00 | PROPELLER (3X15-3/4"X15"-T) | 0   | UR RH SDS 3 BLADE |
| 20      | 6CE-45978-20-00 | PROPELLER (3X15-1/2"X17"-T) | 0   | UR RH SDS 3 BLADE |
| 20      | 6CE-45970-20-00 | PROPELLER (3X15-1/4"X19"-T) | 0   | UR RH SDS 3 BLADE |
| 20      | 6CE-45972-20-00 | PROPELLER (3X15"X21"-T)     | 0   | UR RH SDS 3 BLADE |
| 20      | 6CE-45974-20-00 | PROPELLER (3X14-3/4"X23"-T) | 0   | UR RH SDS 3 BLADE |
| 20      | 6CE-45D70-20-00 | PROPELLER (3X15-3/4"X14"-T) | 0   | UR RH SDS 3 BLADE |
| 20      | 6CE-45D72-20-00 | PROPELLER (3X14-3/4"X24"-T) | 0   | UR RH SDS 3 BLADE |
| 20      | 6CE-45D74-20-00 | PROPELLER (3X14-3/4"X25"-T) | 0   | UR RH SDS 3 BLADE |
| 20      | 60H-45970-00-00 | PROPELLER (3X14-1/4"X14"-M) | 0   | UR RH SDS 3 BLADE |
| 20      | 60H-45972-00-00 | PROPELLER (3X14-1/4"X16"-M) | 0   | UR RH SDS 3 BLADE |
| 20      | 60H-45974-00-00 | PROPELLER (3X14-1/4"X18"-M) | 0   | UR RH SDS 3 BLADE |
| 20      | 60H-45976-00-00 | PROPELLER (3X14-1/4"X20"-M) | 0   | UR RH SDS 3 BLADE |
| 20      | 60H-45978-00-00 | PROPELLER (3X14-1/4"X22"-M) | 0   | UR RH SDS 3 BLADE |

CONTINUED ON NEXT FRAME >

# OPTIONAL PARTS 5

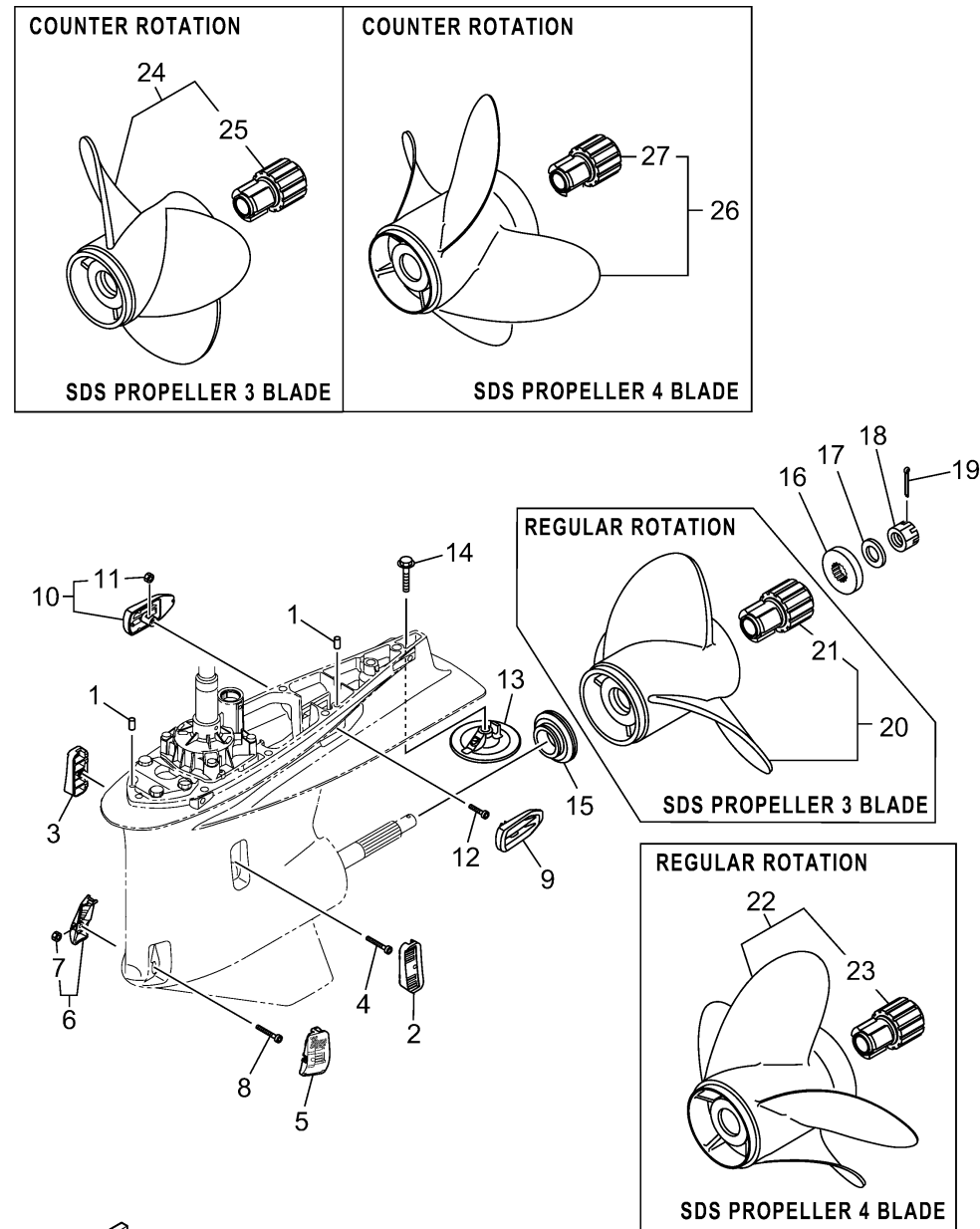


6KK5100-Z430

| Ref No. | Part Number     | Description                   | Qty | Remarks           |
|---------|-----------------|-------------------------------|-----|-------------------|
| 20      | 6KA-45970-00-00 | PROPELLER (3X15-1/4"X18"-T)   | 0   | UR RH SDS 3 BLADE |
| 20      | 6KA-45972-00-00 | PROPELLER (3X15-1/4"X19"-T)   | 0   | UR RH SDS 3 BLADE |
| 20      | 6KA-45974-00-00 | PROPELLER (3X15"X20"-T)       | 0   | UR RH SDS 3 BLADE |
| 20      | 6KA-45976-00-00 | PROPELLER (3X15"X21"-T)       | 0   | UR RH SDS 3 BLADE |
| 20      | 6CE-45938-20-00 | PROPELLER (3X15-1/2"X16"-T)   | 0   | UR RH SDS 3 BLADE |
| 20      | 6CE-45934-20-00 | PROPELLER (3X15-1/4"X18"-T)   | 0   | UR RH SDS 3 BLADE |
| 20      | 6CE-45932-20-00 | PROPELLER (3X15"X20"-T)       | 0   | UR RH SDS 3 BLADE |
| 20      | 6CE-45936-20-00 | PROPELLER (3X14-3/4"X22"-T)   | 0   | UR RH SDS 3 BLADE |
| 21      | 6CE-45C81-10-00 | . .DAMPER RUBBER, PROPELLER 1 | 0   |                   |
| 22      | 6CE-45B70-20-00 | PROPELLER (4X15"X21"-T)       | 0   | UR RH SDS 4 BLADE |
| 22      | 6CE-45B72-20-00 | PROPELLER (4X15"X22"-T)       | 0   | UR RH SDS 4 BLADE |
| 22      | 6CE-45B74-20-00 | PROPELLER (4X15"X23"-T)       | 0   | UR RH SDS 4 BLADE |
| 23      | 6CE-45C81-10-00 | . .DAMPER RUBBER, PROPELLER 1 | 0   |                   |
| 24      | 6CF-45930-20-00 | PROPELLER (3X15-3/4"X13"-TL)  | 0   | UR LH SDS 3 BLADE |
| 24      | 6CF-45976-20-00 | PROPELLER (3X15-3/4"X15"-TL)  | 0   | UR LH SDS 3 BLADE |
| 24      | 6CF-45978-20-00 | PROPELLER (3X15-1/2"X17"-TL)  | 0   | UR LH SDS 3 BLADE |
| 24      | 6CF-45970-20-00 | PROPELLER (3X15-1/4"X19"-TL)  | 0   | UR LH SDS 3 BLADE |
| 24      | 6CF-45972-20-00 | PROPELLER (3X15"X21"-TL)      | 0   | UR LH SDS 3 BLADE |
| 24      | 6CF-45974-20-00 | PROPELLER (3X14-3/4"X23"-TL)  | 0   | UR LH SDS 3 BLADE |
| 24      | 6CF-45934-20-00 | PROPELLER (3X15-1/4"X18"-TL)  | 0   | UR LH SDS 3 BLADE |

CONTINUED ON NEXT FRAME >

# OPTIONAL PARTS 5



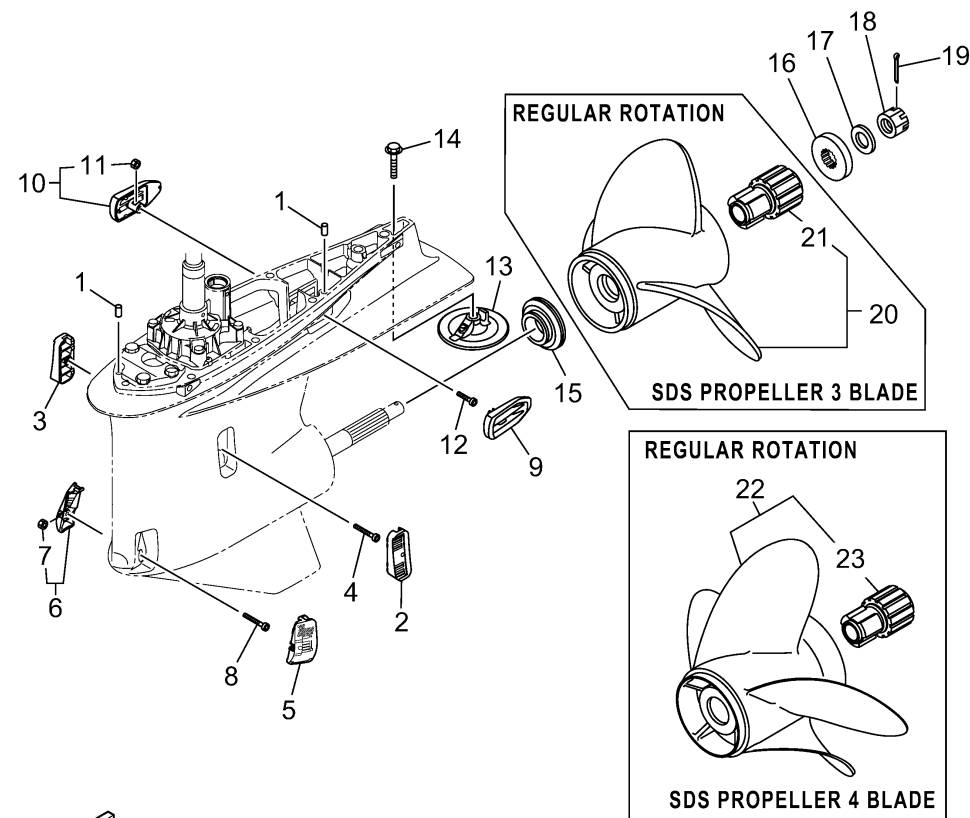
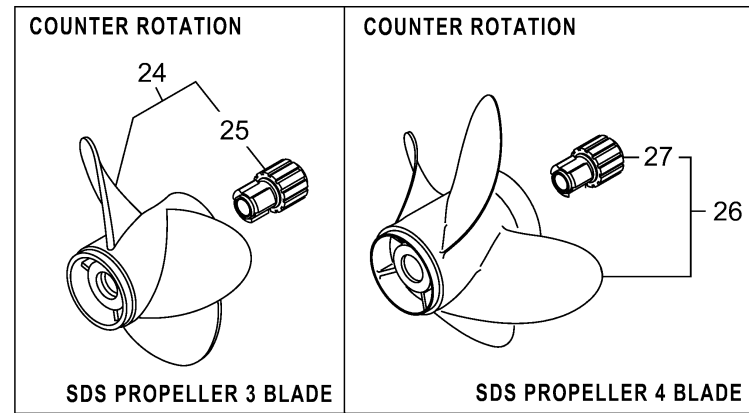
6KK5100-Z430

| Ref No. | Part Number     | Description                  | Qty | Remarks           |
|---------|-----------------|------------------------------|-----|-------------------|
| 24      | 6CF-45932-20-00 | PROPELLER (3X15"X20"-TL)     | 0   | UR LH SDS 3 BLADE |
| 24      | 6CF-45936-20-00 | PROPELLER (3X14-3/4"X22"-TL) | 0   | UR LH SDS 3 BLADE |
| 24      | 68G-45970-20-00 | PROPELLER (3X14-1/2"X15"-ML) | 0   | UR LH SDS 3 BLADE |
| 24      | 68G-45972-20-00 | PROPELLER (3X14-1/4"X17"-ML) | 0   | UR LH SDS 3 BLADE |
| 24      | 68G-45978-20-00 | PROPELLER (3X14-1/4"X18"-ML) | 0   | UR LH SDS 3 BLADE |
| 24      | 68G-45974-20-00 | PROPELLER (3X13-3/4"X19"-ML) | 0   | UR LH SDS 3 BLADE |
| 24      | 68G-45976-20-00 | PROPELLER (3X13-3/4"X21"-ML) | 0   | UR LH SDS 3 BLADE |
| 24      | 6KB-45970-00-00 | PROPELLER (3X15-1/4"X18"-TL) | 0   | UR LH SDS 3 BLADE |
| 24      | 6KB-45972-00-00 | PROPELLER (3X15-1/4"X19"-TL) | 0   | UR LH SDS 3 BLADE |
| 24      | 6KB-45974-00-00 | PROPELLER (3X15"X20"-TL)     | 0   | UR LH SDS 3 BLADE |
| 24      | 6KB-45976-00-00 | PROPELLER (3X15"X21"-TL)     | 0   | UR LH SDS 3 BLADE |
| 24      | 60J-45970-00-00 | PROPELLER (3X14-1/4"X14"-ML) | 0   | UR LH SDS 3 BLADE |
| 24      | 60J-45972-00-00 | PROPELLER (3X14-1/4"X16"-ML) | 0   | UR LH SDS 3 BLADE |
| 24      | 60J-45974-00-00 | PROPELLER (3X14-1/4"X18"-ML) | 0   | UR LH SDS 3 BLADE |
| 24      | 60J-45976-00-00 | PROPELLER (3X14-1/4"X20"-ML) | 0   | UR LH SDS 3 BLADE |
| 24      | 60J-45978-00-00 | PROPELLER (3X14-1/4"X22"-ML) | 0   | UR LH SDS 3 BLADE |
| 24      | 68G-45930-20-00 | PROPELLER (3X14-1/2"X14"-ML) | 0   | UR LH SDS 3 BLADE |
| 24      | 6CF-45D70-20-00 | PROPELLER (3X15-3/4"X14"-TL) | 0   | UR LH SDS 3 BLADE |
| 24      | 6CF-45938-20-00 | PROPELLER (3X15-1/2"X16"-TL) | 0   | UR LH SDS 3 BLADE |
| 25      | 6CE-45C81-10-00 | ..DAMPER RUBBER, PROPELLER 1 | 0   |                   |

CONTINUED ON NEXT FRAME >

# OPTIONAL PARTS 5

| Ref No. | Part Number     | Description                   | Qty | Remarks           |
|---------|-----------------|-------------------------------|-----|-------------------|
| 26      | 6CF-45B70-20-00 | PROPELLER (4X15"X21"-TL)      | 0   | UR LH SDS 4 BLADE |
| 26      | 6CF-45B72-20-00 | PROPELLER (4X15"X22"-TL)      | 0   | UR LH SDS 4 BLADE |
| 26      | 6CF-45B74-20-00 | PROPELLER (4X15"X23"-TL)      | 0   | UR LH SDS 4 BLADE |
| 27      | 6CE-45C81-10-00 | . .DAMPER RUBBER, PROPELLER 1 | 0   |                   |



6KK5100-Z430