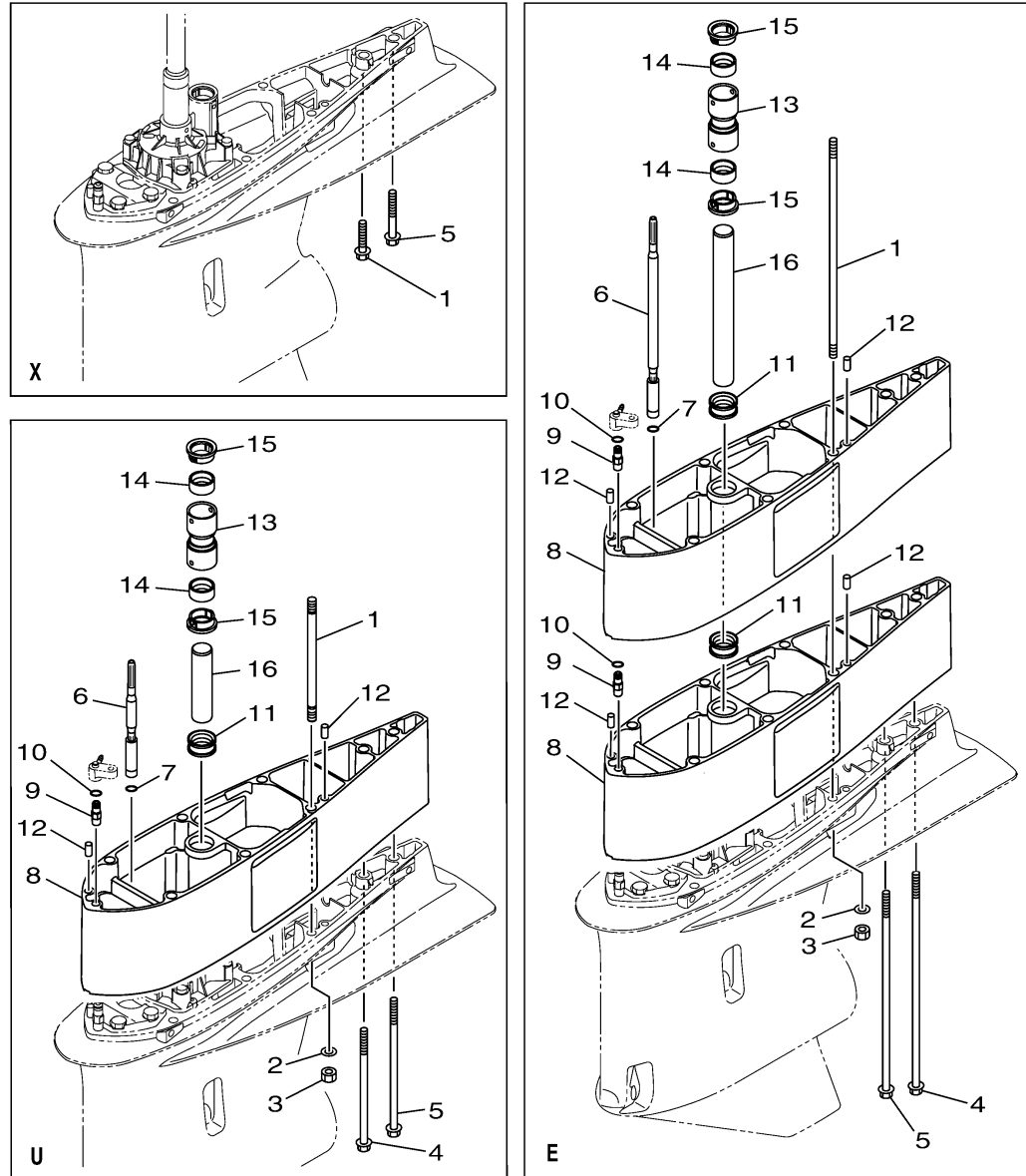


# OPTIONAL PARTS 6



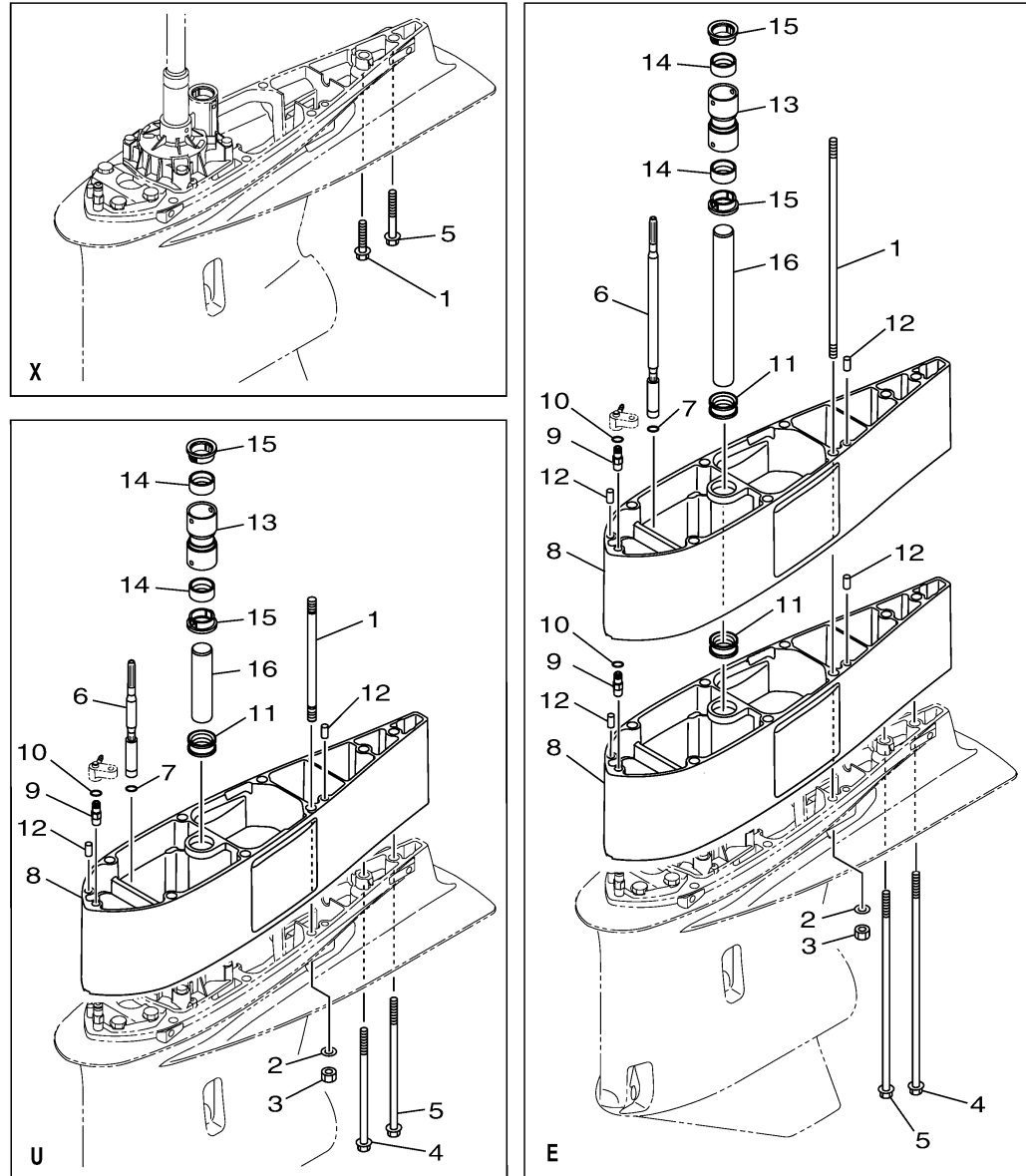
Ref No.	Part Number	Description	Qty	Remarks
1	90116-10066-00	BOLT, STUD	0	UR E(35.3")
1	90116-10067-00	BOLT, STUD	0	UR U(30.3")
1	90119-10024-00	BOLT, WITH WASHER	0	UR X(25.3")
2	92995-10600-00	WASHER	0	U(30.3"), E(35.3")
3	95380-10600-00	NUT	0	U(30.3"), E(35.3")
4	90119-10061-00	BOLT, WITH WASHER	0	UR E(35.3")
4	90119-10009-00	BOLT, WITH WASHER	0	UR U(30.3")
5	97E75-10570-00	BOLT, HEXAGON W/W DEEP RECESS	0	UR X(25.3")
5	90119-10060-00	BOLT, WITH WASHER	0	UR E(35.3")
5	90119-10008-00	BOLT, WITH WASHER	0	UR U(30.3")
6	6KA-44190-00-00	JT. SHIFT ROD COMP.	0	UR U(30.3")
6	6KA-44190-10-00	JT. SHIFT ROD COMP.	0	UR E(35.3")
7	93210-09165-00	O-RING	0	U(30.3"), E(35.3")
8	6CE-45211-10-CE	EXTENSION	0	UR WHITE, U(30.3")
8	6CE-45211-10-CE	EXTENSION	0	UR WHITE, E(35.3")
8	6CE-45211-10-8D	EXTENSION	0	UR GRAY, U(30.3")
8	6CE-45211-10-8D	EXTENSION	0	UR GRAY, E(35.3")
9	63P-45378-00-00	NIPPLE, HOSE	0	UR U(30.3")
9	63P-45378-00-00	NIPPLE, HOSE	0	UR E(35.3")
10	93210-07003-00	O-RING	0	UR E(35.3")

CONTINUED ON NEXT FRAME >

6KF1100-V440

# OPTIONAL PARTS 6

Ref No.	Part Number	Description	Qty	Remarks
10	93210-07003-00	O-RING	0	UR U(30.3")
11	6AW-44366-01-00	.DAMPER, WATER SEAL 2	0	UR U(30.3")
11	6AW-44366-01-00	.DAMPER, WATER SEAL 2	0	UR E(35.3")
12	93608-16M16-00	PIN, DOWEL	0	UR U(30.3")
12	93608-16M16-00	PIN, DOWEL	0	UR E(35.3")
13	6CE-44362-00-00	TUBE, WATER 2	0	U(30.3"), E(35.3")
14	6AW-44365-01-00	.DAMPER, WATER SEAL 1	0	U(30.3"), E(35.3")
15	6AW-44312-00-00	COVER, WATER PUMP HOUSING	0	U(30.3"), E(35.3")
16	6AW-44363-00-00	TUBE, WATER 3	0	UR U(30.3")
16	6CE-44363-00-00	TUBE, WATER 3	0	UR E(35.3")



**FWD**  
6KF1100-V440