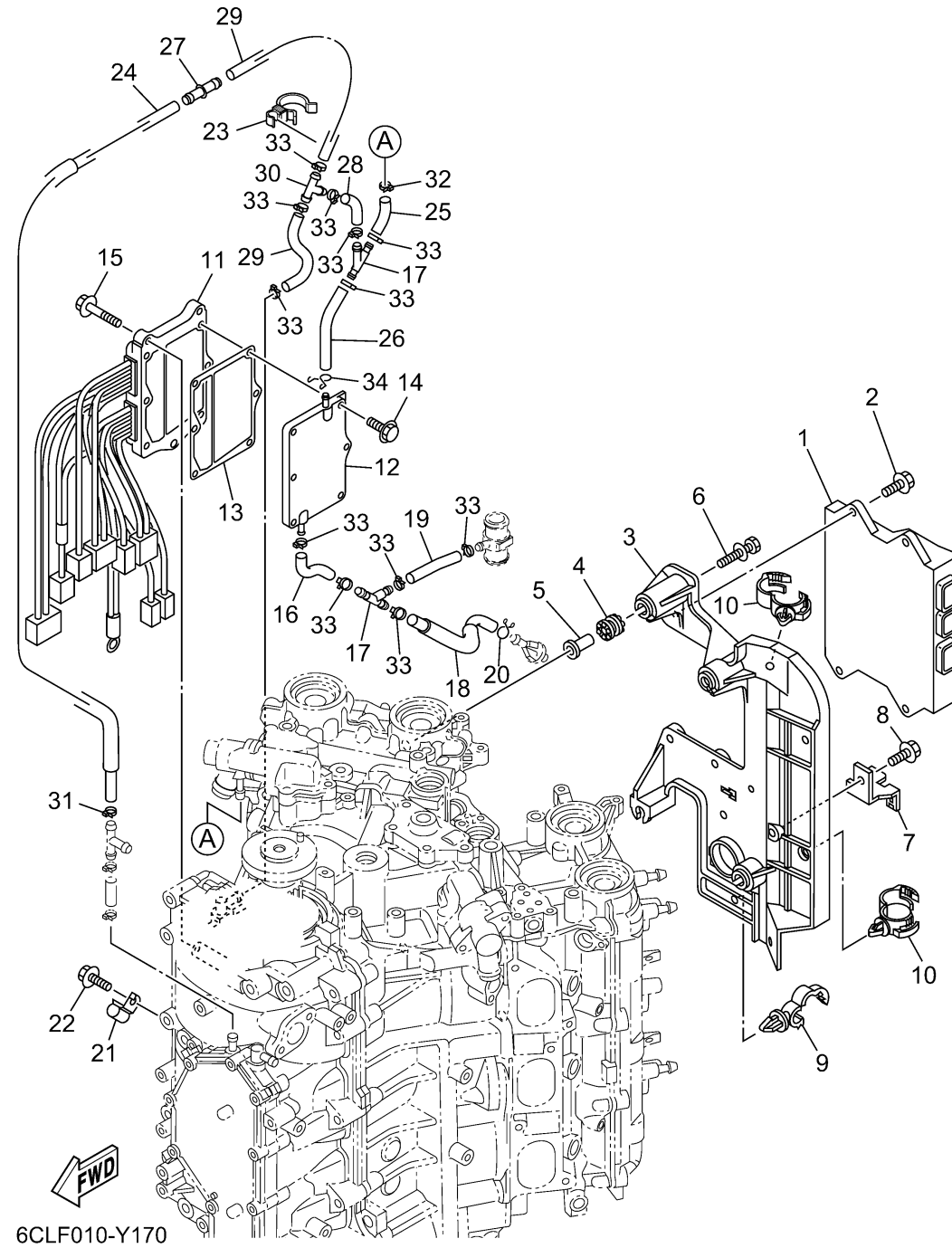


ELECTRICAL 1



| Ref No. | Part Number | Description | Qty | Remarks |
|---------|-----------------|----------------------------|-----|---------|
| 1 | 6KD-8591A-02-00 | ENGINE CONTROL UNIT ASSY | 1 | |
| 2 | 95D95-06020-00 | BOLT, FLANGE DEEP RECESS | 4 | |
| 3 | 6CB-82316-01-00 | BRACKET, IGNITION COIL | 1 | |
| 4 | 64J-85516-01-00 | SPACER | 4 | |
| 5 | 69M-42758-01-00 | COLLAR | 4 | |
| 6 | 90119-06293-00 | BOLT, WITH WASHER | 4 | |
| 7 | 6BR-81845-00-00 | PLATE | 1 | |
| 8 | 95D95-06012-00 | BOLT, FLANGE DEEP RECESS | 1 | |
| 9 | 90464-13249-00 | CLAMP | 1 | |
| 10 | 90464-20181-00 | CLAMP | 2 | |
| 11 | 6CE-81960-10-00 | RECTIFIER & REGULATOR ASSY | 1 | |
| 12 | 6CE-81972-00-9S | COVER, RECTIFIER | 1 | |
| 13 | 6CE-81975-00-00 | PLATE, RECTIFIER FITTING | 1 | |
| 14 | 90119-06MA3-00 | BOLT, WITH WASHER | 6 | |
| 15 | 95D95-06025-00 | BOLT, FLANGE DEEP RECESS | 3 | |
| 16 | 6CE-1248A-00-00 | PIPE 8 | 1 | |
| 17 | 6CE-24377-00-00 | PIPE, JOINT 2 | 2 | |
| 18 | 6CE-12483-00-00 | PIPE 3 | 1 | |
| 19 | 90445-107A5-00 | HOSE (L30) | 1 | |
| 20 | 90467-09M09-00 | CLIP | 1 | |

CONTINUED ON NEXT FRAME >

ELECTRICAL 1

| Ref No. | Part Number | Description | Qty | Remarks |
|---------|-----------------|---------------|-----|---------|
| 21 | 90462-06013-00 | CLAMP | 1 | |
| 22 | 95023-06012-00 | BOLT | 1 | |
| 23 | 90464-26002-00 | CLAMP | 1 | |
| 24 | 6CE-12481-10-00 | PIPE 1 | 1 | |
| 25 | 6CE-14872-00-00 | PIPE 2 | 1 | |
| 26 | 6CE-12485-00-00 | PIPE 5 | 1 | |
| 27 | 6CE-24376-01-00 | PIPE, JOINT 1 | 1 | |
| 28 | 6CE-14872-00-00 | PIPE 2 | 1 | |
| 29 | 90445-09068-00 | HOSE (L110) | 2 | |
| 30 | 688-24378-00-00 | PIPE, JOINT 3 | 1 | |
| 31 | 90465-11M10-00 | CLAMP | 1 | |
| 32 | 90465-11M10-00 | CLAMP | 1 | |
| 33 | 90465-11M10-00 | CLAMP | 12 | |
| 34 | 90467-08M18-00 | CLIP | 1 | |

