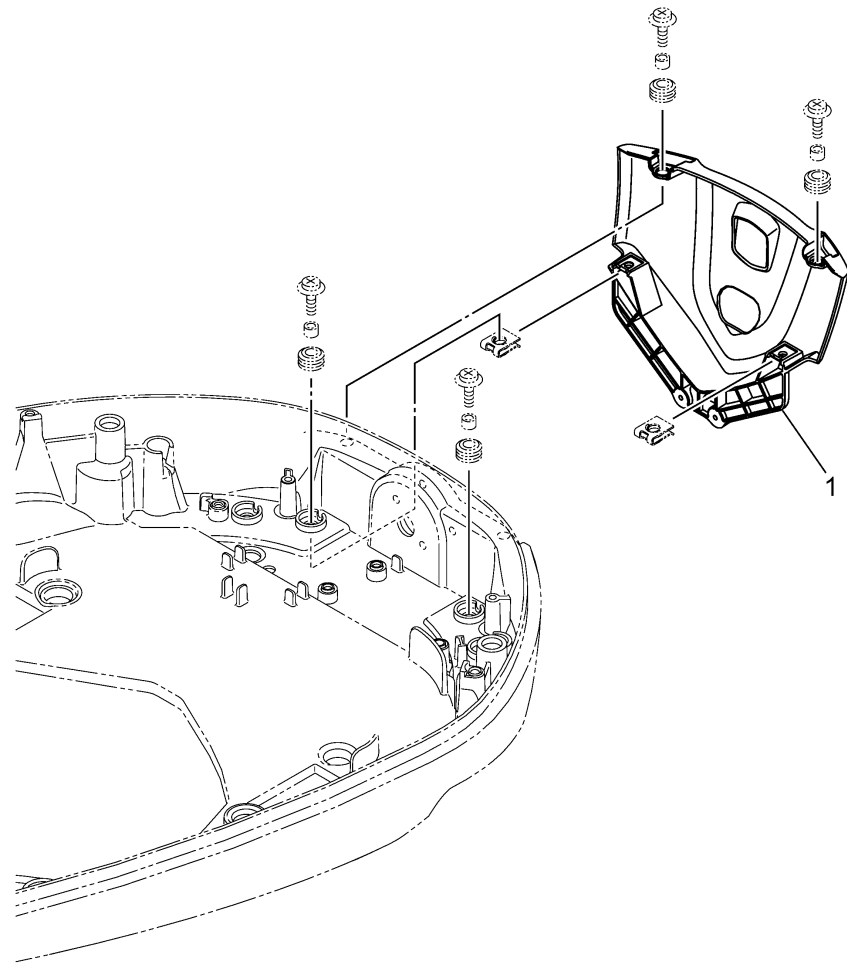


OPTIONAL PARTS 2

Ref No.	Part Number	Description	Qty	Remarks
1	6KA-42723-10-8D	COVER, BOTTOM	1	GRAY
1	6KA-42723-10-CE	COVER, BOTTOM	0	WHITE
1	6KA-42723-10-CJ	COVER, BOTTOM	0	WARM WHITE



6ML1100-Y400