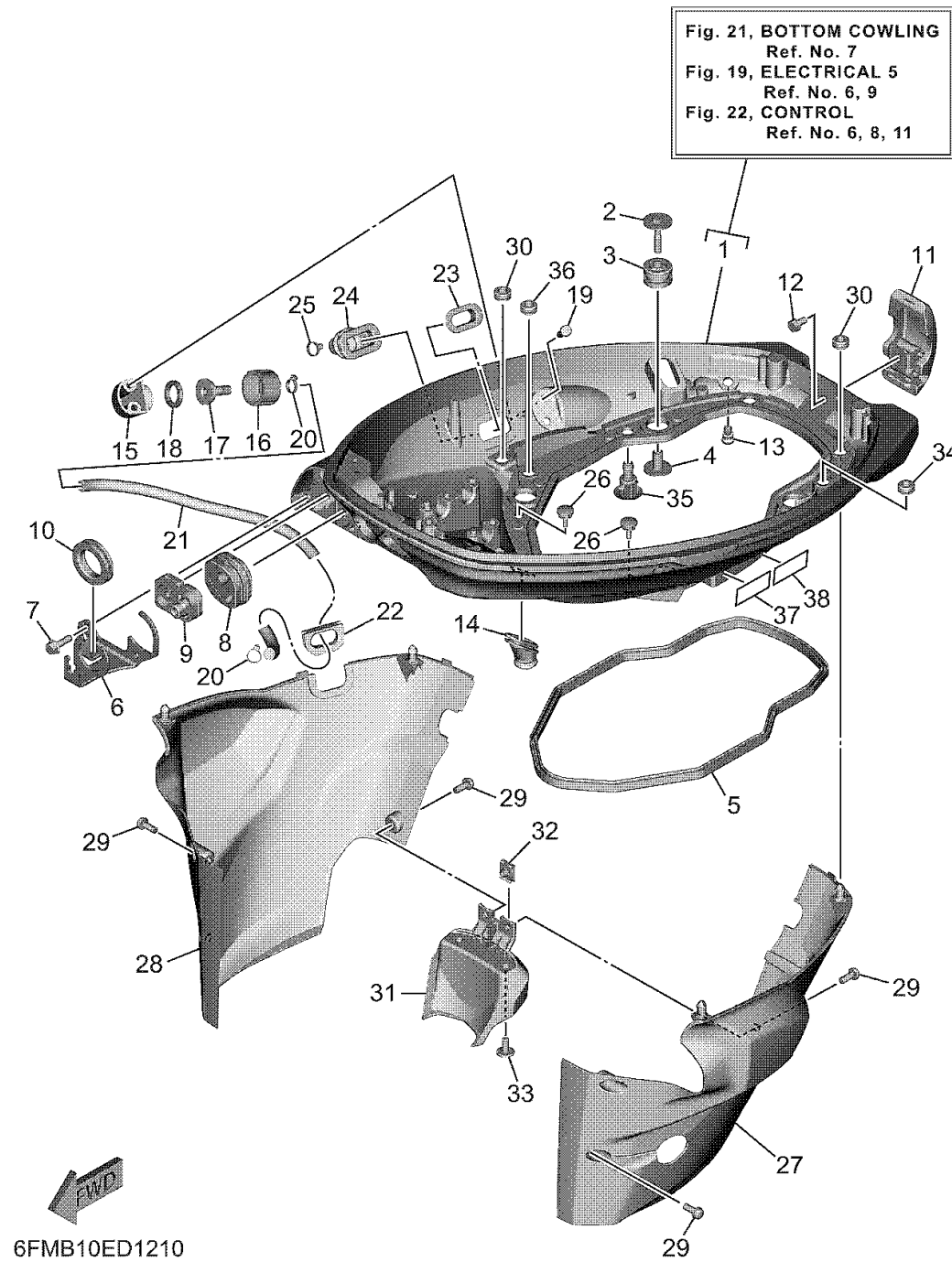


# BOTTOM COWLING

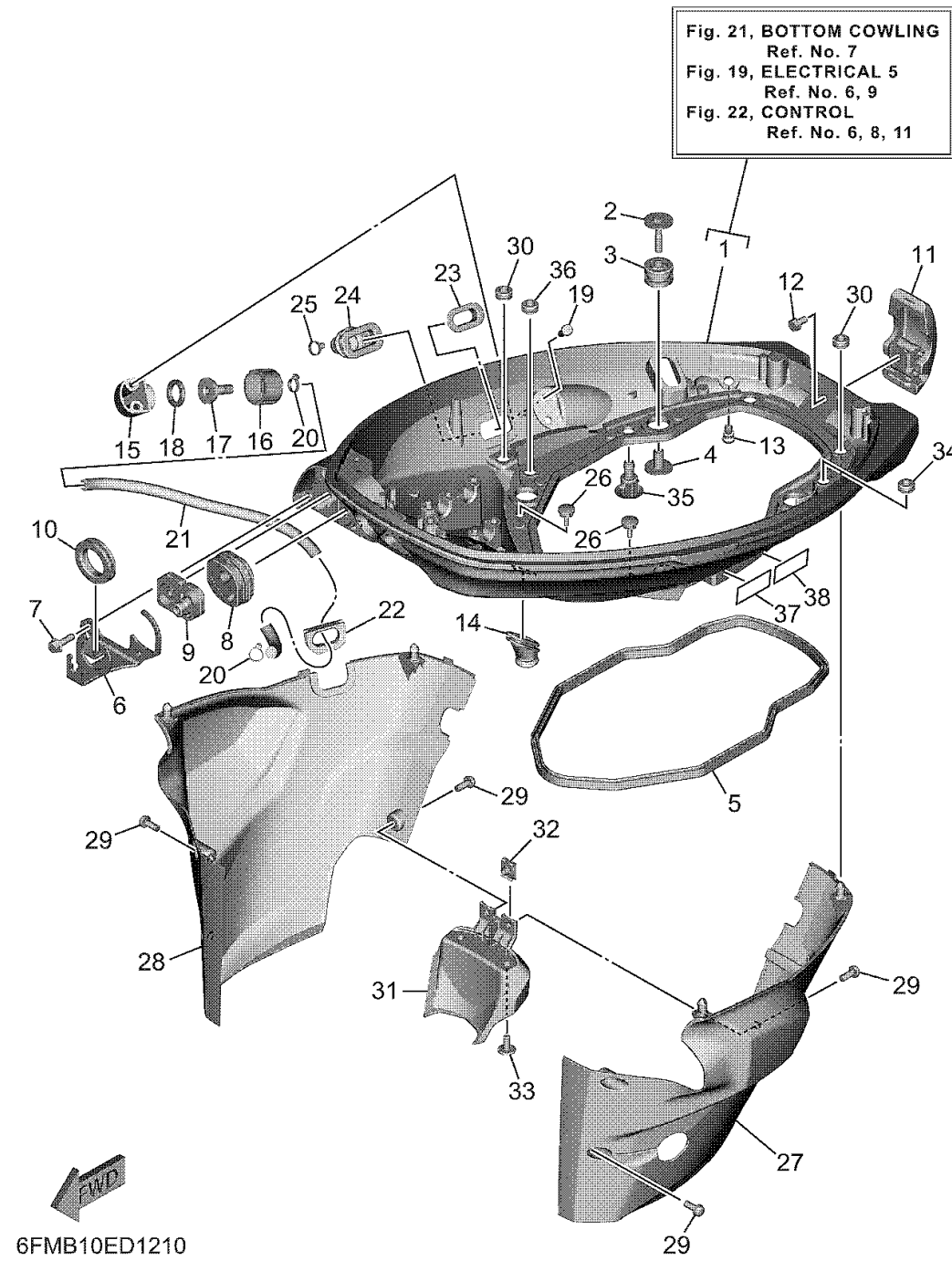


6FMB10ED1210

Ref No.	Part Number	Description	Qty	Remarks
1	6FM-42710-00-CE	BOTTOM COWLING ASSY	1	
2	90119-06291-00	BOLT, WITH WASHER	4	
3	90480-21M82-00	GROMMET	4	
4	90387-06176-00	COLLAR	4	
5	6FM-42716-00-00	RUBBER SEAL 1	1	
6	6FM-42761-10-00	.STOPPER	1	
7	90109-06316-00	BOLT	2	
8	6FM-42724-11-00	GROMMET	1	
9	6FM-42725-01-00	GROMMET	1	
10	6FM-42726-11-00	.GROMMET	1	
11	6FM-42801-00-00	COWLING CLAMP COMP.	1	
12	97E95-06512-00	BOLT, HEXAGON W/W DEEP RECESS	1	
13	6BL-44391-00-00	NIPPLE, HOSE	1	
14	6AH-42727-01-00	GROMMET	1	
15	6DR-12572-00-00	ADAPTER	1	
16	6R3-12581-10-00	JOINT, HOSE 1	1	
17	6R3-12582-00-00	JOINT, HOSE 2	1	
18	6R3-12583-10-00	GASKET, HOSE JOINT	1	
19	97780-60520-00	SCREW, TAPPING	2	
20	90465-11M10-00	CLAMP	2	

CONTINUED ON NEXT FRAME >

# BOTTOM COWLING



Ref No.	Part Number	Description	Qty	Remarks
21	90445-11182-00	HOSE (L300)	1	
22	6AH-42726-01-00	GROMMET	1	
23	6BG-42384-00-00	SEAL, CAP	1	
24	6BG-42724-01-00	GROMMET	1	
25	90465-11M10-00	CLAMP	1	
26	6H4-42748-01-00	GROMMET	2	
27	6FM-42741-10-CE	APRON, 1	1	
28	6FM-42771-10-CE	APRON, 2	1	
29	90159-06062-00	SCREW, WITH WASHER	6	
30	90480-13M24-00	GROMMET	4	
31	6FM-42735-00-00	PROTECTOR	1	
32	90183-061A8-00	NUT, SPRING	2	
33	90111-06144-00	BOLT, HEXAGON SOCKET BUTTON	2	
34	90480-13M24-00	GROMMET	1	
35	6P2-44391-00-00	NIPPLE, HOSE	1	
36	90480-13M24-00	GROMMET	1	
37	6EE-42794-41-00	LABEL, WARNING (GENERAL)	1	
38	6EE-42794-51-00	LABEL, WARNING (GENERAL)	1	