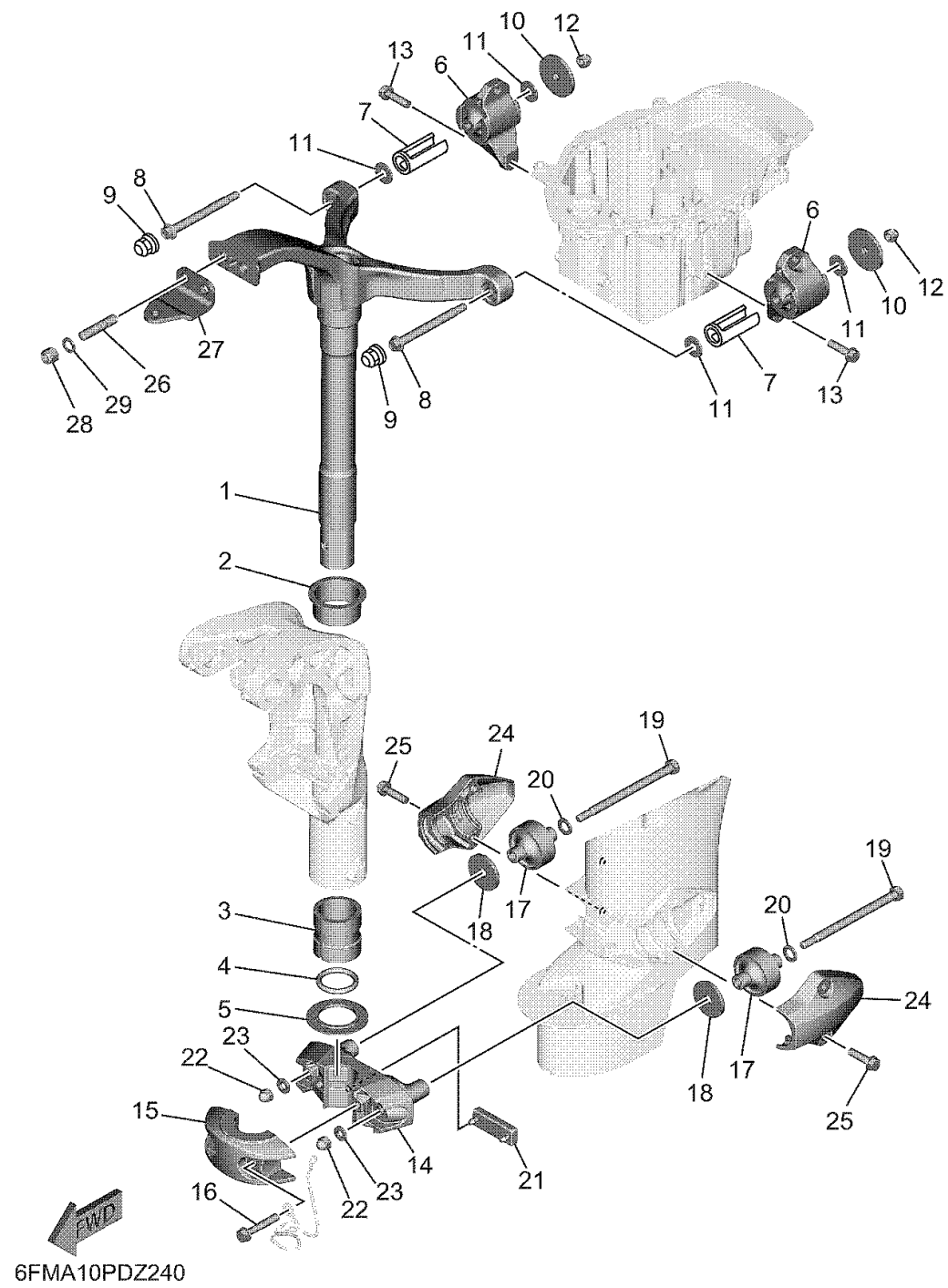


## BRACKET 2

Ref No.	Part Number	Description	Qty	Remarks
1	6FM-42511-10-CE	BRACKET, STEERING	0	L(21.7")
1	6FM-42511-00-CE	BRACKET, STEERING	1	S(16.7")
2	90381-45001-00	BUSH, SOLID	1	
3	90386-38M32-00	BUSH	1	
4	93210-37MH7-00	O-RING	1	
5	90386-38002-00	BUSH	1	
6	6FM-44514-10-CA	MOUNT DAMPER, UPPER SIDE	2	
7	6FM-44532-00-00	STOPPER, UPPER MOUNT	2	
8	90109-08241-00	BOLT	2	
9	66T-44194-10-00	CAP	2	
10	90201-08120-00	WASHER, PLATE	2	
11	90201-09014-00	WASHER, PLATE	4	
12	95380-08800-00	NUT, CROWN	2	
13	97E95-08530-00	BOLT, HEXAGON W/W DEEP RECESS	4	
14	6FM-44551-00-CE	HOUSING, LOWER MOUNT RUBBER 1	1	
15	6FM-44552-00-CE	HOUSING, LOWER MOUNT RUBBER 2	1	
16	97E95-08545-00	BOLT, HEXAGON W/W DEEP RECESS	2	
17	6FM-44555-11-00	MOUNT DAMPER, LOWER SIDE	2	
18	90201-10077-00	WASHER, PLATE	2	
19	90101-08M02-00	BOLT	2	

CONTINUED ON NEXT FRAME >



## BRACKET 2

Ref No.	Part Number	Description	Qty	Remarks
20	92995-10600-00	WASHER	2	
21	6E5-44575-01-00	DAMPER, LOWER MOUNT RUBBER	0	L(21.7")
21	6FM-44575-01-00	DAMPER, LOWER MOUNT RUBBER	1	S(16.7")
22	95380-08800-00	NUT, CROWN	2	
23	90201-08M08-00	WASHER, PLATE	2	
24	6FM-44553-00-CE	COVER, LOWER MOUNT	2	
25	97E95-08530-00	BOLT, HEXAGON W/W DEEP RECESS	4	
26	90116-10064-00	BOLT, STUD	2	
27	65W-48511-01-00	HOOK, STEERING	1	
28	90185-10027-00	NUT, SELF-LOCKING	2	
29	90201-10049-00	WASHER, PLATE	2	