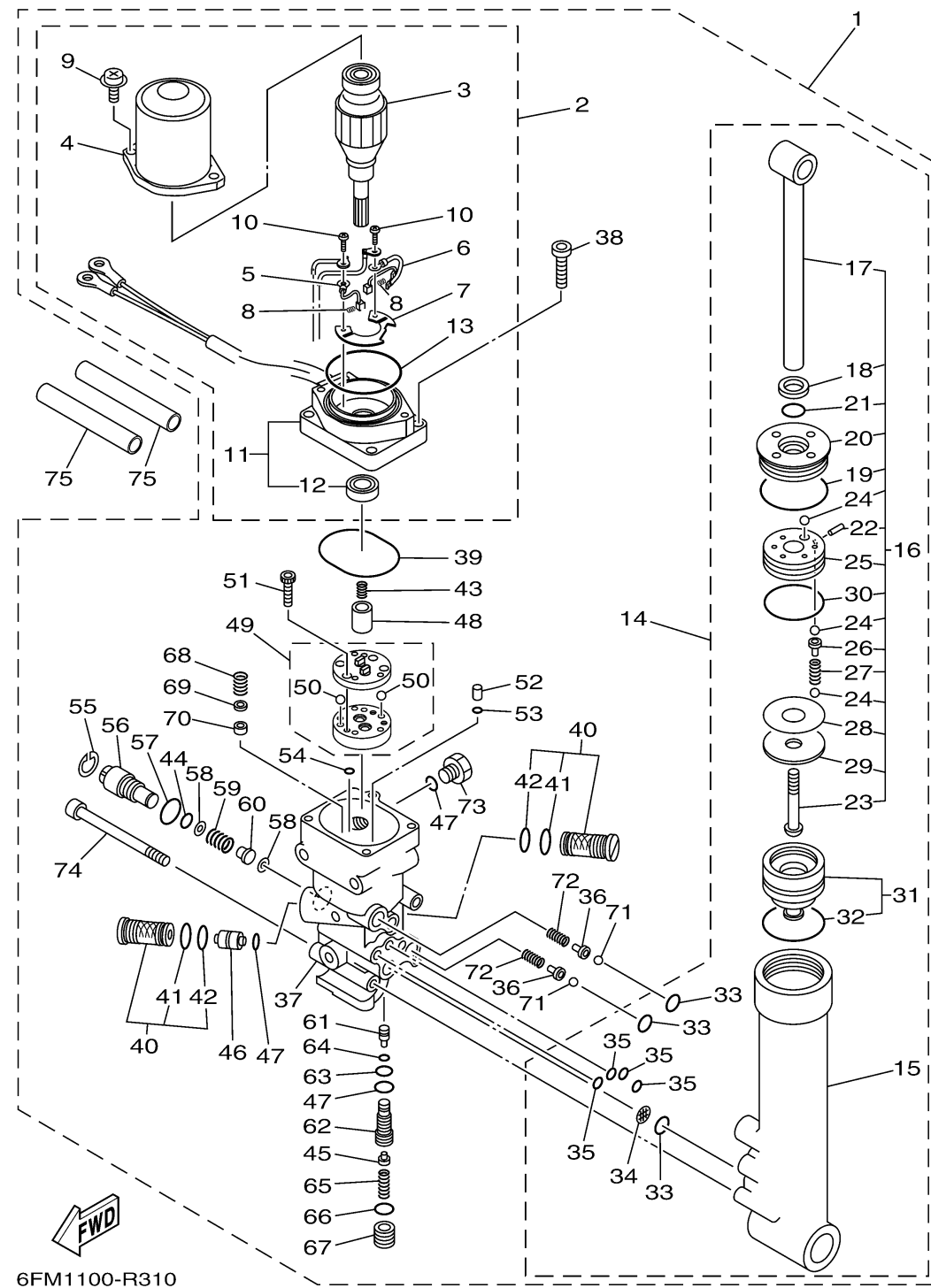


POWER TRIM TILT ASSY

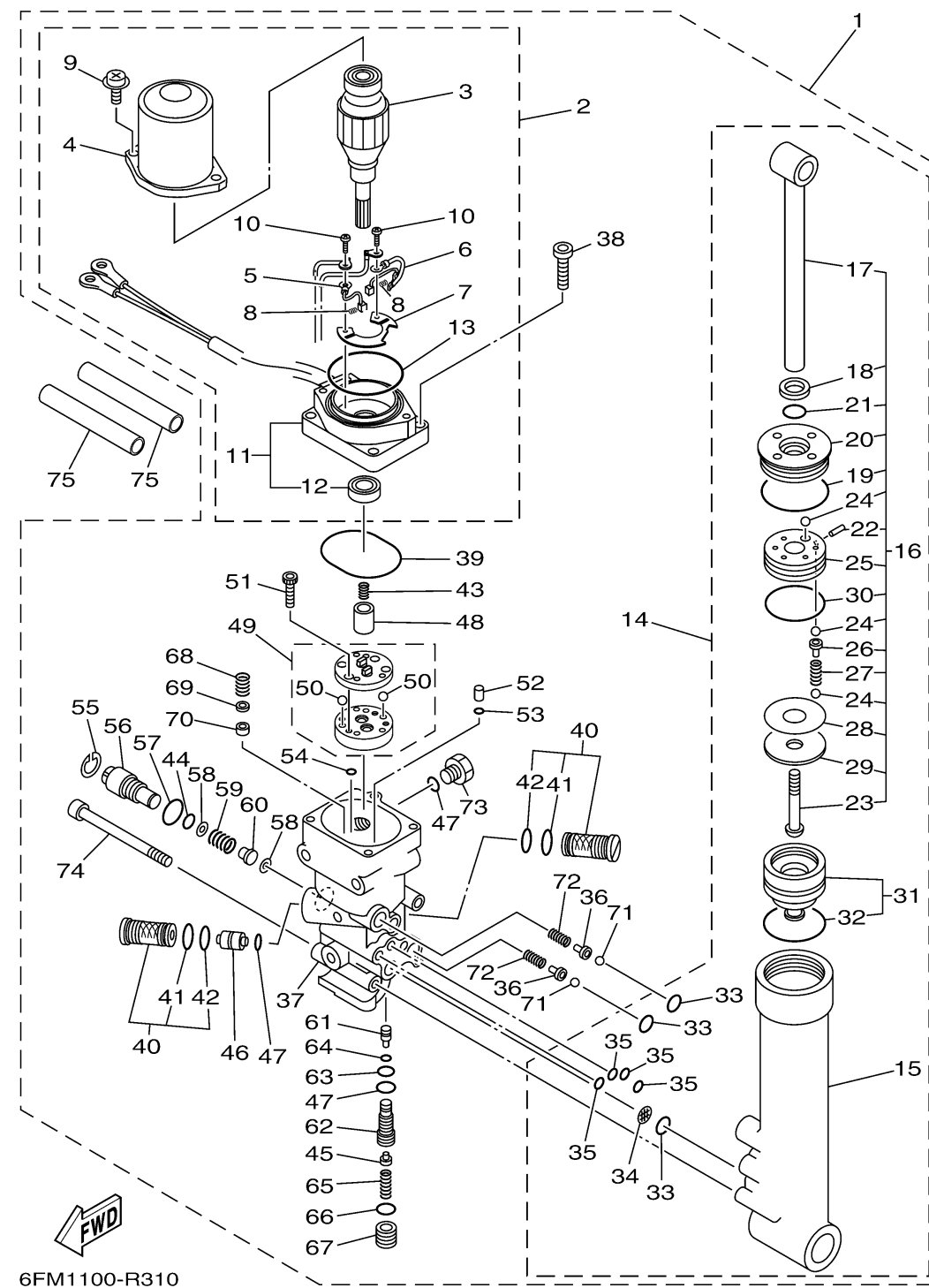


6FM1100-R310

Ref No.	Part Number	Description	Qty	Remarks
1	65W-43800-24-8D	POWER TRIM & TILT ASSY	1	
2	65W-43880-21-00	..MOTOR ASSY	1	
3	67C-43805-11-00	...ARMATURE ASSY	1	
4	67C-43804-10-00	...STATOR ASSY	1	
5	67C-43892-10-00	...BRUSH 2	1	
6	67C-82181-10-00	...CIRCUIT BREAKER COMP.	1	
7	67C-4380F-10-00	...PLATE, BRUSH HOLDER	1	
8	67C-4386K-10-00	...SPRING, BRUSH	2	
9	67C-43879-10-00	...SCREW, WITH WASHER	2	
10	97602-04316-00	...SCREW, PAN HEAD WITH WASHER	2	
11	65W-43881-22-00	...FRAME, END	1	
12	67C-43882-10-00	...OIL SEAL	1	
13	67C-43862-10-00	...O-RING	1	
14	65W-43840-01-00	..POWER TILT ASSY	1	
15	65W-4380K-00-00	...CYLINDER, TILT SUB ASSY	1	
16	65W-43810-01-00	...TILT PISTON SUB ASSY	1	
17	65W-43801-01-00	...ROD	1	
18	65W-43812-00-00	...SEAL, DUST	1	
19	65W-43865-00-00	...O-RING	1	
20	65W-43811-01-00	...SCREW, CYLINDER END	1	

CONTINUED ON NEXT FRAME >

POWER TRIM TILT ASSY



6FM1100-R310

Ref No.	Part Number	Description	Qty	Remarks
61	65W-43844-00-00	..PIN, VALVE SUPPORT	1	
62	65W-43851-00-00	..SEAT, RELIEF VALVE	1	
63	93210-08006-00	..O-RING	1	
64	93210-03478-00	..O-RING	1	
65	65W-43855-00-00	..SPRING, UP RELIEF	1	
66	93210-11073-00	..O-RING	1	
67	65W-43843-00-00	..SCREW, VALVE LOCK	1	
68	6H1-43856-10-00	..SPRING, DOWN RELIEF	1	
69	6H1-43844-10-00	..PIN, VALVE SUPPORT	1	
70	6H1-4384F-10-00	..SEAL, MAIN VALVE	1	
71	93501-08001-00	..BALL	2	
72	63P-43857-10-00	..SPRING, ABSORBER VALVE	2	
73	6H1-43829-00-00	..PLUG, RESERVOIR	1	
74	62X-43878-01-00	..BOLT, SOCKET	3	
75	90446-15003-00	HOSE (L100)	2	