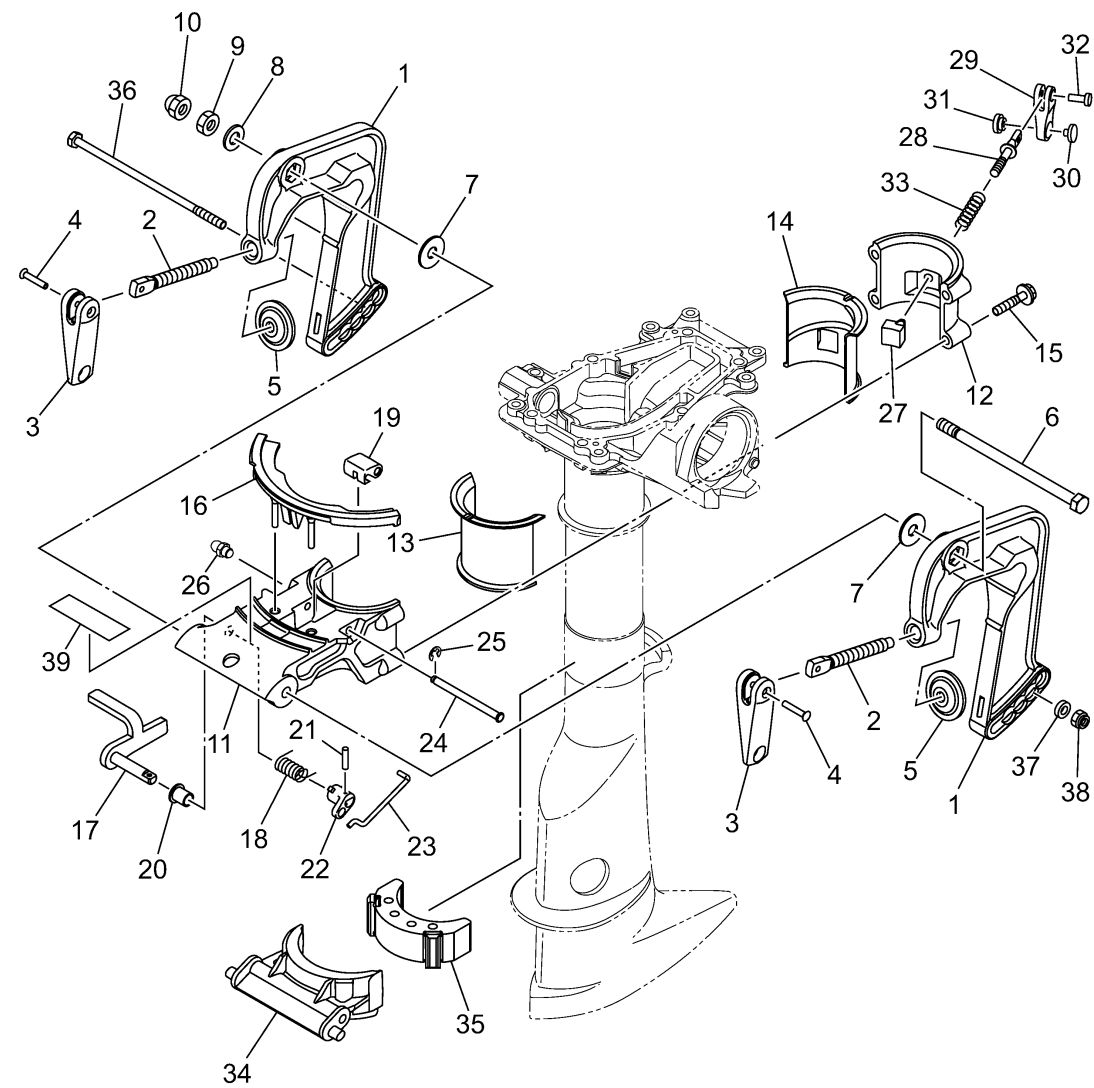


6EGB100-Z150

# BRACKET

Ref No.	Part Number	Description	Qty	Remarks
1	6EG-43111-00-8D	BRACKET, CLAMP 1	2	
2	6E0-43116-01-00	SCREW, TRANSOM CLAMP	2	
3	6E0-43118-01-00	HANDLE, TRANSOM CLAMP	2	
4	90243-04M01-00	PIN	2	
5	648-43114-01-00	PAD, TRANSOM CLAMP	2	
6	90101-08M07-00	BOLT	1	
7	90202-08022-00	WASHER, PLATE	2	
8	92990-08200-00	WASHER, PLAIN	1	
9	95380-08600-00	NUT	1	
10	95380-08800-00	NUT, CROWN	1	
11	6EG-43311-00-8D	BRACKET, SWIVEL 1	1	
12	6EG-43312-00-8D	BRACKET, SWIVEL 2	1	
13	6EG-42537-00-00	BUSHING, PIVOT SHAFT	1	
14	6EG-42538-00-00	BUSHING, PIVOT SHAFT	1	
15	97E75-06530-00	BOLT, HEXAGON W/W DEEP RECESS	4	
16	6EG-43679-00-00	COVER	1	
17	6EG-43180-00-00	TILT STOP LEVER ASSY	1	
18	6EG-43188-00-00	SPRING	1	
19	6EG-43186-00-00	LEVER	1	
20	90386-08032-00	BUSH	1	

CONTINUED ON NEXT FRAME >



6EGB100-Z150

## BRACKET

Ref No.	Part Number	Description	Qty	Remarks
21	91690-20010-00	PIN, SPRING	1	
22	6EG-43185-00-00	LEVER, TILT STOP 2	1	
23	6EG-43164-00-00	ROD, TILT LOCK	1	
24	6EG-43166-00-00	PIN	1	
25	93430-04M03-00	CIRCLIP	1	
26	93700-06004-00	NIPPLE, GREASE	1	
27	6EG-42528-00-00	PLATE, FRICTION	1	
28	6EG-42529-00-00	SCREW, FRICTION PIECE	1	
29	6L5-42561-00-00	KNOB, STEERING LOCK	1	
30	6L5-44196-00-00	INDICATOR 3	1	
31	6L5-44197-00-00	INDICATOR 4	1	
32	90266-04M05-00	RIVET	1	
33	90501-121A6-00	SPRING, COMPRESSION	1	
34	6EG-43351-00-00	RECEIVER, THRUST	1	
35	69M-44557-00-00	MOUNT DAMPER, LOWER FRONT	1	
36	90101-06062-00	BOLT	1	
37	90201-06040-00	WASHER, PLATE	1	
38	95780-06300-00	NUT, FLANGE	1	
39	6EG-43691-00-00	INDICATOR, TILT	1	