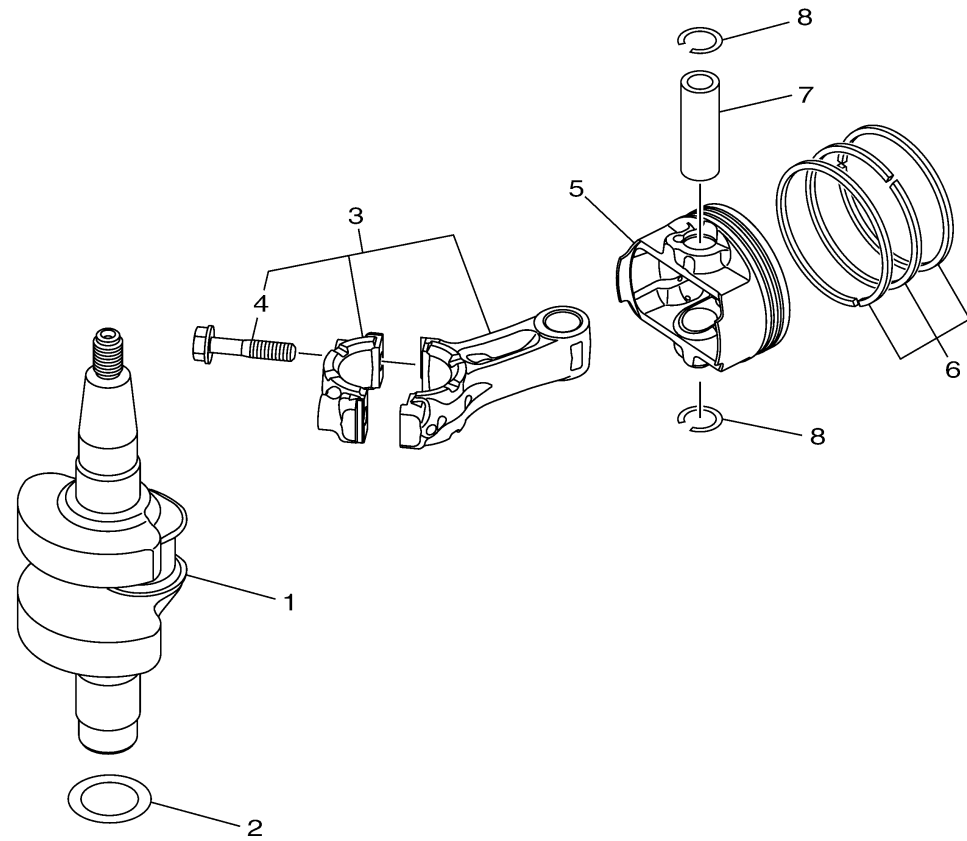


# CRANKSHAFT PISTON

Ref No.	Part Number	Description	Qty	Remarks
1	6EG-11410-10-00	CRANKSHAFT	1	
2	90201-23008-00	WASHER, PLATE	1	
3	6EG-11650-00-00	CONNECTING ROD ASSY	1	
4	6EG-11654-00-00	. .BOLT, CONNECTING ROD	2	
5	6EG-11631-10-00	PISTON (STD)	1	
5	6EG-11635-10-00	PISTON (0.25MM O/S)	1	AP
5	6EG-11636-10-00	PISTON (0.50MM O/S)	1	AP
6	6EG-11603-00-00	PISTON RING SET (STD)	1	
6	6EG-11604-00-00	PISTON RING SET (0.25MM O/S)	1	AP
6	6EG-11605-00-00	PISTON RING SET (0.50MM O/S)	1	AP
7	6EG-11633-00-00	PIN, PISTON	1	
8	93450-13130-00	CIRCLIP	2	



6EG1100-P040