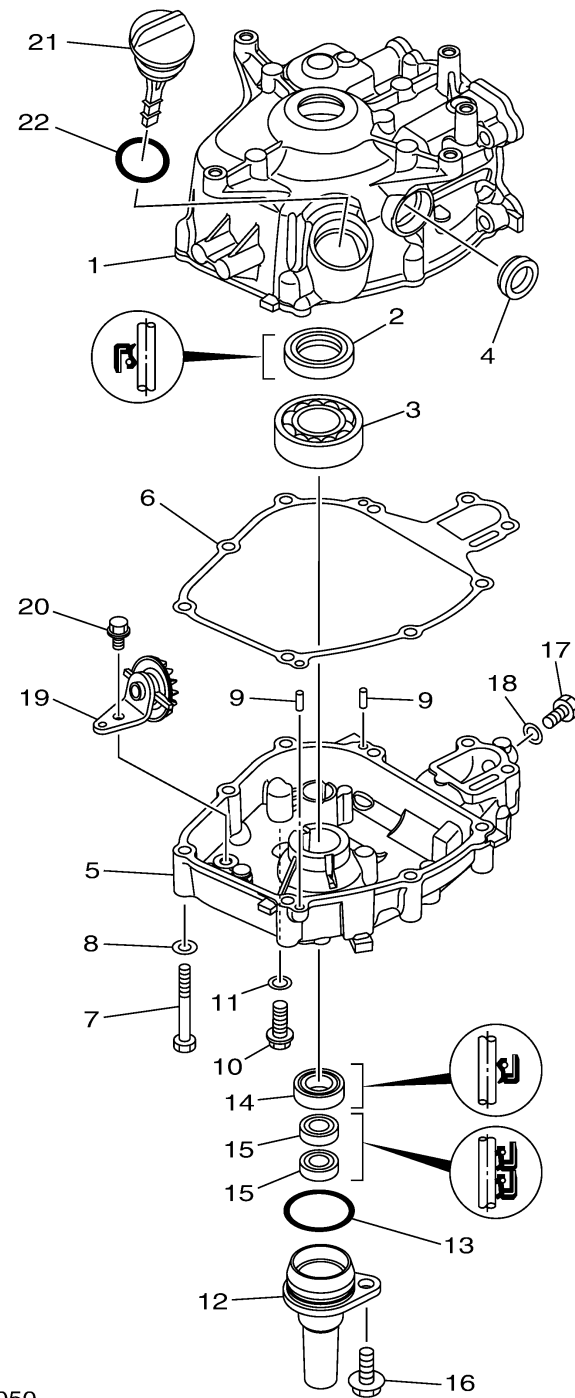


CYLINDER CRANKCASE 2

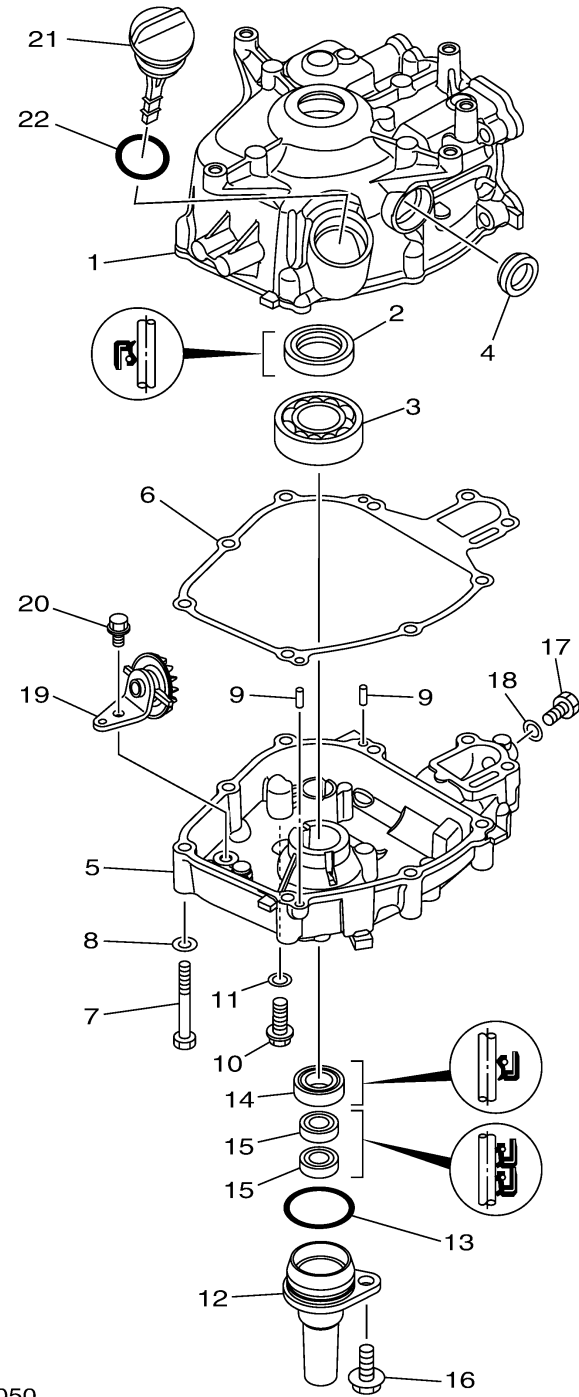


Ref No.	Part Number	Description	Qty	Remarks
1	6EG-11311-00-1S	CYLINDER 1	1	
2	93102-20108-00	.OIL SEAL	1	
3	93306-27215-00	BEARING	1	
4	3Y6-15361-00-00	GAUGE, LEVEL	1	
5	6EG-15111-00-1S	CRANKCASE 1	1	
6	6EG-11351-00-00	.GASKET, CYLINDER	1	
7	97013-06045-00	BOLT	9	
8	92903-06600-00	WASHER, PLATE	9	
9	93604-12M07-00	PIN, DOWEL	2	
10	90105-08M76-00	BOLT, FLANGE	1	
11	90201-08124-00	.WASHER, PLATE	1	
12	6EG-15396-00-CA	HOUSING, OIL SEAL	1	
13	93210-35537-00	.O-RING	1	
14	93102-20108-00	.OIL SEAL	1	
15	93102-09004-00	.OIL SEAL	2	
16	97E95-08520-00	BOLT, HEXAGON W/W DEEP RECESS	1	
17	97D95-08014-00	BOLT, HEXAGON DEEP RECESS	1	
18	90430-08143-00	GASKET	1	
19	6EG-13102-00-00	GEAR UNIT ASSY	1	
20	95817-06012-00	BOLT, FLANGE	1	

CONTINUED ON NEXT FRAME >

CYLINDER CRANKCASE 2

Ref No.	Part Number	Description	Qty	Remarks
21	6EG-15362-00-00	PLUG, OIL LEVEL	1	
22	93210-24M79-00	.O-RING	1	




6EF8010-W050