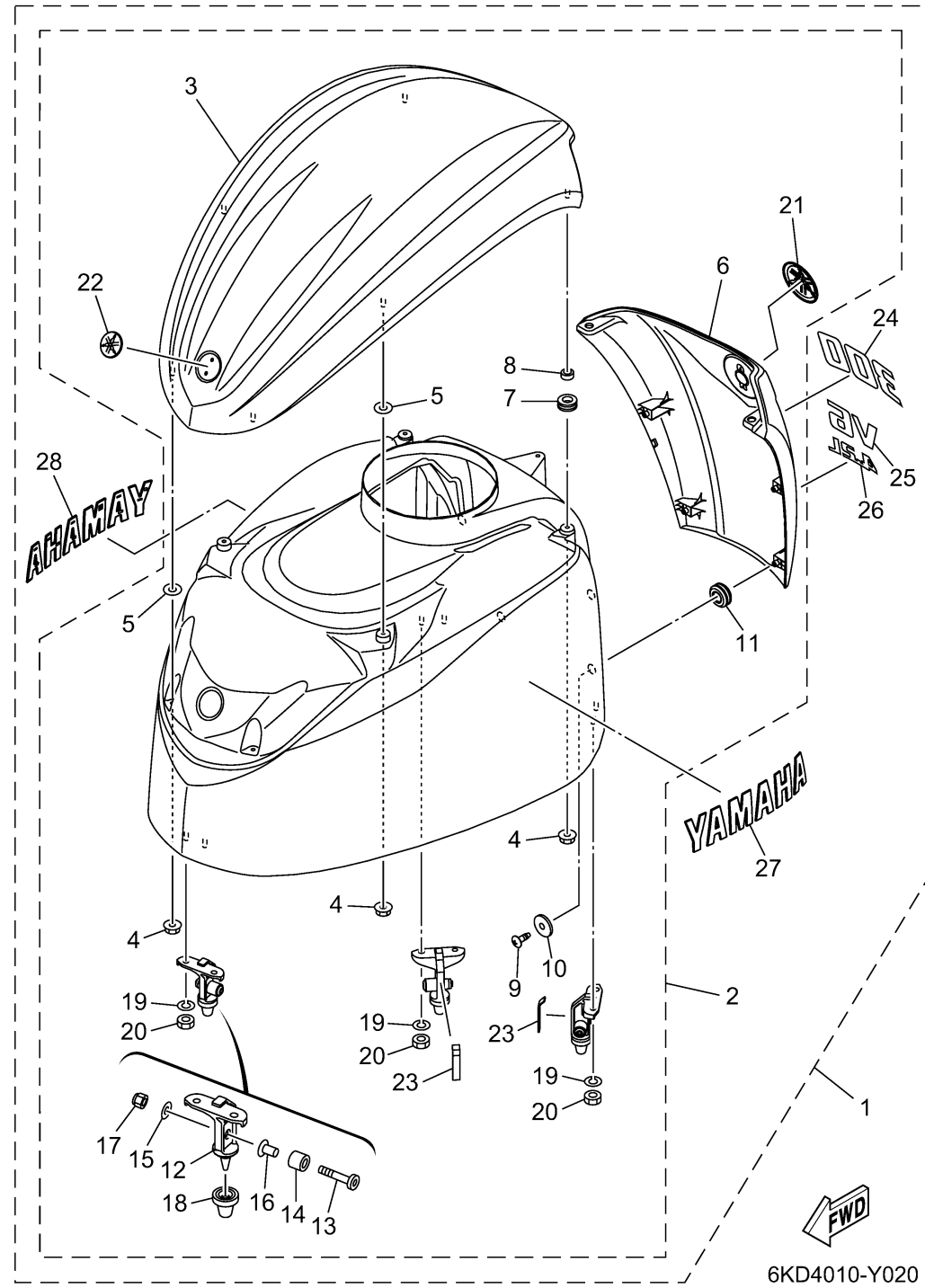


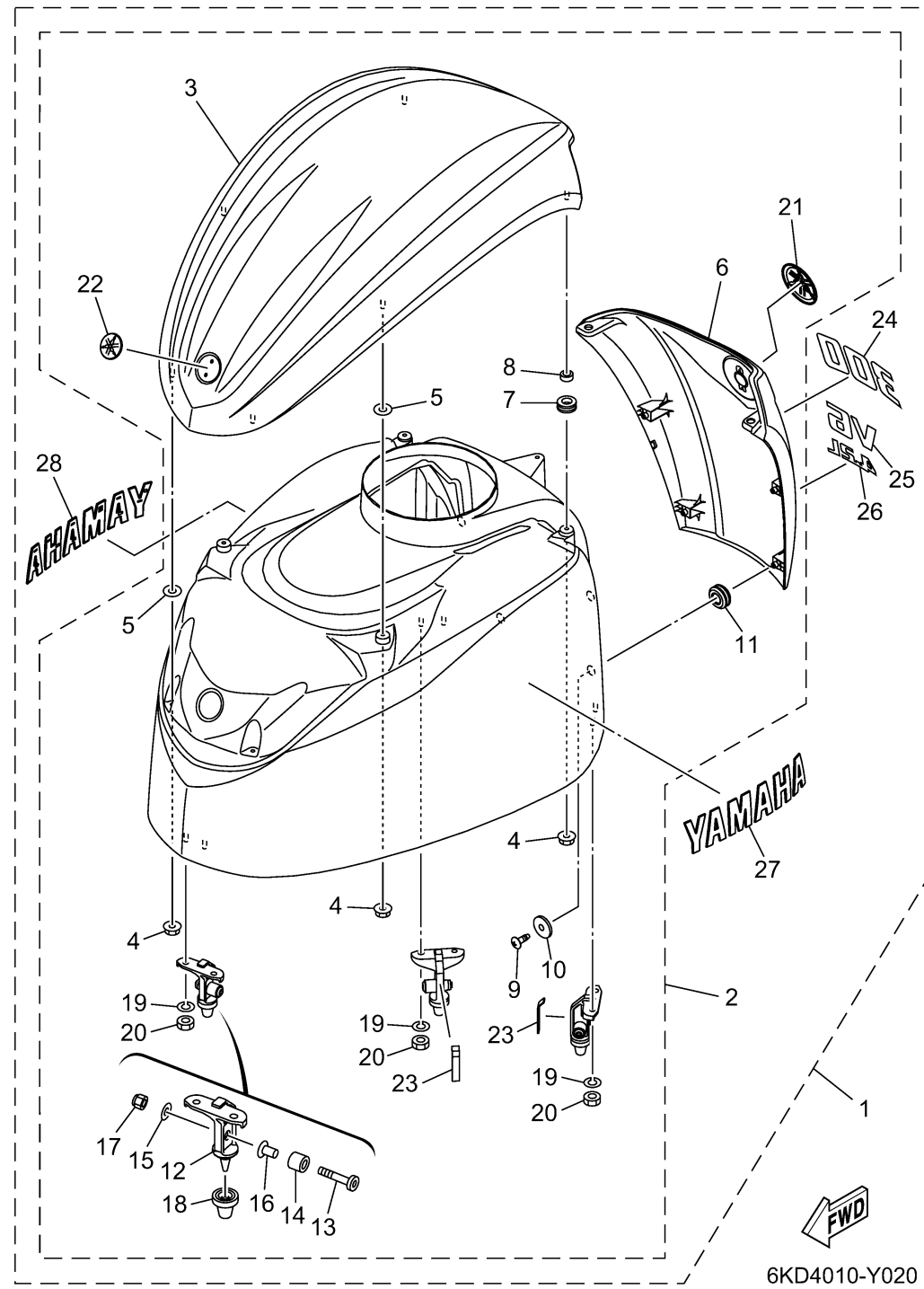
TOP COWLING



| Ref No. | Part Number | Description | Qty | Remarks |
|---------|-----------------|----------------------------|-----|------------|
| 1 | 6KA-42610-01-8D | TOP COWLING ASSY | 1 | GRAY |
| 1 | 6KA-42610-01-CE | TOP COWLING ASSY | 0 | WHITE |
| 1 | 6KA-42610-01-CJ | TOP COWLING ASSY | 0 | WARM WHITE |
| 2 | 6KA-4261A-01-8D | ..TOP COWLING W/O GRAPHICS | 1 | GRAY |
| 2 | 6KA-4261A-01-CE | ..TOP COWLING W/O GRAPHICS | 0 | WHITE |
| 2 | 6KA-4261A-01-CJ | ..TOP COWLING W/O GRAPHICS | 0 | WARM WHITE |
| 3 | 6KA-42613-00-CJ | ...MOLDING, AIR DUCT | 0 | WARM WHITE |
| 3 | 6KA-42613-00-8D | ...MOLDING, AIR DUCT | 1 | GRAY |
| 3 | 6KA-42613-00-CE | ...MOLDING, AIR DUCT | 0 | WHITE |
| 4 | 90179-06M28-00 | .. NUT | 7 | |
| 5 | 6CB-42545-00-00 | ...WASHER, PLAIN | 4 | |
| 6 | 6KA-42625-00-CJ | ...PANEL, REAR | 0 | WARM WHITE |
| 6 | 6KA-42625-00-8D | ...PANEL, REAR | 1 | GRAY |
| 6 | 6KA-42625-00-CE | ...PANEL, REAR | 0 | WHITE |
| 7 | 90480-13004-00 | ...GROMMET | 2 | |
| 8 | 90387-07054-00 | ...COLLAR | 2 | |
| 9 | 97780-50016-00 | ...SCREW, TAPPING | 4 | |
| 10 | 90201-053R1-00 | ...WASHER, PLATE | 4 | |
| 11 | 90480-16009-00 | ...GROMMET | 4 | |
| 12 | 6CB-42647-B0-00 | ...HOLDER, CLAMP BAND | 3 | |

CONTINUED ON NEXT FRAME >

TOP COWLING



| Ref No. | Part Number | Description | Qty | Remarks |
|---------|-----------------|--------------------------------|-----|---------|
| 13 | 90111-08078-00 | ...BOLT, HEXAGON SOCKET BUTTON | 3 | |
| 14 | 90387-10094-00 | ...COLLAR | 3 | |
| 15 | 92990-08600-00 | ...WASHER, PLATE | 3 | |
| 16 | 90387-08M45-00 | ...COLLAR | 3 | |
| 17 | 95780-08300-00 | .. NUT, FLANGE | 3 | |
| 18 | 6AW-42663-01-00 | ...DAMPER 2 | 3 | |
| 19 | 92990-06100-00 | .. WASHER, SPRING | 6 | |
| 20 | 95380-06600-00 | .. NUT, HEXAGON | 6 | |
| 21 | 6KN-42697-00-00 | ...TUNING FORK MARK | 1 | |
| 22 | 6LB-42697-00-00 | ...TUNING FORK MARK | 1 | |
| 23 | 6CB-42134-01-00 | ...COVER | 2 | |
| 24 | 6KA-42678-00-00 | ..GRAPHIC, REAR | 1 | |
| 25 | 6KA-4267A-00-00 | ..GRAPHIC, REAR 2 | 1 | |
| 26 | 6KA-42682-00-00 | ..MARK, COWLING | 1 | |
| 27 | 6KA-2153A-00-00 | ..EMBLEM, YAMAHA | 1 | |
| 28 | 6KA-2153B-00-00 | ..EMBLEM, YAMAHA | 1 | |