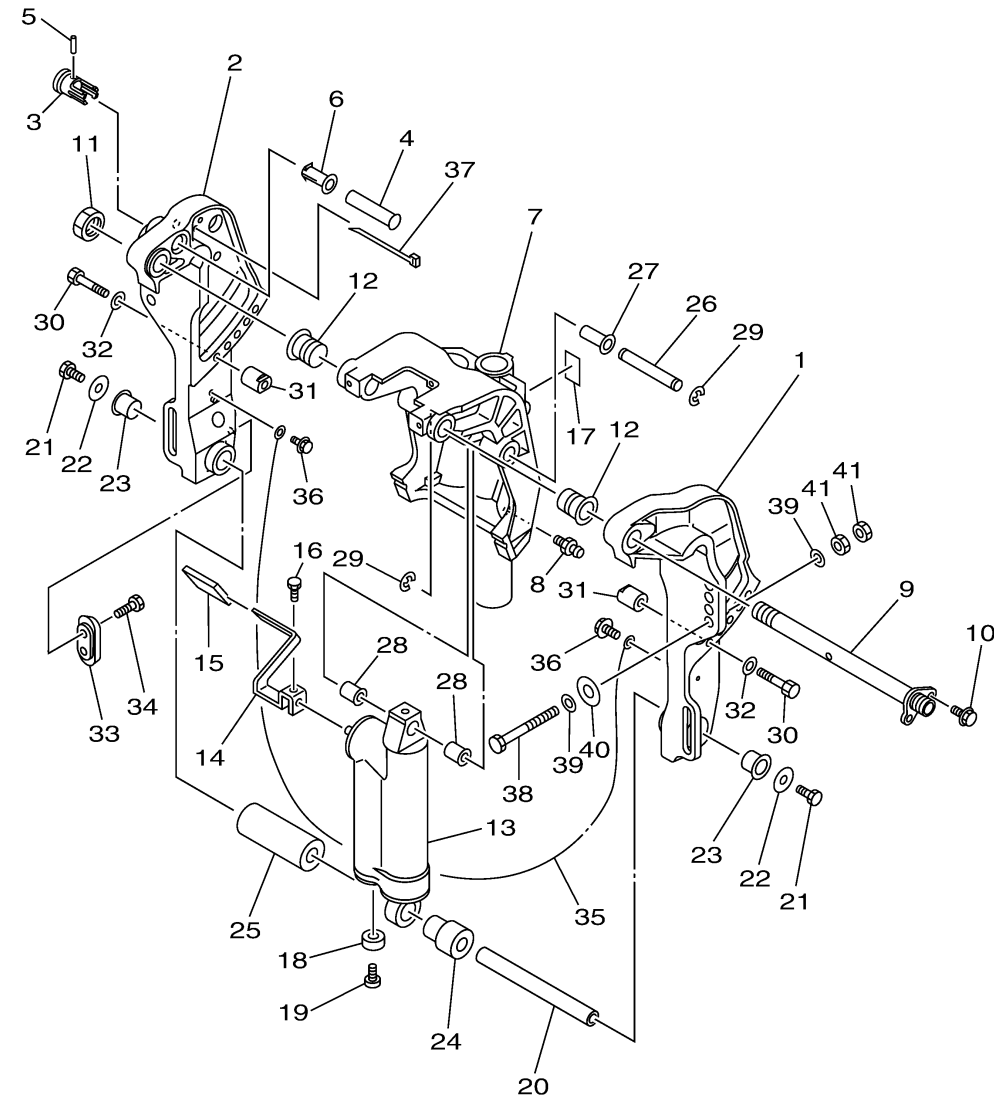


BRACKET 2



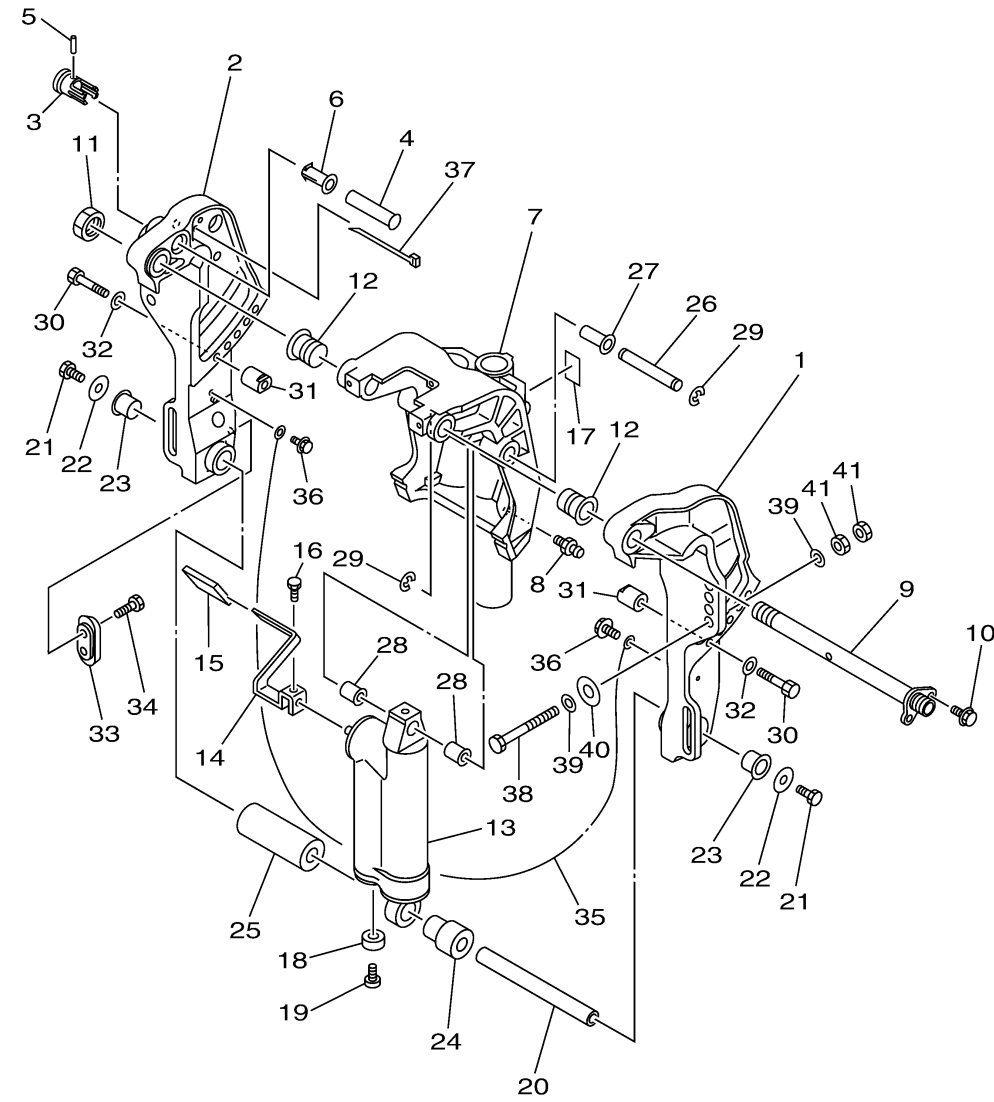
Ref No.	Part Number	Description	Qty	Remarks
1	6K9-43111-10-8D	BRACKET, CLAMP 1	0	
2	6BG-43112-10-8D	BRACKET, CLAMP 2	0	
3	6FM-43192-00-00	KNOB, STOPPER	0	
4	65W-43191-00-00	SHAFT, STOPPER	0	
5	91690-30018-00	PIN, SPRING	0	
6	6FM-43189-00-00	BUSHING	0	
7	6BG-43311-10-8D	BRACKET, SWIVEL 1	0	L(21.1")
8	93700-06004-00	NIPPLE, GREASE	0	
9	6K9-43131-01-00	BOLT, CLAMP BRACKET	0	
10	97E95-08520-00	BOLT, HEXAGON W/W DEEP RECESS	0	
11	90185-22043-00	NUT, SELF-LOCKING	0	
12	90386-22MA4-00	BUSH	0	
13	67C-43107-12-8D	SHOCK ABSORBER SUB-ASSY	0	L(21.1")
14	67C-43631-00-00	LEVER, TILT	0	
15	682-43318-01-00	COVER	0	
16	97D95-06010-00	BOLT, HEXAGON DEEP RECESS	0	
17	63D-43691-00-00	INDICATOR, TILT	0	
18	663-45251-00-00	ANODE	0	
19	90152-06M01-00	SCREW, COUNTERSUNK	0	
20	6BG-43818-00-00	PIN, LOWER SHOCK MOUNT	0	

CONTINUED ON NEXT FRAME >



6BTF100-V270

BRACKET 2



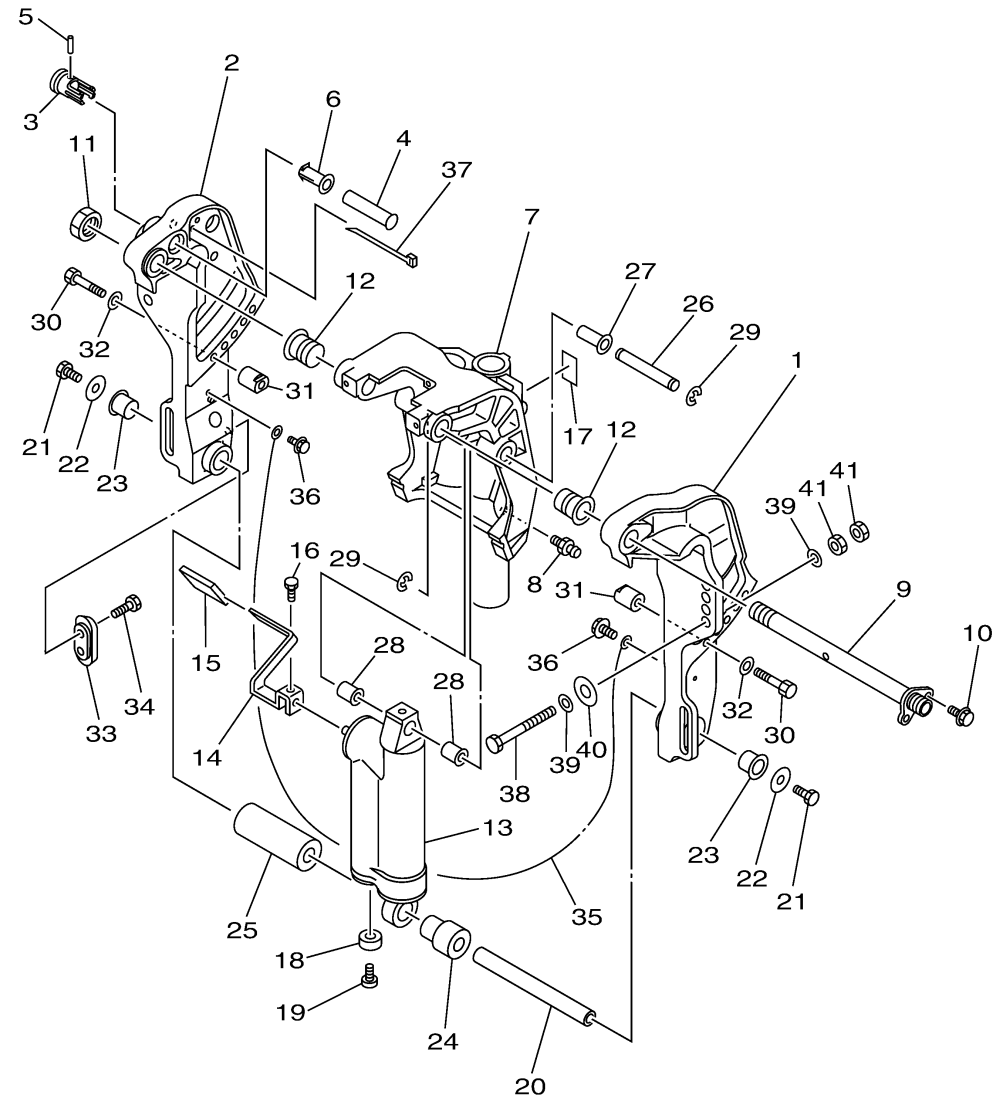
Ref No.	Part Number	Description	Qty	Remarks
21	97080-08016-00	BOLT	0	
22	90201-08M00-00	WASHER, PLATE	0	
23	90386-18M44-00	BUSH	0	
24	90386-18MA5-00	BUSH	0	
25	90387-18M03-00	COLLAR	0	
26	90249-12M38-00	PIN	0	
27	90381-12M10-00	BUSH, SOLID	0	
28	90381-12M11-00	BUSH, SOLID	0	
29	99080-10600-00	CIRCLIP	0	
30	97D95-10050-00	BOLT, HEXAGON DEEP RECESS	0	
31	6BG-43654-A0-00	NUT 1	0	
32	92995-10600-00	WASHER	0	
33	65W-45251-00-00	ANODE	0	
34	90101-06020-00	BOLT	0	
35	67C-82127-20-00	WIRE, LEAD 2	0	
36	97E95-06514-00	BOLT, HEXAGON W/W DEEP RECESS	0	
37	90465-13M11-00	CLAMP	0	
38	90101-12063-00	BOLT (L:105MM)	0	
39	90201-12062-00	WASHER, PLATE	0	
40	90201-12426-00	WASHER, PLATE	0	

CONTINUED ON NEXT FRAME >


6BTF100-V270

BRACKET 2

Ref No.	Part Number	Description	Qty	Remarks
41	95380-12600-00	NUT	0	



6BTF100-V270