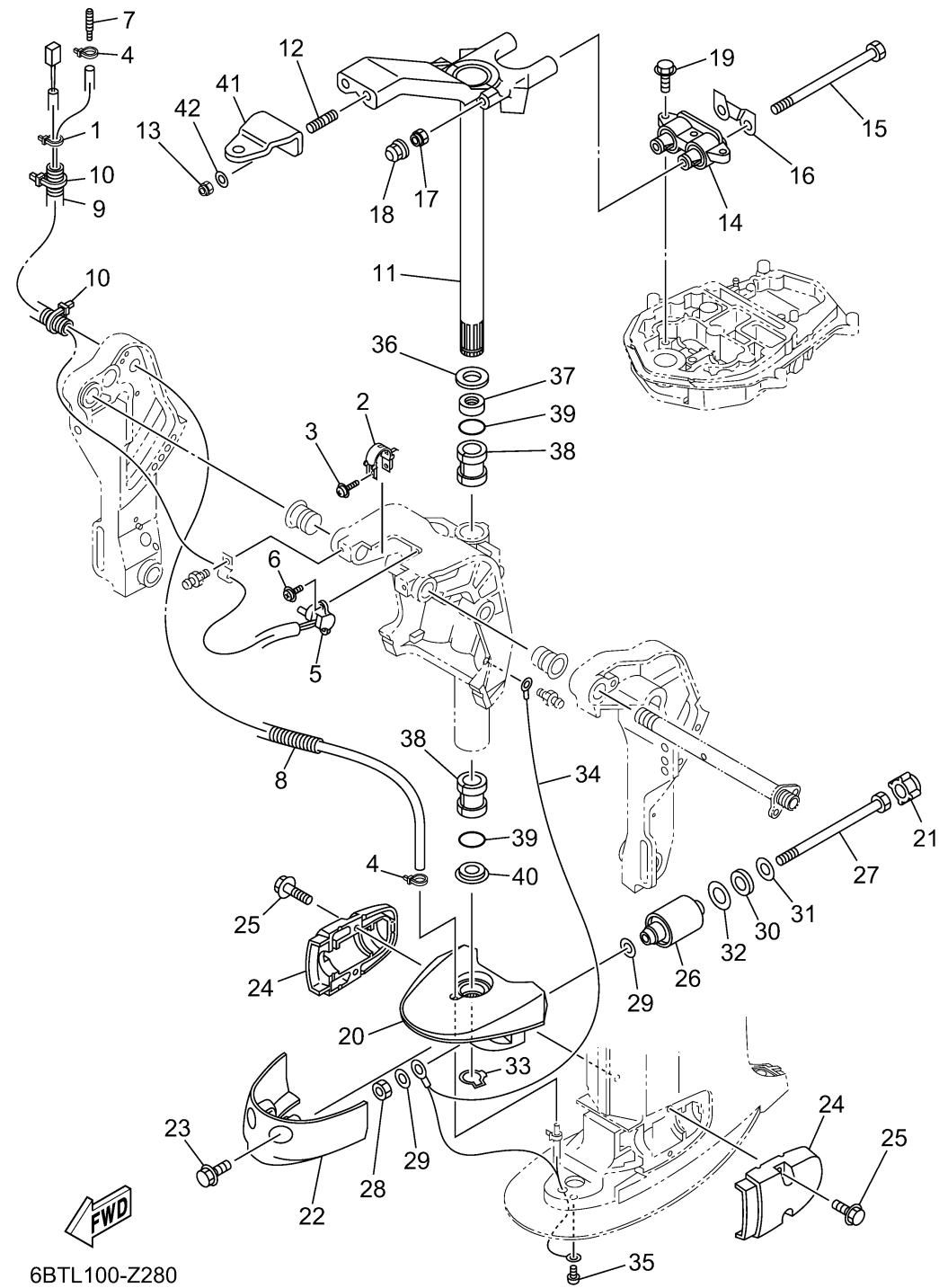


BRACKET 3

Ref No.	Part Number	Description	Qty	Remarks
1	90465-11M10-00	CLAMP	1	
2	6K9-43139-11-00	CAM, TRIM SENDER	1	
3	90159-05059-00	SCREW, WITH WASHER	1	
4	90465-11M10-00	CLAMP	2	
5	67H-83672-03-00	TRIM SENDER	1	
6	97985-06216-00	SCREW, WITH WASHER	2	
7	6E5-83558-00-00	END, NIPPLE	1	
8	6BG-44385-10-00	HOSE, WATER 1	1	L(21.1")
9	90447-19014-00	TUBE (L300)	1	
10	90465-13M18-00	CLAMP	2	
11	6BG-42510-10-8D	STEERING BRACKET ASSY	1	L(21.1")
12	90116-10063-00	BOLT, STUD	2	
13	90185-10027-00	NUT, SELF-LOCKING	2	
14	67C-44514-10-00	MOUNT DAMPER, UPPER SIDE	1	L(21.1")
15	90109-08229-00	BOLT	2	
16	66T-44526-30-00	PLATE	1	
17	90185-08018-00	NUT, SELF-LOCKING	2	
18	66T-44194-10-00	CAP	2	
19	97E95-08530-00	BOLT, HEXAGON W/W DEEP RECESS	3	
20	67C-44551-10-8D	HOUSING, LOWER MOUNT RUBBER 1	1	L(21.1")

CONTINUED ON NEXT FRAME >

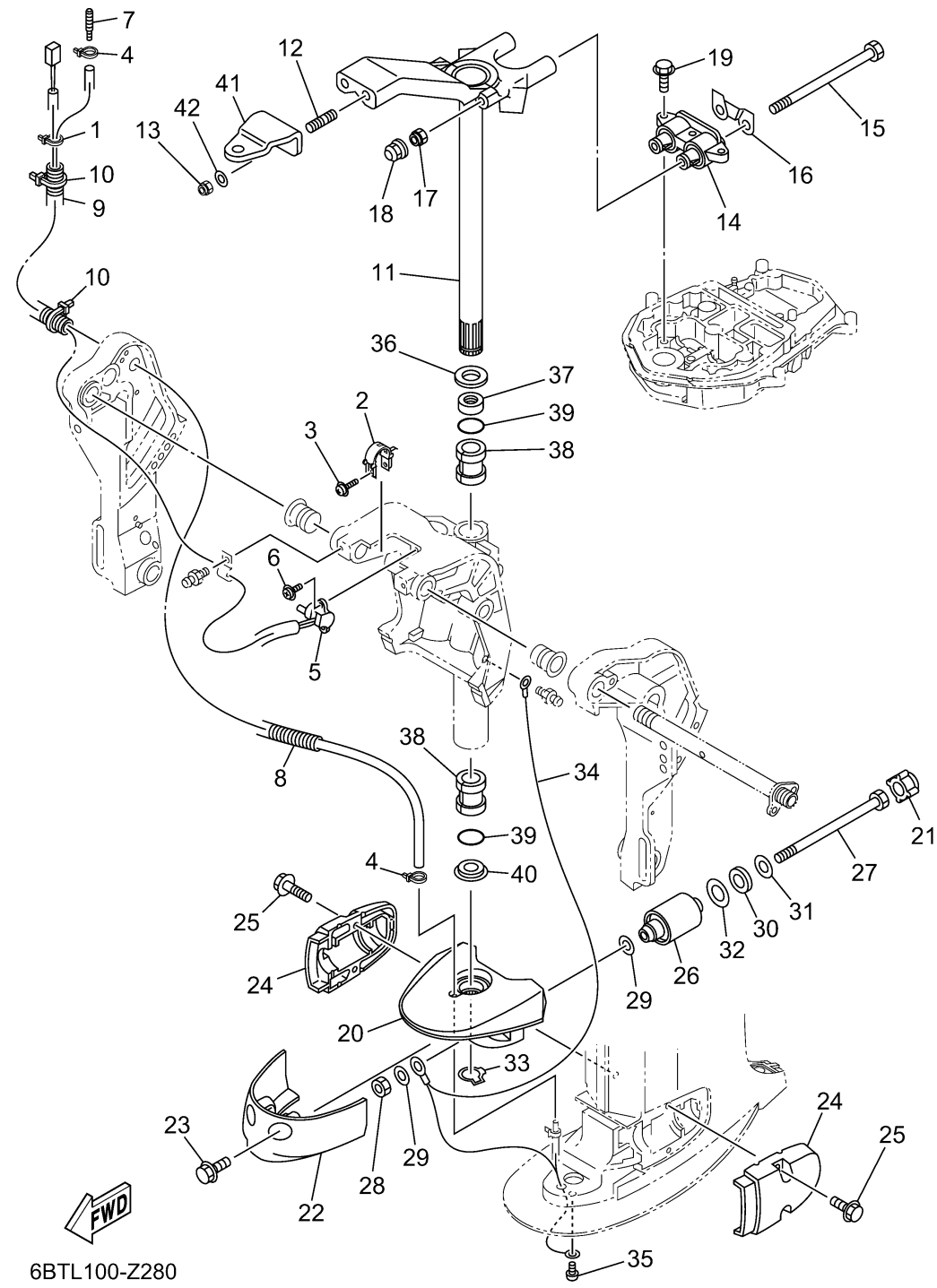


BRACKET 3

Ref No.	Part Number	Description	Qty	Remarks
21	69W-44575-01-00	DAMPER, LOWER MOUNT RUBBER	2	
22	67C-44553-00-8D	COVER, LOWER MOUNT	1	
23	97E95-08520-00	BOLT, HEXAGON W/W DEEP RECESS	2	
24	6C5-44552-00-8D	HOUSING, LOWER MOUNT RUBBER 2	2	
25	90119-08094-00	BOLT, WITH WASHER	4	
26	67C-44555-11-00	MOUNT DAMPER, LOWER SIDE	2	L(21.1")
27	90109-12MA3-00	BOLT	2	
28	95380-12700-00	NUT	2	
29	90201-12M16-00	WASHER, PLATE	4	
30	90202-21100-00	WASHER, PLATE	2	
31	90201-13M19-00	WASHER, PLATE	2	
32	90201-22M05-00	WASHER, PLATE	2	
33	93410-28M06-00	CIRCLIP	1	
34	67C-82127-10-00	WIRE, LEAD 2	1	L(21.1")
35	97885-06008-00	SCREW, PAN HEAD	1	
36	90201-30M00-00	WASHER, PLATE	1	
37	90386-30M78-00	BUSH	1	
38	90386-30M77-00	BUSH	2	
39	93210-29M94-00	O-RING	2	
40	90386-30M60-00	BUSH	1	

CONTINUED ON NEXT FRAME >

BRACKET 3



Ref No.	Part Number	Description	Qty	Remarks
41	65W-48511-01-00	HOOK, STEERING	1	
42	90201-10049-00	WASHER, PLATE	2	