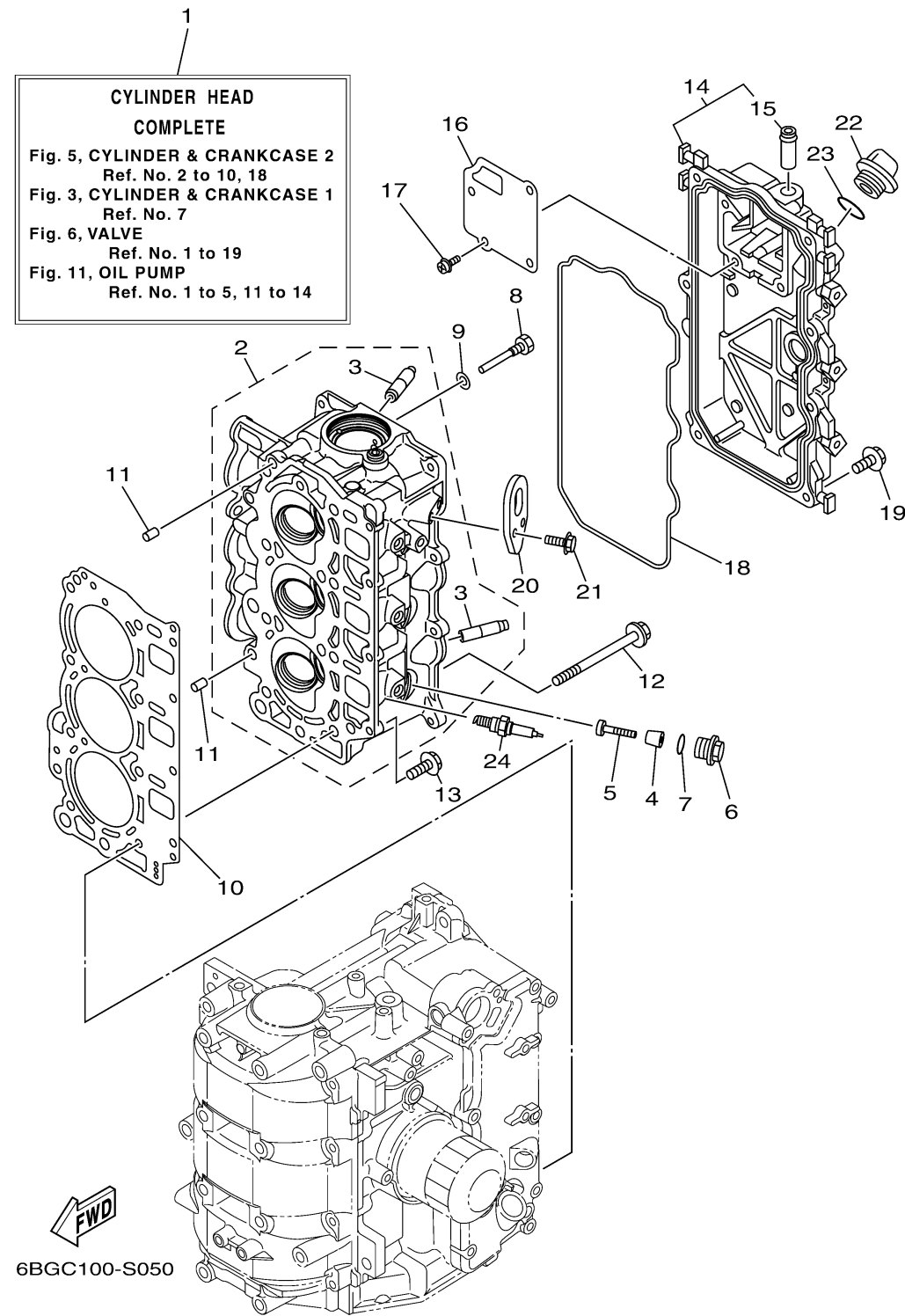


CYLINDER CRANKCASE 2

| Ref No. | Part Number | Description | Qty | Remarks |
|---------|-----------------|-------------------------------|-----|---------|
| 1 | 6BG-W009A-06-1S | CYLINDER HEAD COMPLETE | 1 | |
| 2 | 6BG-11111-11-1S | HEAD, CYLINDER 1 | 1 | |
| 3 | 62Y-11133-31-00 | . .GUIDE, VALVE 1 | 6 | |
| 4 | 6G8-11325-00-00 | ANODE | 3 | |
| 5 | 98980-05025-00 | SCREW, BIND | 3 | |
| 6 | 6G8-11197-B0-00 | PLUG, BLIND | 3 | |
| 7 | 93210-13M63-00 | .O-RING | 3 | |
| 8 | 90109-06M65-00 | BOLT | 1 | |
| 9 | 90430-06014-00 | .GASKET | 1 | |
| 10 | 6BG-11181-00-00 | .GASKET, CYLINDER HEAD 1 | 1 | |
| 11 | 99530-08012-00 | PIN, DOWEL | 2 | |
| 12 | 90105-09009-00 | BOLT, FLANGE | 8 | |
| 13 | 90119-06MA3-00 | BOLT, WITH WASHER | 4 | |
| 14 | 6BG-11191-10-1S | COVER, CYLINDER HEAD 1 | 1 | |
| 15 | 62Y-14485-00-00 | . .PIPE, JOINT | 1 | |
| 16 | 6BG-11168-00-00 | COVER, BREATHER | 1 | |
| 17 | 97607-04210-00 | SCREW, WITH WASHER | 4 | |
| 18 | 6BG-11356-00-00 | .SEAL, CYLINDER 2 | 1 | |
| 19 | 97E95-06520-00 | BOLT, HEXAGON W/W DEEP RECESS | 7 | |
| 20 | 6BG-11119-00-00 | HANGER, ENGINE | 1 | |

CONTINUED ON NEXT FRAME >



CYLINDER CRANKCASE 2

| Ref No. | Part Number | Description | Qty | Remarks |
|---------|-----------------|-------------------------------|-----|---------|
| 21 | 97E95-06520-00 | BOLT, HEXAGON W/W DEEP RECESS | 2 | |
| 22 | 6G8-15363-00-00 | PLUG, OIL | 1 | |
| 23 | 93210-24M79-00 | .O-RING | 1 | |
| 24 | DPR-6EB90-00-00 | PLUG, SPARK (NGK DPR6EB-9) | 3 | |