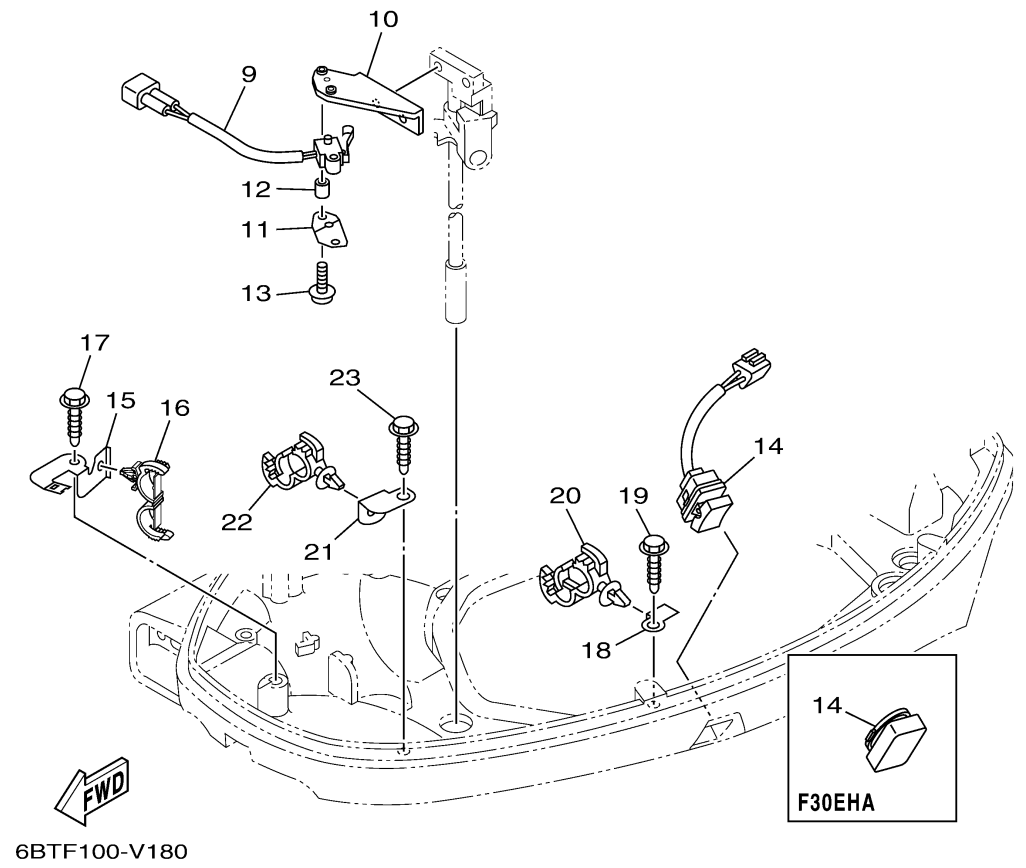
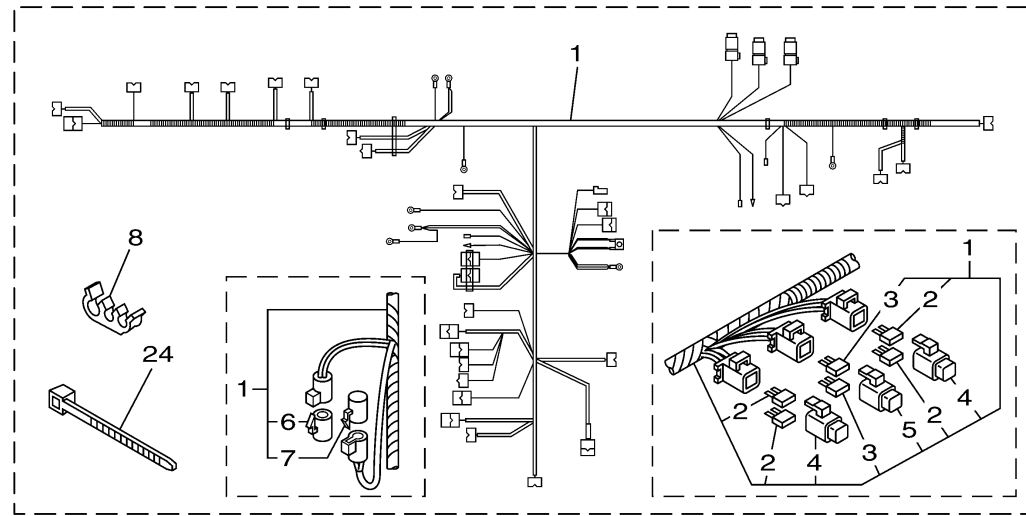


ELECTRICAL 5



Ref No.	Part Number	Description	Qty	Remarks
1	6BG-82590-14-00	WIRE HARNESS ASSY	0	
1	6BG-82590-06-00	WIRE HARNESS ASSY	1	
2	67F-82151-00-00	. . FUSE (20A)	4	
3	67F-82151-10-00	. . FUSE (30A)	2	
4	67F-8215B-10-00	. . CAP (YELLOW)	2	
5	67F-8215B-20-00	. . CAP (GREEN)	1	
6	6P2-82582-00-00	. . CAP 1 (FEMALE)	1	FOR 6BG-82590-06
7	6P2-82582-10-00	. . CAP 1 (MALE)	1	FOR 6BG-82590-06
8	90464-11008-00	CLAMP	1	
9	60V-8259F-01-00	SWITCH ASSY	1	
10	6CJ-82554-00-00	STAY, NEUTRAL SWITCH	1	
11	61A-82588-01-00	PLATE	1	
12	90387-04001-00	COLLAR	1	
13	97985-04116-00	SCREW, WITH WASHER	2	
14	6FM-42723-01-00	COVER, BOTTOM	0	
14	6FM-82563-01-00	TRIM & TILT SWITCH ASSY	1	
15	6BG-42811-01-00	STAY	1	
16	90464-18205-00	CLAMP	1	
17	90109-06M86-00	BOLT	1	
18	6BG-42743-00-00	BRACKET	1	

CONTINUED ON NEXT FRAME >

ELECTRICAL 5

Ref No.	Part Number	Description	Qty	Remarks
19	90109-06M86-00	BOLT	1	
20	90464-20181-00	CLAMP	1	
21	63P-42756-00-00	STAY, CLAMP	1	
22	90464-20181-00	CLAMP	1	
23	90109-06M86-00	BOLT	1	
24	90465-13M97-00	CLAMP	1	

