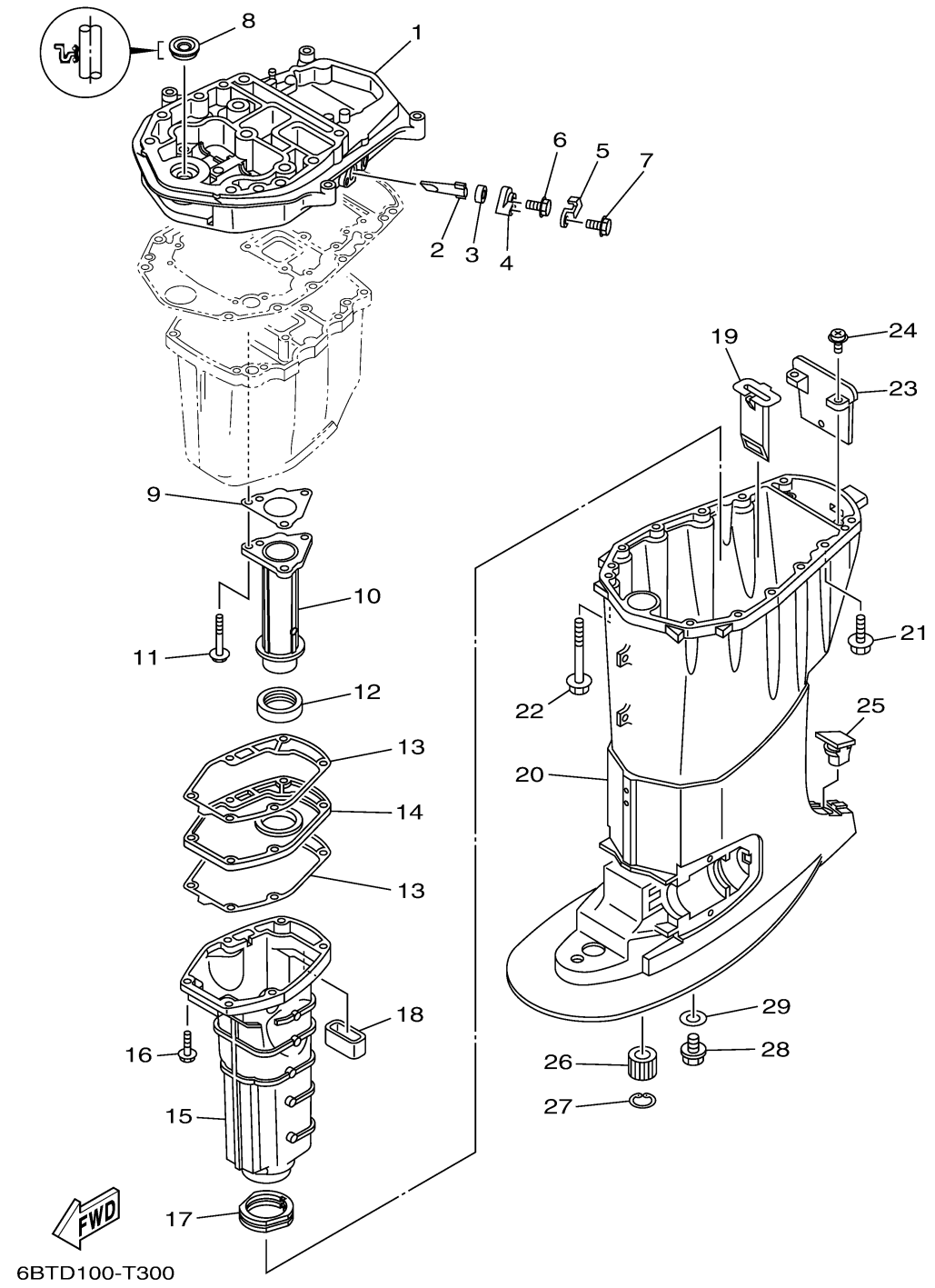


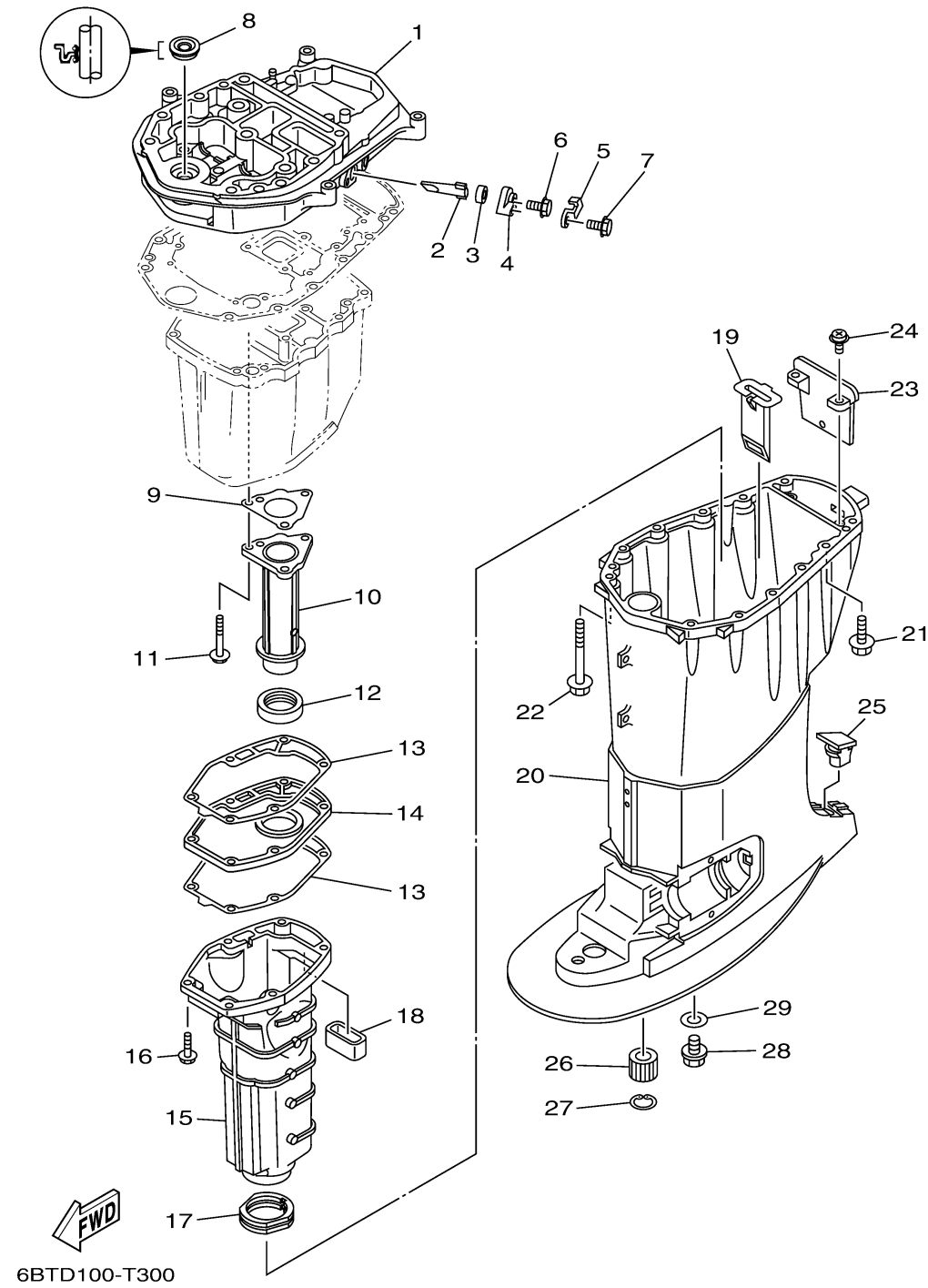
# UPPER CASING



Ref No.	Part Number	Description	Qty	Remarks
1	6BG-41137-10-CA	GUIDE, EXHAUST	1	
2	62Y-11325-00-00	ANODE	1	
3	66M-11328-01-00	GROMMET, ANODE	1	
4	66M-11327-00-94	COVER, ANODE	1	
5	66M-12535-00-00	PLATE	1	
6	97595-05512-00	BOLT, WITH WASHER	1	
7	97513-06520-00	BOLT, WITH WASHER	1	
8	93103-16011-00	.OIL SEAL	1	
9	64J-41133-10-00	.GASKET, EXHAUST MANIFOLD 1	1	
10	6BG-41131-A0-CA	MANIFOLD, EXT. 1	1	
11	97E75-06550-00	BOLT, HEXAGON W/W DEEP RECESS	3	
12	64J-46132-10-00	.GASKET 1	1	
13	6BG-41134-00-00	.GASKET, EXHAUST MANIFOLD 2	2	
14	6BG-45181-00-CA	PLATE	1	
15	69W-14711-11-CA	MUFFLER 1	1	L(21.1")
16	97E75-06525-00	BOLT, HEXAGON W/W DEEP RECESS	6	
17	67C-45123-00-00	.GASKET, MUFFLER	1	
18	62Y-45127-01-00	.SEAL	1	
19	64J-77123-00-00	GUIDE 1	1	
20	6BG-45111-20-8D	CASING, UPPER	1	L(21.1")

CONTINUED ON NEXT FRAME >

# UPPER CASING



Ref No.	Part Number	Description	Qty	Remarks
21	97E95-08530-00	BOLT, HEXAGON W/W DEEP RECESS	4	
22	90119-08202-00	BOLT, WITH WASHER	8	
23	67C-45151-00-00	COVER, UPPER CASING	1	
24	97980-05216-00	SCREW, WITH WASHER	2	
25	6C5-45155-02-00	CAP	1	L(21.1")
26	6A0-45318-00-00	BUSHING, DRIVE SHAFT	1	L(21.1")
27	93420-36M01-00	CIRCLIP	1	L(21.1")
28	90340-14M06-00	PLUG, STRAIGHT SCREW	1	L(21.1")
29	90430-14M09-00	.GASKET	1	L(21.1")