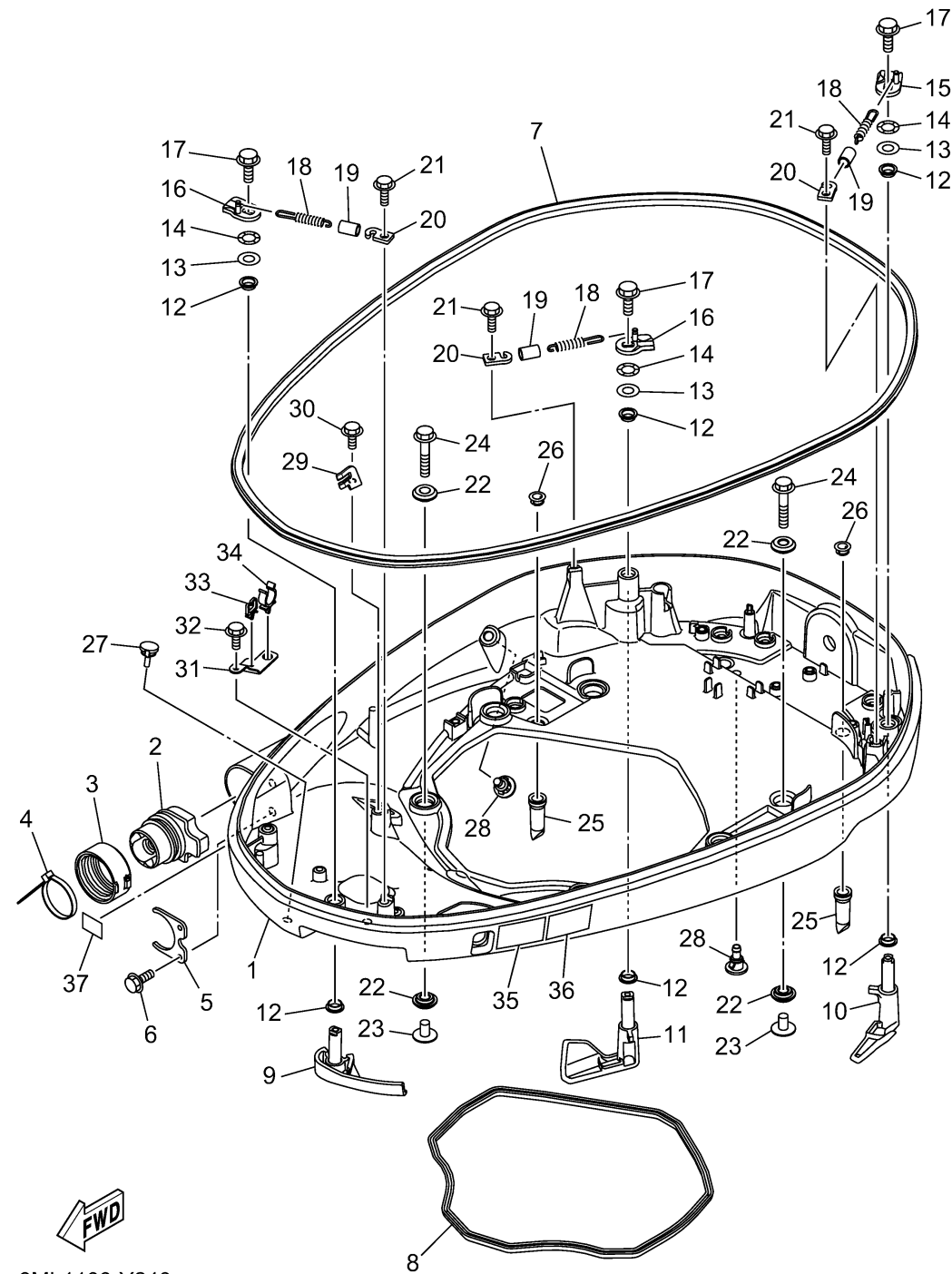


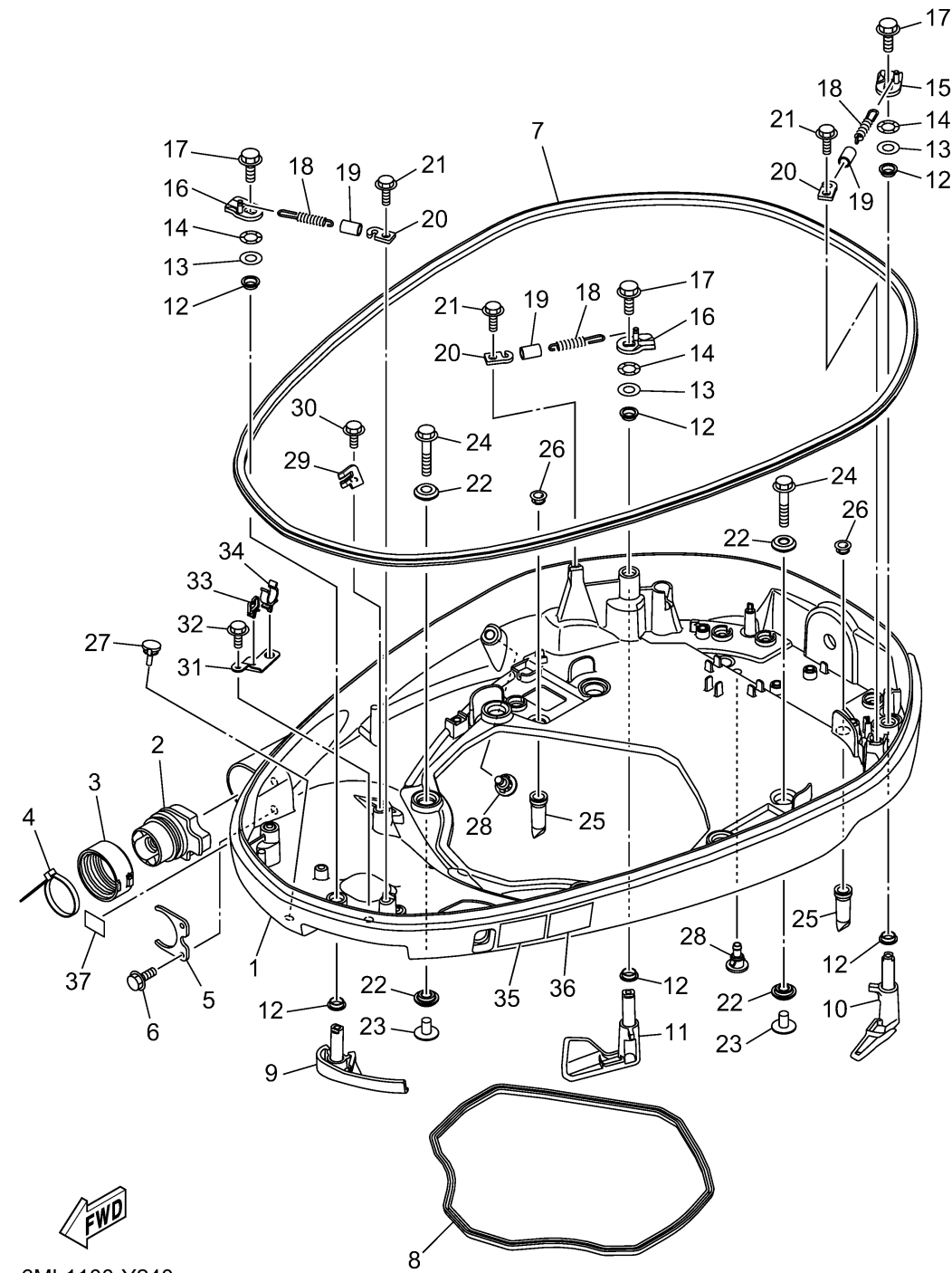
BOTTOM COWLING 1



Ref No.	Part Number	Description	Qty	Remarks
1	6KA-42710-00-8D	BOTTOM COWLING ASSY	1	GRAY
1	6KA-42710-00-CE	BOTTOM COWLING ASSY	0	WHITE
1	6KA-42710-00-CJ	BOTTOM COWLING ASSY	0	WARM WHITE
2	6KA-42725-01-00	GROMMET	1	
3	68F-42753-00-00	FASTNER	1	AP
4	90464-20258-00	CLAMP	1	AP
5	6CB-42761-00-00	STOPPER	1	
6	95D95-06014-00	BOLT, FLANGE DEEP RECESS	2	
7	6KA-42615-20-00	SEAL	1	
8	6CB-42716-01-00	RUBBER SEAL 1	1	
9	6KA-42815-00-8D	LEVER, CLAMP 1	1	GRAY
9	6KA-42815-00-CE	LEVER, CLAMP 1	0	WHITE
9	6KA-42815-00-CJ	LEVER, CLAMP 1	0	WARM WHITE
10	6KA-42816-00-CJ	LEVER, CLAMP 2	0	WARM WHITE
10	6KA-42816-00-8D	LEVER, CLAMP 2	1	GRAY
10	6KA-42816-00-CE	LEVER, CLAMP 2	0	WHITE
11	6KA-42817-00-8D	LEVER, CLAMP 3	1	GRAY
11	6KA-42817-00-CE	LEVER, CLAMP 3	0	WHITE
11	6KA-42817-00-CJ	LEVER, CLAMP 3	0	WARM WHITE
12	90386-15M73-00	BUSH	6	

CONTINUED ON NEXT FRAME >

BOTTOM COWLING 1



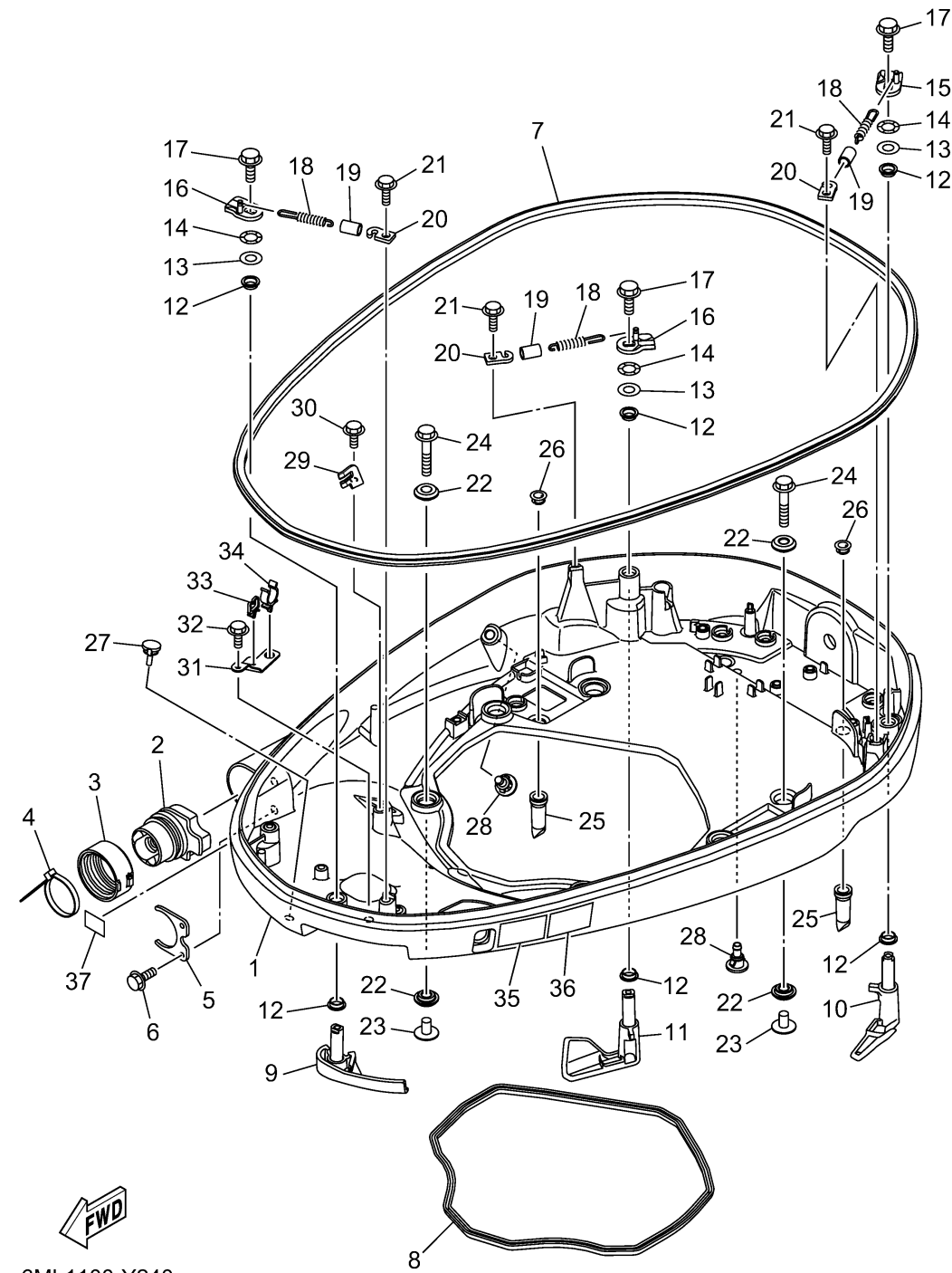
6ML1100-Y240

Ref No.	Part Number	Description	Qty	Remarks
13	90201-156J2-00	WASHER, PLATE	3	
14	90206-15M18-00	WASHER, WAVE	3	
15	6CB-42818-00-00	LEVER, CLAMP 4	1	
16	6CB-42819-00-00	LEVER, CLAMP 5	2	
17	95D95-08012-00	BOLT, FLANGE DEEP RECESS	3	
18	90506-22001-00	SPRING, TENSION	3	
19	90445-15M03-00	HOSE (L23)	3	
20	66T-43144-00-00	HOOK, SPRING	3	
21	95D95-06012-00	BOLT, FLANGE DEEP RECESS	3	
22	90480-22M81-00	GROMMET	12	
23	90387-08M37-00	COLLAR	6	
24	90119-08187-00	BOLT, WITH WASHER	6	
25	6DA-42717-01-00	RUBBER, SEAL 2	4	
26	6DA-42384-00-00	SEAL, CAP	4	
27	6H4-42748-01-00	GROMMET	1	
28	6P2-44391-00-00	NIPPLE, HOSE	2	
29	6ML-42766-00-00	BRACKET 2	1	
30	95D95-06012-00	BOLT, FLANGE DEEP RECESS	1	
31	6ML-42756-00-00	STAY, CLAMP	1	
32	95D95-06012-00	BOLT, FLANGE DEEP RECESS	1	

CONTINUED ON NEXT FRAME >

BOTTOM COWLING 1

Ref No.	Part Number	Description	Qty	Remarks
33	90464-08004-00	CLAMP	1	
34	90464-19M45-00	CLAMP	1	
35	6EE-42794-41-00	LABEL, WARNING (GENERAL)	1	
36	6EE-42794-51-00	LABEL, WARNING (GENERAL)	1	
37	6AH-81996-01-00	MARK	1	



6ML1100-Y240