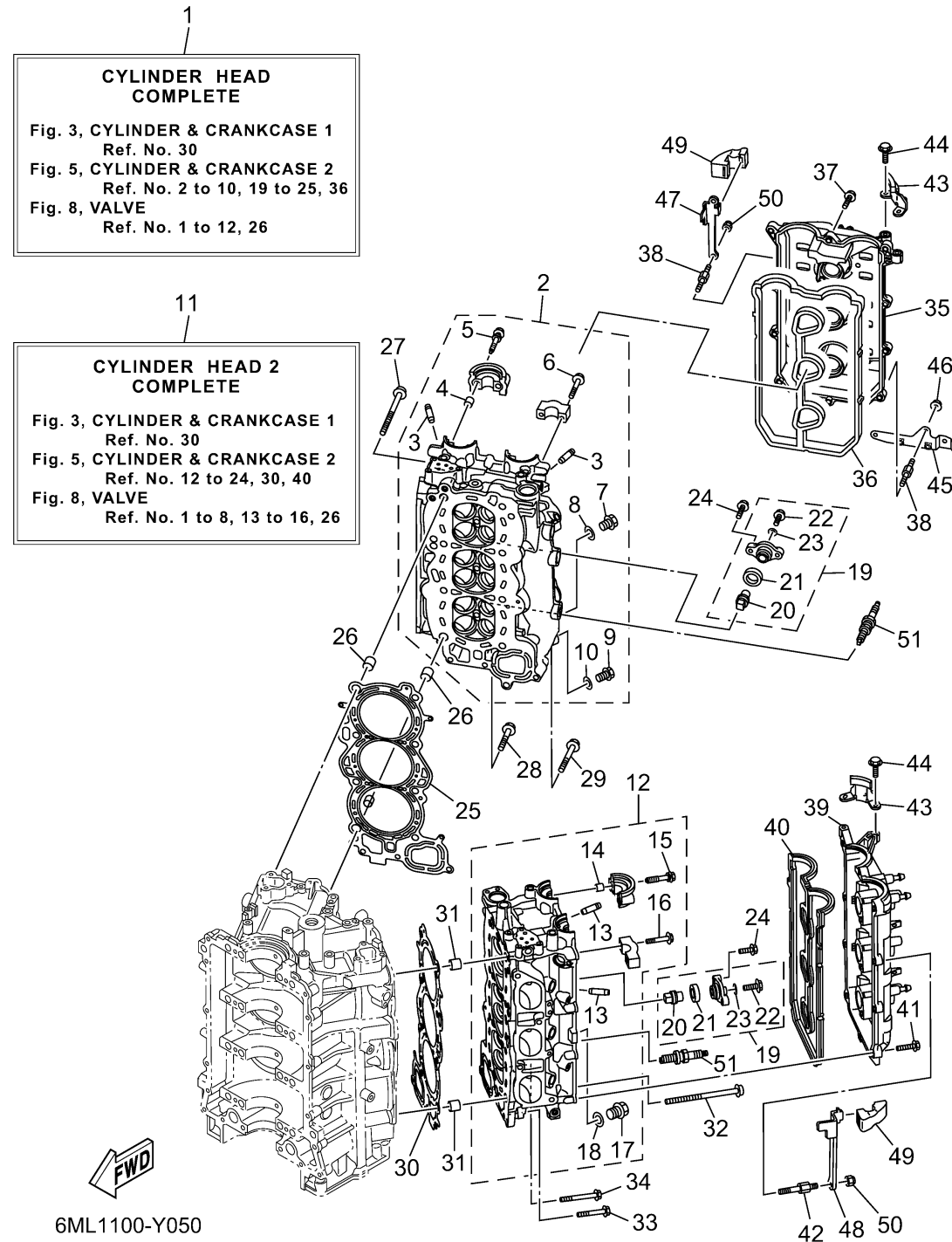
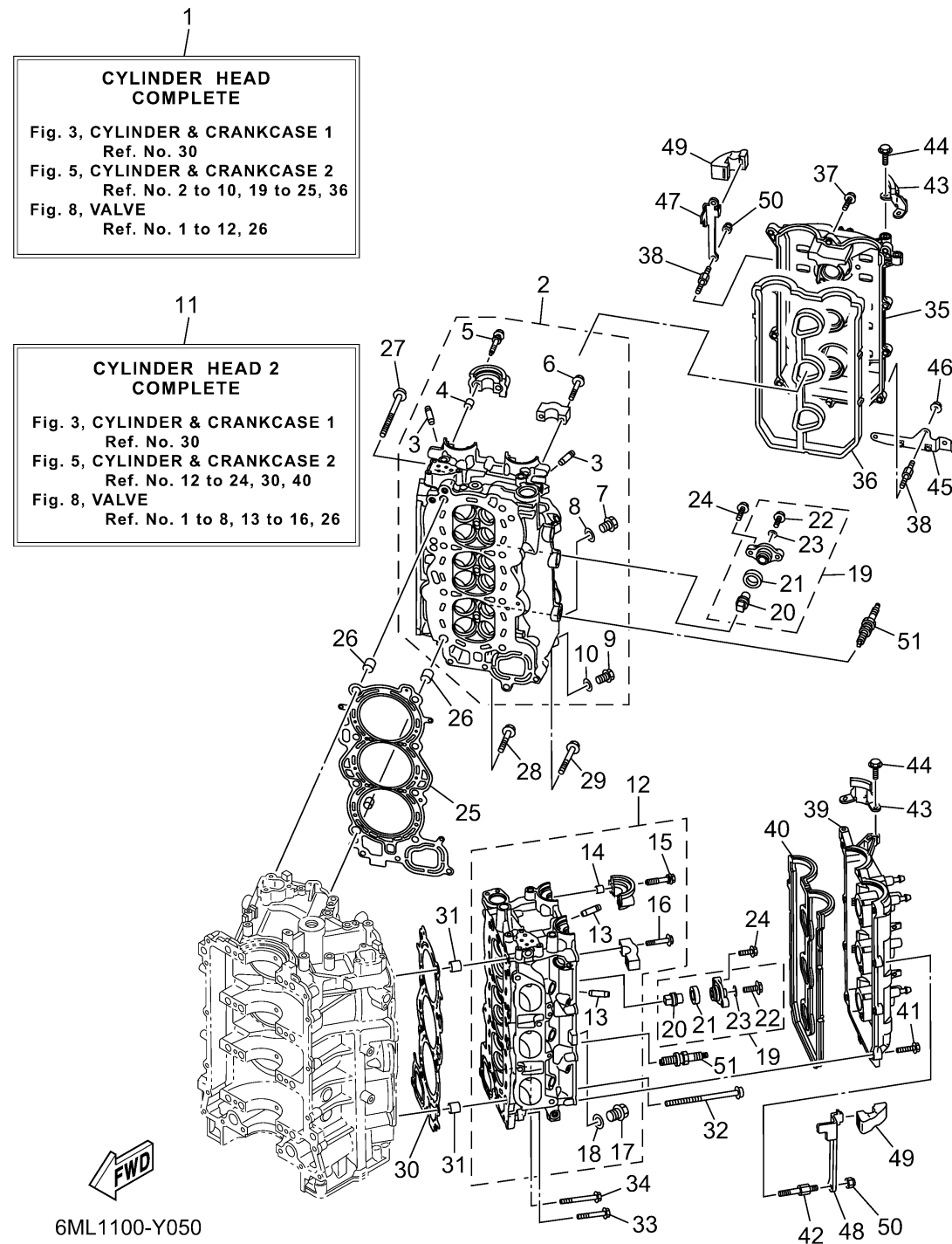


CYLINDER CRANKCASE 2



Ref No.	Part Number	Description	Qty	Remarks
1	6ML-W009A-00-9S	CYLINDER HEAD COMPLETE	1	
2	6ML-11110-00-9S	CYLINDER HEAD ASSY	1	
3	6S5-11133-10-00	. .GUIDE, VALVE 1	12	
4	91809-08006-00	. .PIN, DOWEL	4	
5	90119-07001-00	. .BOLT, WITH WASHER	4	
6	90119-07234-00	. .BOLT, WITH WASHER	12	
7	90340-18M09-00	. .PLUG, STRAIGHT SCREW	1	
8	90201-186F1-00	. .WASHER, PLATE	1	
9	90340-14M06-00	. .PLUG, STRAIGHT SCREW	1	
10	90430-14115-00	. .GASKET	1	
11	6ML-W009C-00-9S	CYLINDER HEAD 2 COMPLETE	1	
12	6ML-11120-00-9S	CYLINDER HEAD ASSY 2	1	
13	6S5-11133-10-00	. .GUIDE, VALVE 1	12	
14	91809-08006-00	. .PIN, DOWEL	4	
15	90119-07001-00	. .BOLT, WITH WASHER	4	
16	90119-07234-00	. .BOLT, WITH WASHER	12	
17	90340-18M09-00	. .PLUG, STRAIGHT SCREW	1	
18	90201-186F1-00	. .WASHER, PLATE	1	
19	6ML-11301-00-00	ANODE COVER ASSY	8	
20	6ML-11325-00-00	. .ANODE	1	

CONTINUED ON NEXT FRAME >

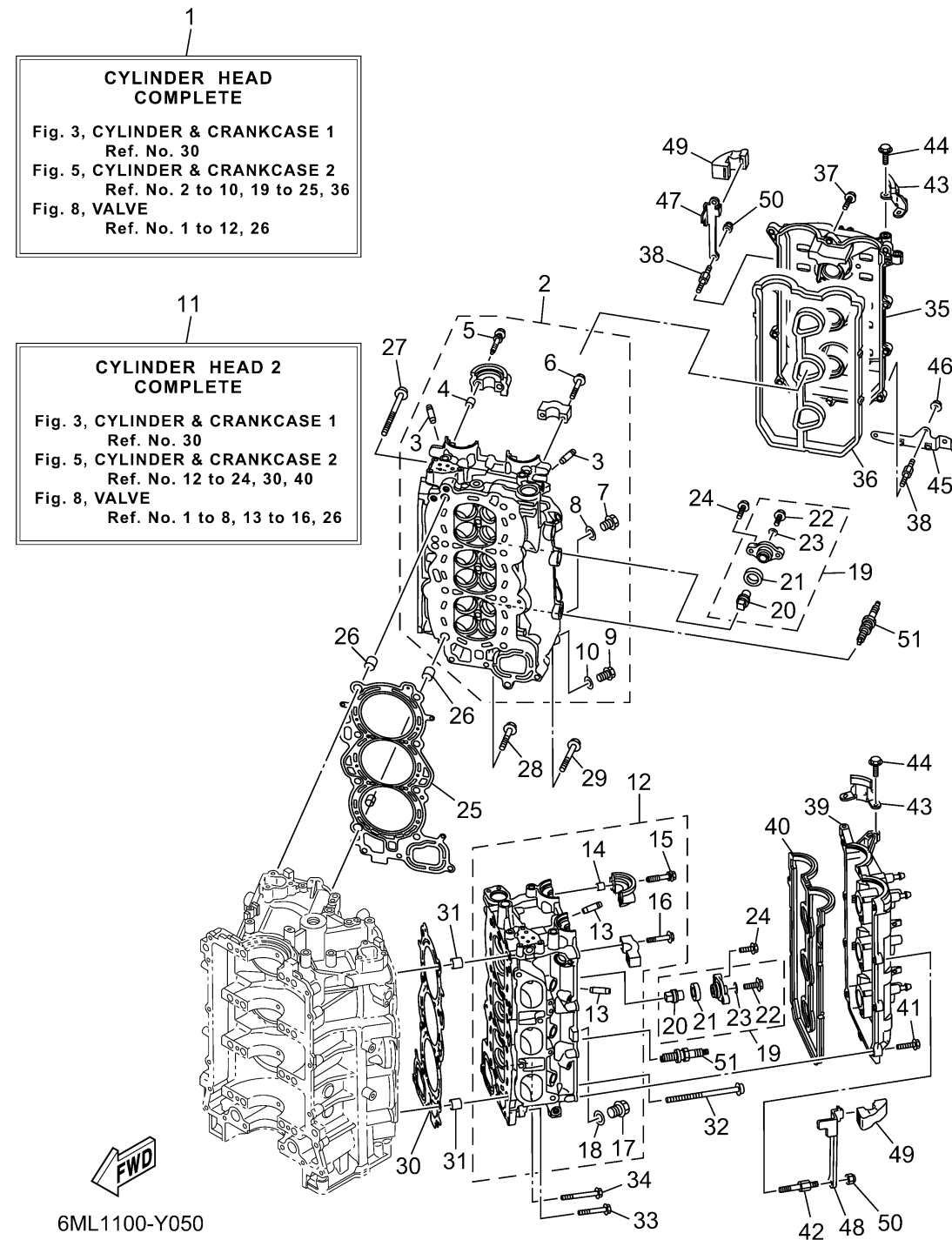


CYLINDER CRANKCASE 2

Ref No.	Part Number	Description	Qty	Remarks
21	67F-11328-01-00	.GROMMET, ANODE	1	
22	90105-06M07-00	.BOLT, FLANGE	1	
23	90430-06M03-00	.GASKET	1	
24	95D95-08025-00	BOLT, FLANGE DEEP RECESS	16	
25	6ML-11181-00-00	.GASKET, CYLINDER HEAD 1	1	
26	90387-11005-00	COLLAR	2	
27	90149-11001-00	SCREW	8	
28	90105-08175-00	BOLT, FLANGE	2	
29	90105-08220-00	BOLT, FLANGE	1	
30	6ML-11182-00-00	.GASKET, CYLINDER HEAD 2	1	
31	90387-11005-00	COLLAR	2	
32	90149-11001-00	SCREW	8	
33	90105-08175-00	BOLT, FLANGE	2	
34	90105-08220-00	BOLT, FLANGE	1	
35	6ML-11191-00-00	COVER, CYLINDER HEAD 1	1	
36	6CB-11193-00-00	.GASKET, HEAD COVER 1	1	
37	95D95-06030-00	BOLT, FLANGE DEEP RECESS	9	
38	90109-06277-00	BOLT	4	
39	6CB-11192-02-00	COVER, CYLINDER HEAD 2	1	
40	6CB-11194-00-00	.GASKET, HEAD COVER 2	1	

CONTINUED ON NEXT FRAME >

CYLINDER CRANKCASE 2



Ref No.	Part Number	Description	Qty	Remarks
41	95D95-06030-00	BOLT, FLANGE DEEP RECESS	11	
42	90109-06277-00	BOLT	2	
43	6ML-15142-00-00	GUIDE 1	2	
44	95D95-06014-00	BOLT, FLANGE DEEP RECESS	4	
45	6KA-2134V-00-00	BRACKET	1	
46	90179-06M28-00	NUT	2	
47	6KW-11998-00-00	BRACKET 1	1	
48	6KW-11999-00-00	BRACKET 2	1	
49	6KW-42662-00-00	DAMPER	2	
50	90185-06M07-00	NUT, SELF-LOCKING	4	
51	LMA-R7E90-00-00	PLUG, SPARK (NGK ILMAR7E9)	6	