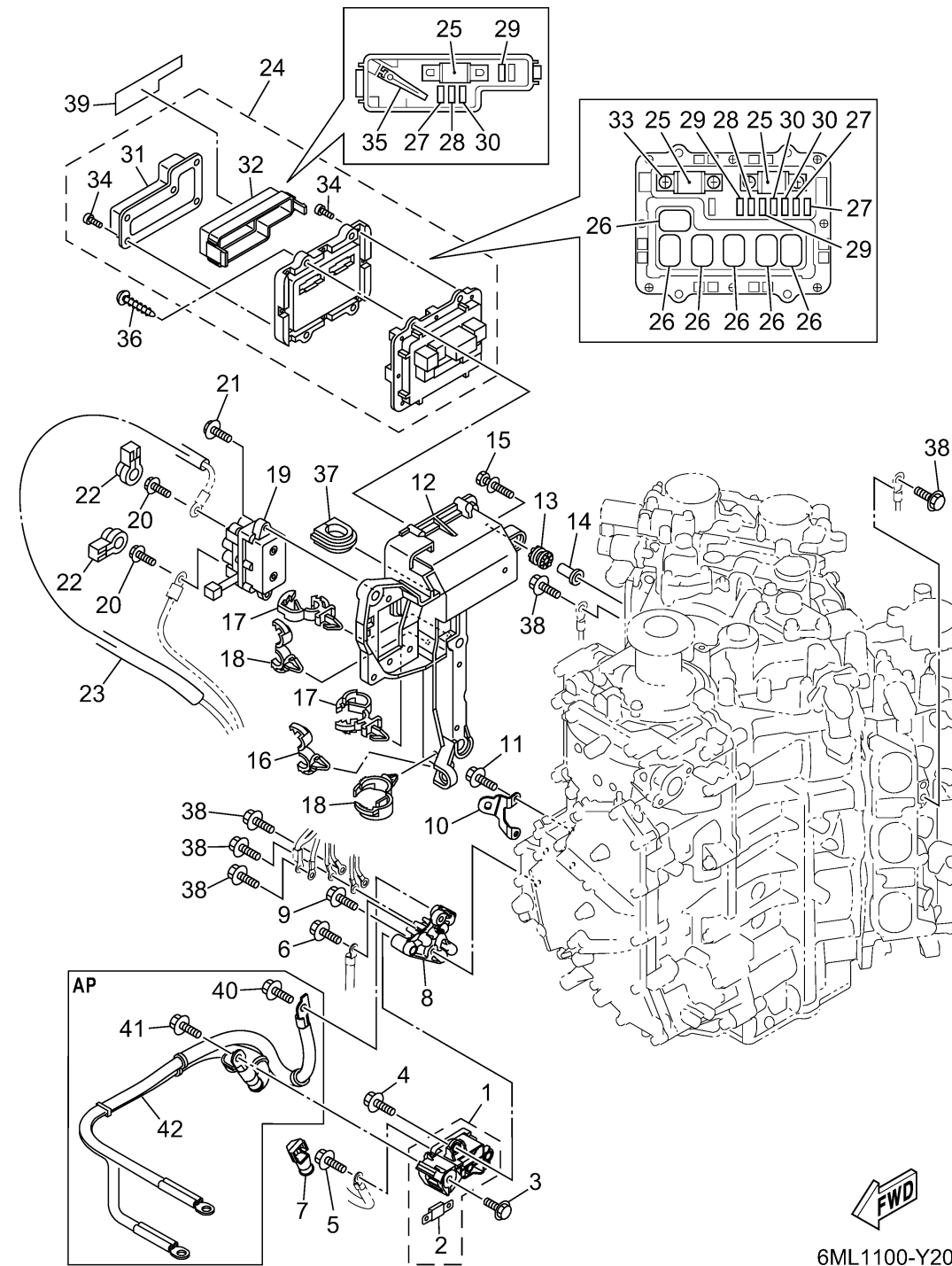


# ELECTRICAL 3

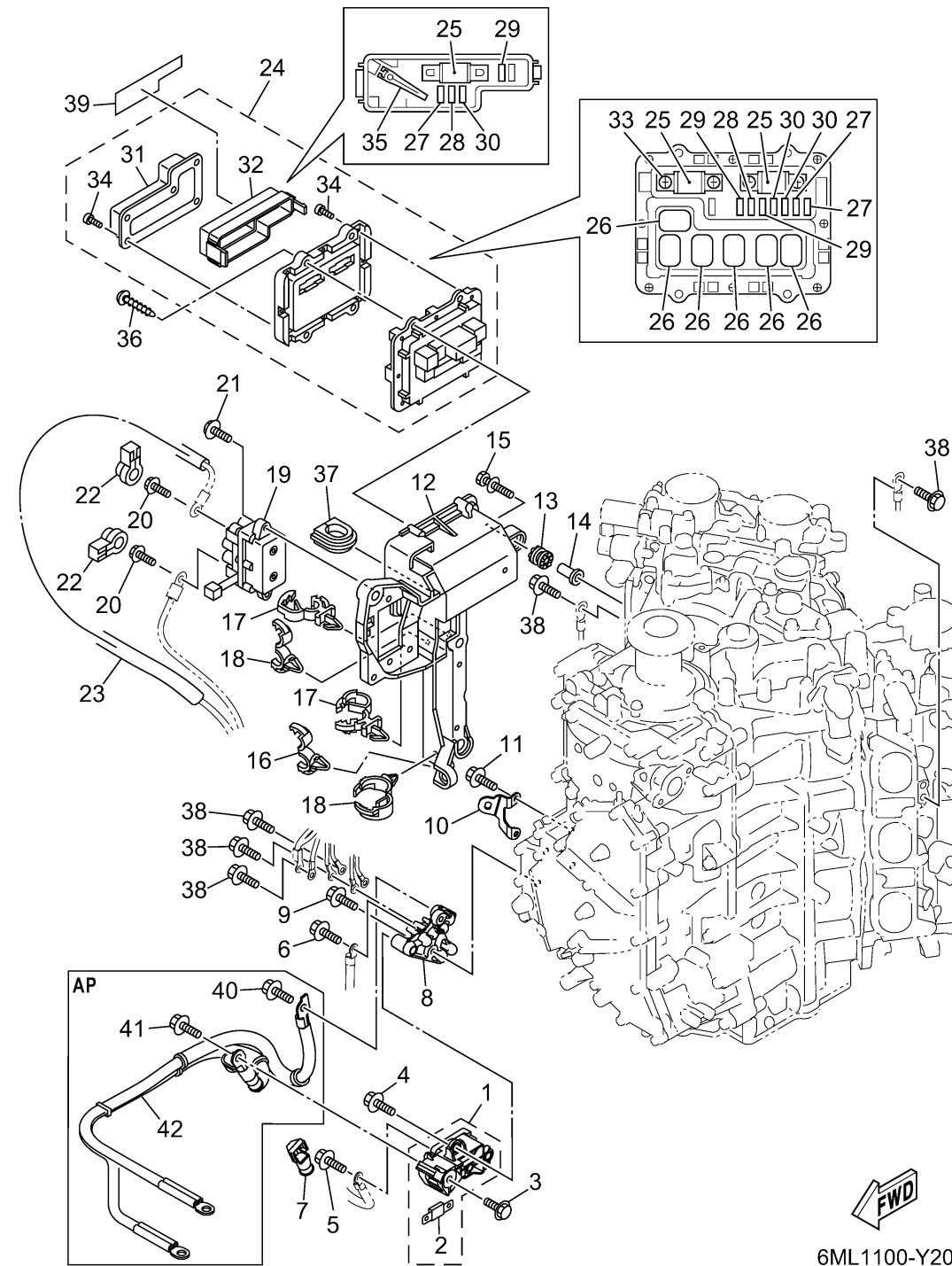


Ref No.	Part Number	Description	Qty	Remarks
1	6KA-81920-00-00	TERMINAL ASSY	1	
2	6GR-82151-00-00	. . FUSE (100A)	2	
3	95D95-08016-00	BOLT, FLANGE DEEP RECESS	1	
4	95D95-08020-00	BOLT, FLANGE DEEP RECESS	2	
5	97E95-06516-00	BOLT, HEXAGON W/W DEEP RECESS	1	
6	97E95-06516-00	BOLT, HEXAGON W/W DEEP RECESS	1	
7	6GR-82119-00-00	COVER, LEAD WIRE	1	
8	6ML-81929-00-00	BRACKET, TERMINAL	1	
9	95D95-06020-00	BOLT, FLANGE DEEP RECESS	2	
10	6ML-82588-00-00	PLATE	1	
11	95D95-06016-00	BOLT, FLANGE DEEP RECESS	2	
12	6CB-81948-02-00	BRACKET	1	
13	64J-85516-01-00	SPACER	5	
14	69M-42758-01-00	COLLAR	5	
15	90119-06293-00	BOLT, WITH WASHER	5	
16	90464-13249-00	CLAMP	1	
17	90464-12183-00	CLAMP	2	
18	90464-20181-00	CLAMP	2	
19	6AW-W8195-10-00	RELAY ASSY	1	
20	97E95-06610-00	BOLT, HEXAGON W/W DEEP RECESS	2	

CONTINUED ON NEXT FRAME >

6ML1100-Y200

# ELECTRICAL 3



Ref No.	Part Number	Description	Qty	Remarks
21	97513-06520-00	BOLT, WITH WASHER	2	
22	6P2-8183X-00-00	CAP, TERMINAL	2	
23	90446-15006-00	HOSE (L150)	1	
24	6ML-82170-00-00	FUSE BOX ASSY	1	
25	6CE-82151-00-00	..FUSE (100A)	3	
26	6AW-8195A-00-00	..RELAY ASSY	6	
27	67F-82151-40-00	..FUSE (10A)	3	
28	67F-82151-50-00	..FUSE (15A)	2	
29	67F-82151-00-00	..FUSE (20A)	3	
30	67F-82151-10-00	..FUSE (30A)	3	
31	6CB-81639-10-00	..COVER	1	
32	6CB-85544-00-00	..CASE	1	
33	68F-82846-00-00	..SCREW, PAN HEAD (M5)	4	
34	6P2-82113-00-00	..SCREW (M3)	13	
35	67F-2812A-00-00	..PULLER, FUSE	1	
36	97780-50620-00	SCREW, TAPPING	4	
37	6P2-81336-01-00	GROMMET	1	
38	97E95-06516-00	BOLT, HEXAGON W/W DEEP RECESS	5	
39	6ML-81919-00-00	GRAPHIC, REGULATOR	1	
40	97E95-08516-00	BOLT, HEXAGON W/W DEEP RECESS	1	AP

CONTINUED ON NEXT FRAME >

# ELECTRICAL 3

Ref No.	Part Number	Description	Qty	Remarks
41	97E95-08516-00	BOLT, HEXAGON W/W DEEP RECESS	1	AP
42	6ML-82105-01-00	WIRE HARNESS	1	AP

