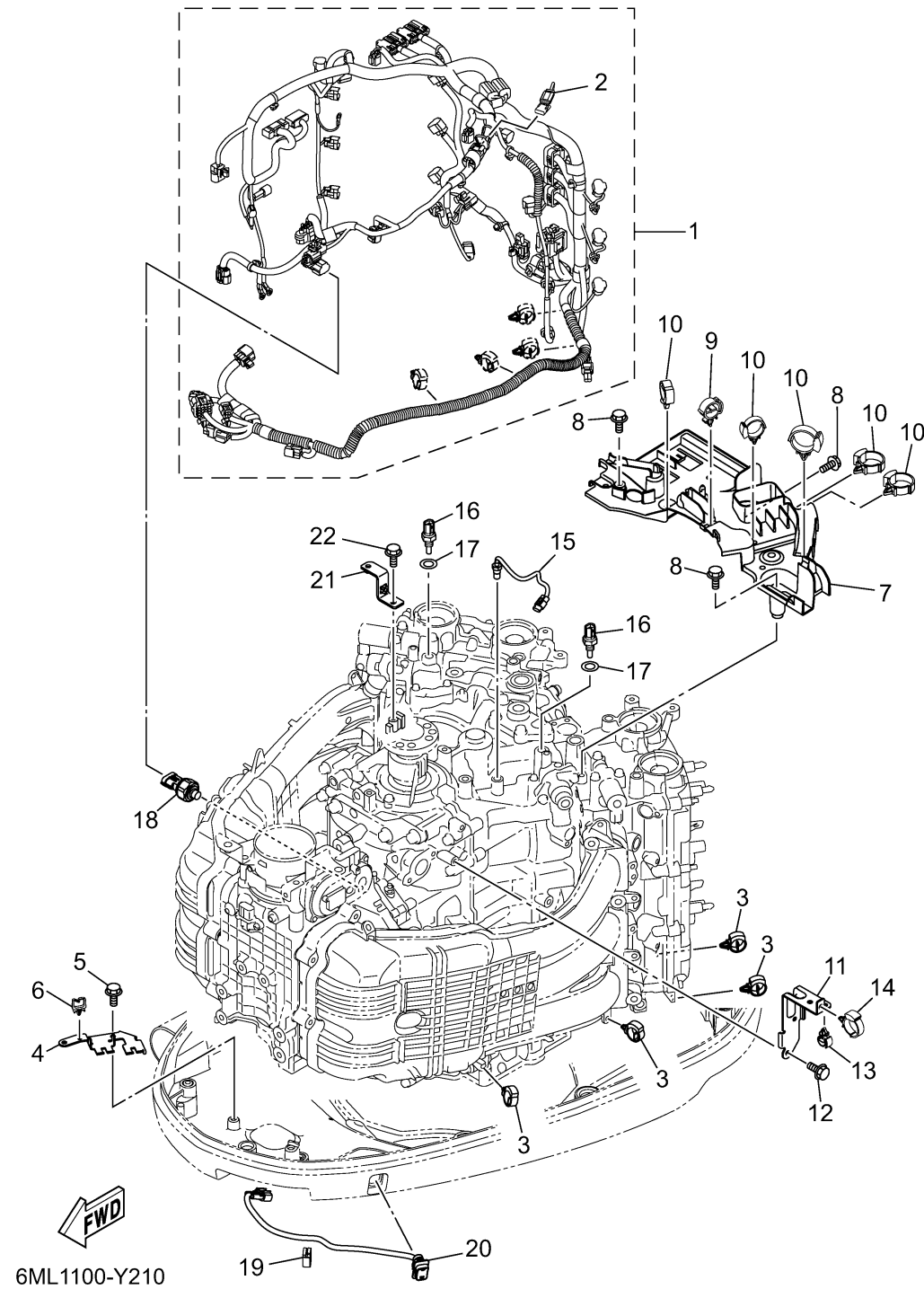


# ELECTRICAL 4



Ref No.	Part Number	Description	Qty	Remarks
1	6ML-82590-00-00	WIRE HARNESS ASSY	1	
2	6CE-81980-01-00	..DIODE ASSY	1	
3	90464-20181-00	CLAMP	4	
4	6ML-82594-00-00	CLAMP	1	
5	95D95-06012-00	BOLT, FLANGE DEEP RECESS	2	
6	90464-08004-00	CLAMP	1	
7	6ML-82589-00-00	PROTECTOR, WIRE HARNESS	1	
8	95D95-06020-00	BOLT, FLANGE DEEP RECESS	3	
9	90464-18246-00	CLAMP	1	
10	90464-12183-00	CLAMP	5	
11	6ML-82388-00-00	PLATE	1	
12	95D95-06016-00	BOLT, FLANGE DEEP RECESS	2	
13	90464-13249-00	CLAMP	1	
14	90464-12183-00	CLAMP	1	
15	6CB-85790-00-00	THERMOSENSOR ASSY	1	
16	6ML-85790-00-00	THERMOSENSOR ASSY	2	
17	90430-10004-00	GASKET	2	
18	6AW-83651-01-00	SENDER, OIL PRESSURE	1	
19	90464-16001-00	CLAMP	1	
20	6GR-82563-00-00	TRIM & TILT SWITCH	1	

CONTINUED ON NEXT FRAME >

# ELECTRICAL 4

Ref No.	Part Number	Description	Qty	Remarks
21	6CB-81952-00-00	HOLDER, RELAY	1	
22	95D95-06016-00	BOLT, FLANGE DEEP RECESS	1	

