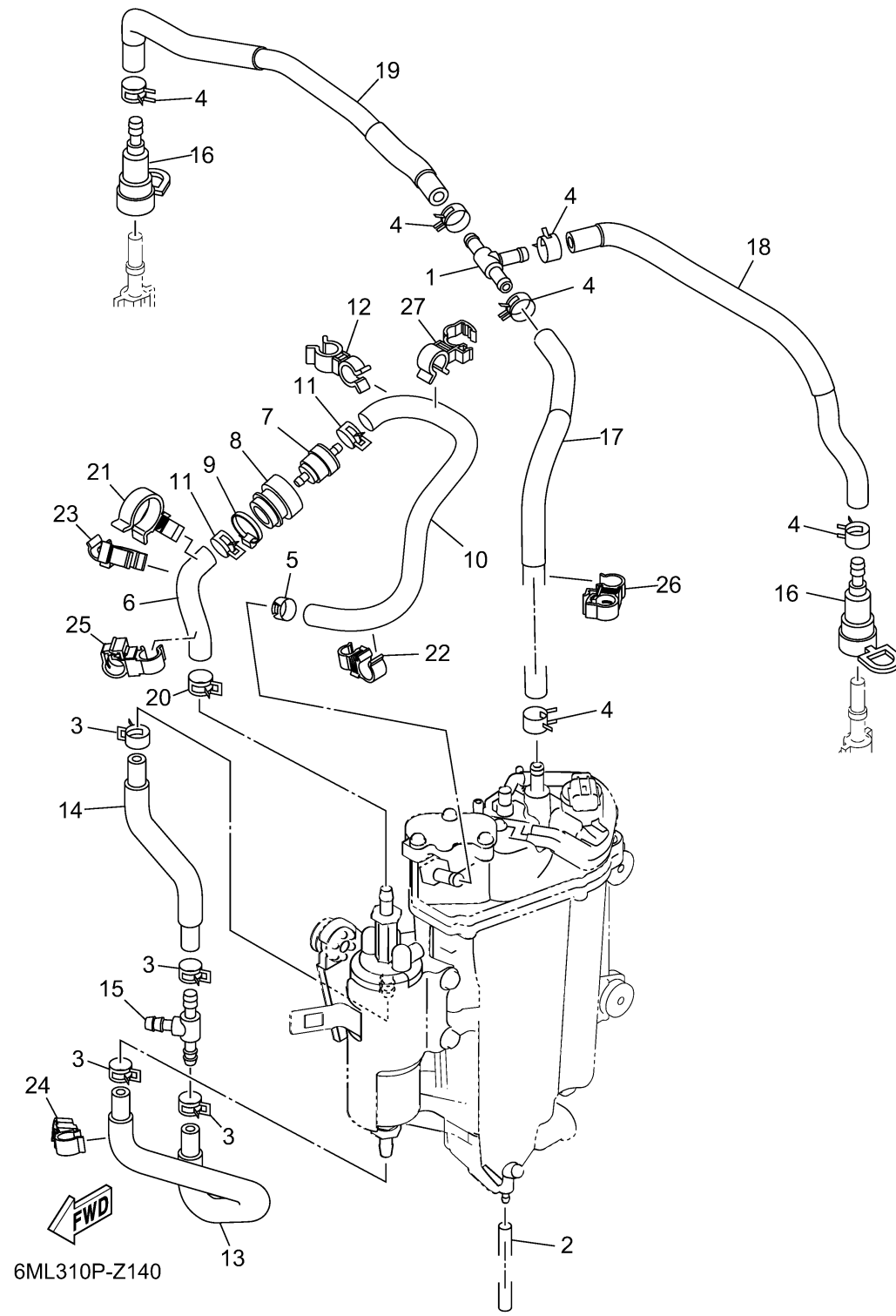


FUEL INJECTION PUMP 2



Ref No.	Part Number	Description	Qty	Remarks
21	90464-23001-00	CLAMP	1	
22	90464-12010-00	CLAMP	1	
23	90464-13013-00	CLAMP	1	
24	90464-12009-00	CLAMP	1	
25	90464-12012-00	CLAMP	1	
26	90464-12012-00	CLAMP	1	
27	90464-12012-00	CLAMP	1	