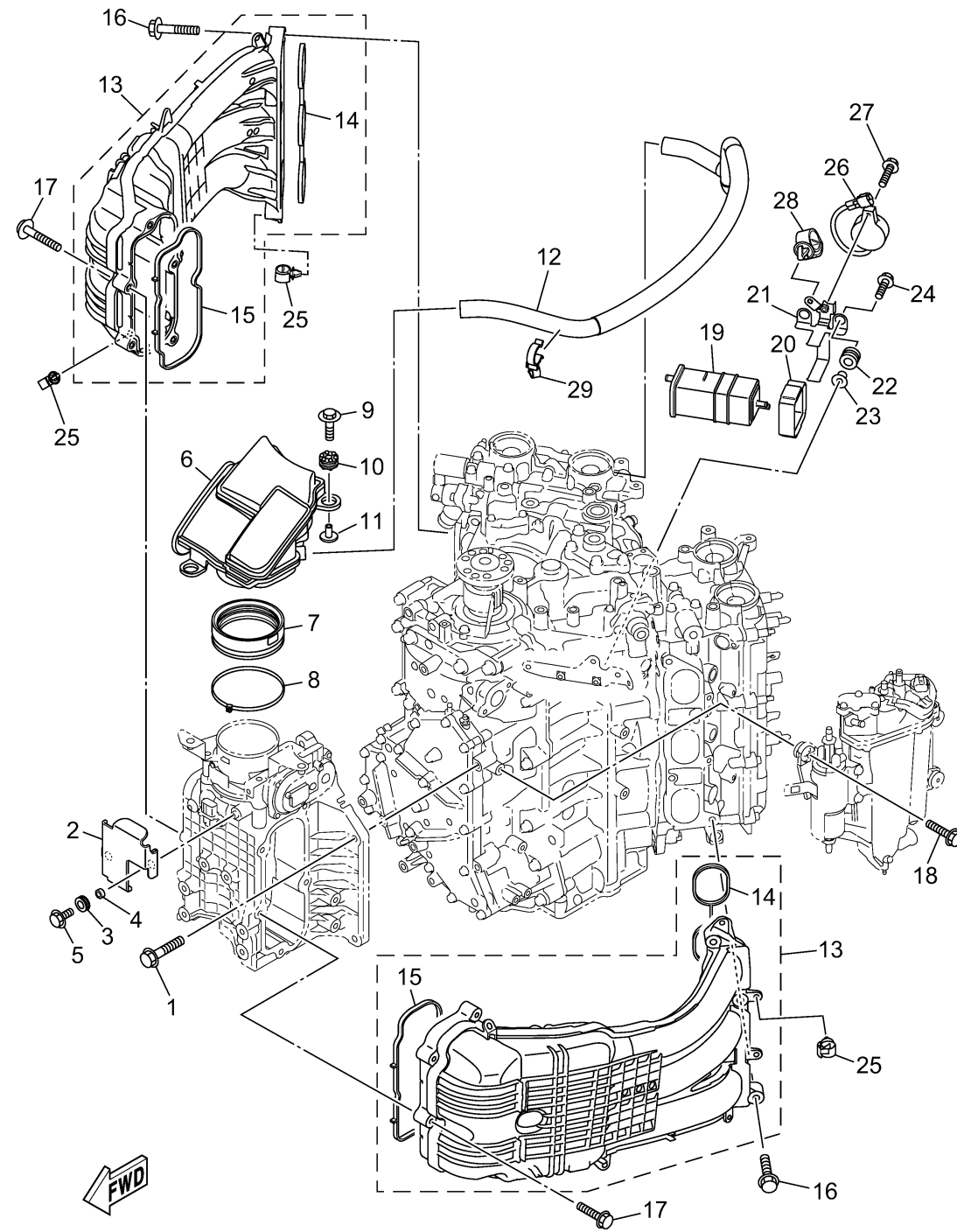


INTAKE 1

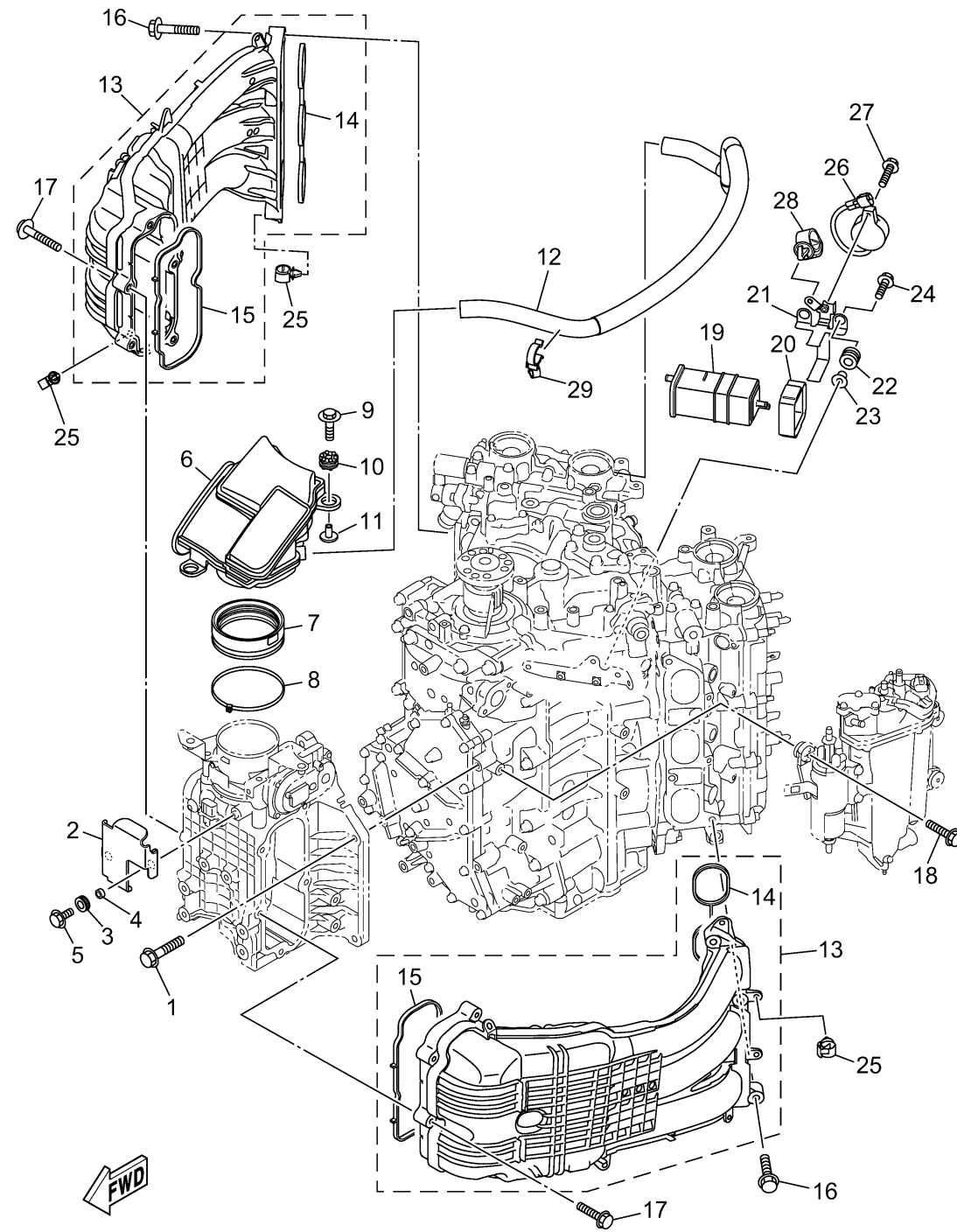


| Ref No. | Part Number | Description | Qty | Remarks |
|---------|-----------------|--------------------------|-----|---------|
| 1 | 90105-08M87-00 | BOLT, FLANGE | 4 | |
| 2 | 6ML-13881-00-00 | COVER 1 | 1 | |
| 3 | 90480-13004-00 | ..GROMMET | 2 | |
| 4 | 90387-07054-00 | ..COLLAR | 2 | |
| 5 | 95D95-06016-00 | BOLT, FLANGE DEEP RECESS | 2 | |
| 6 | 6ML-14440-00-00 | SILENCER ASSY, INTAKE | 1 | |
| 7 | 6AW-1441J-01-00 | PIPE, SILENCER | 1 | |
| 8 | 90464-99004-00 | CLAMP | 1 | |
| 9 | 90119-06328-00 | BOLT, WITH WASHER | 2 | |
| 10 | 68F-85516-01-00 | SPACER | 2 | |
| 11 | 90387-06176-00 | COLLAR | 2 | |
| 12 | 6ML-15373-00-00 | PIPE, BREATHER | 1 | |
| 13 | 6ML-13641-00-00 | MANIFOLD, INTAKE 1 | 2 | |
| 14 | 6CB-13645-00-00 | ..GASKET, MANIFOLD 1 | 1 | |
| 15 | 6ML-13646-00-00 | ..GASKET, MANIFOLD 2 | 1 | |
| 16 | 90119-08020-00 | BOLT, WITH WASHER | 8 | |
| 17 | 90119-06MA6-00 | BOLT, WITH WASHER | 10 | |
| 18 | 90119-06299-00 | BOLT, WITH WASHER | 4 | |
| 19 | 69J-24170-00-00 | CANISTER ASSY | 1 | |
| 20 | 6FP-2419E-01-00 | COVER, CANISTER | 1 | |

CONTINUED ON NEXT FRAME >

INTAKE 1

| Ref No. | Part Number | Description | Qty | Remarks |
|---------|-----------------|-------------------|-----|---------|
| 21 | 6KA-2134X-00-00 | BRACKET, CANISTER | 1 | |
| 22 | 90480-10M23-00 | GROMMET | 2 | |
| 23 | 90387-06289-00 | COLLAR | 2 | |
| 24 | 90119-06309-00 | BOLT, WITH WASHER | 2 | |
| 25 | 90464-13249-00 | CLAMP | 7 | |
| 26 | 6KA-83383-01-00 | BUZZER | 1 | |
| 27 | 90119-05M04-00 | BOLT, WITH WASHER | 1 | |
| 28 | 90464-13249-00 | CLAMP | 1 | |
| 29 | 90464-23005-00 | CLAMP | 1 | |



6ML1100-Y090