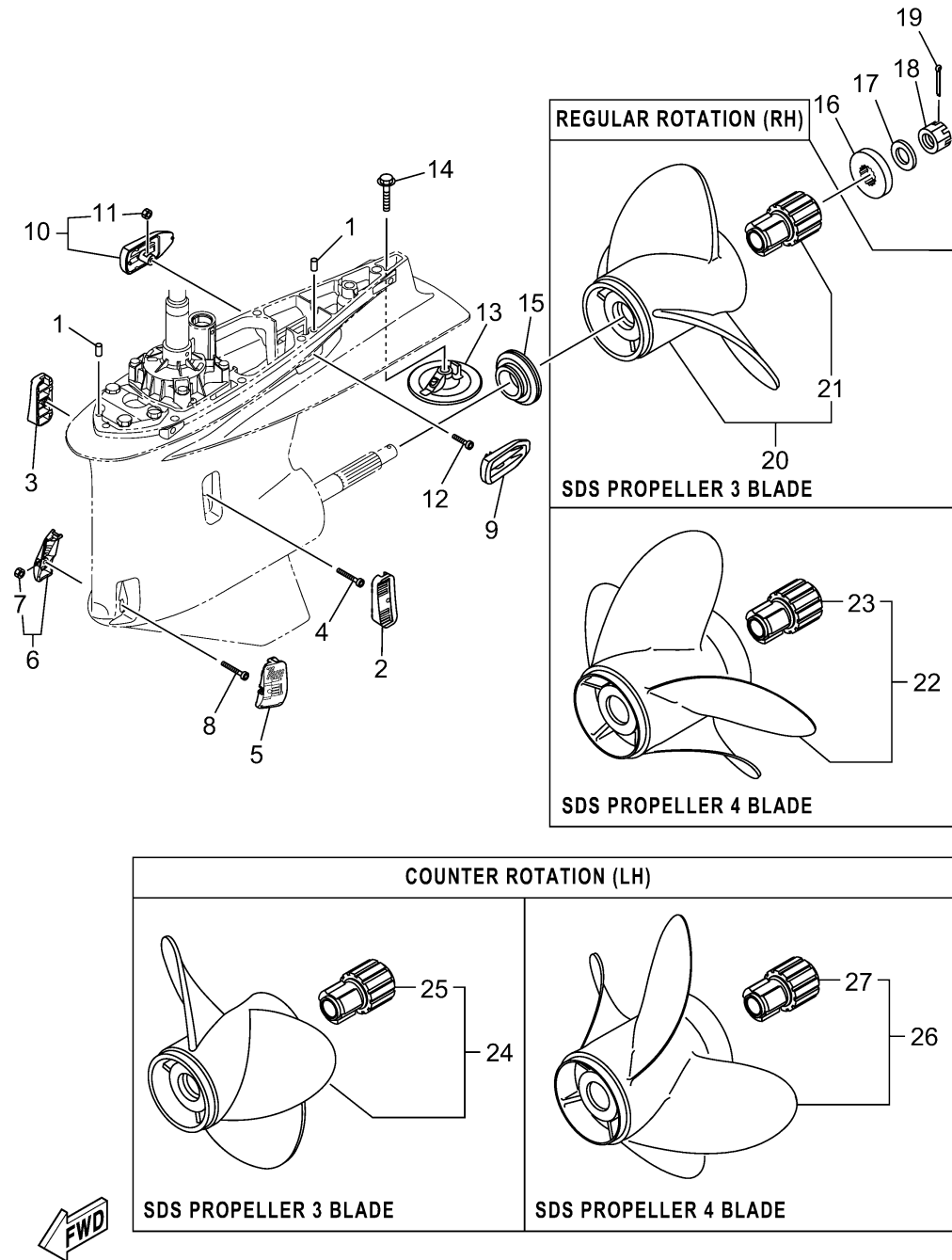


OPTIONAL PARTS 5

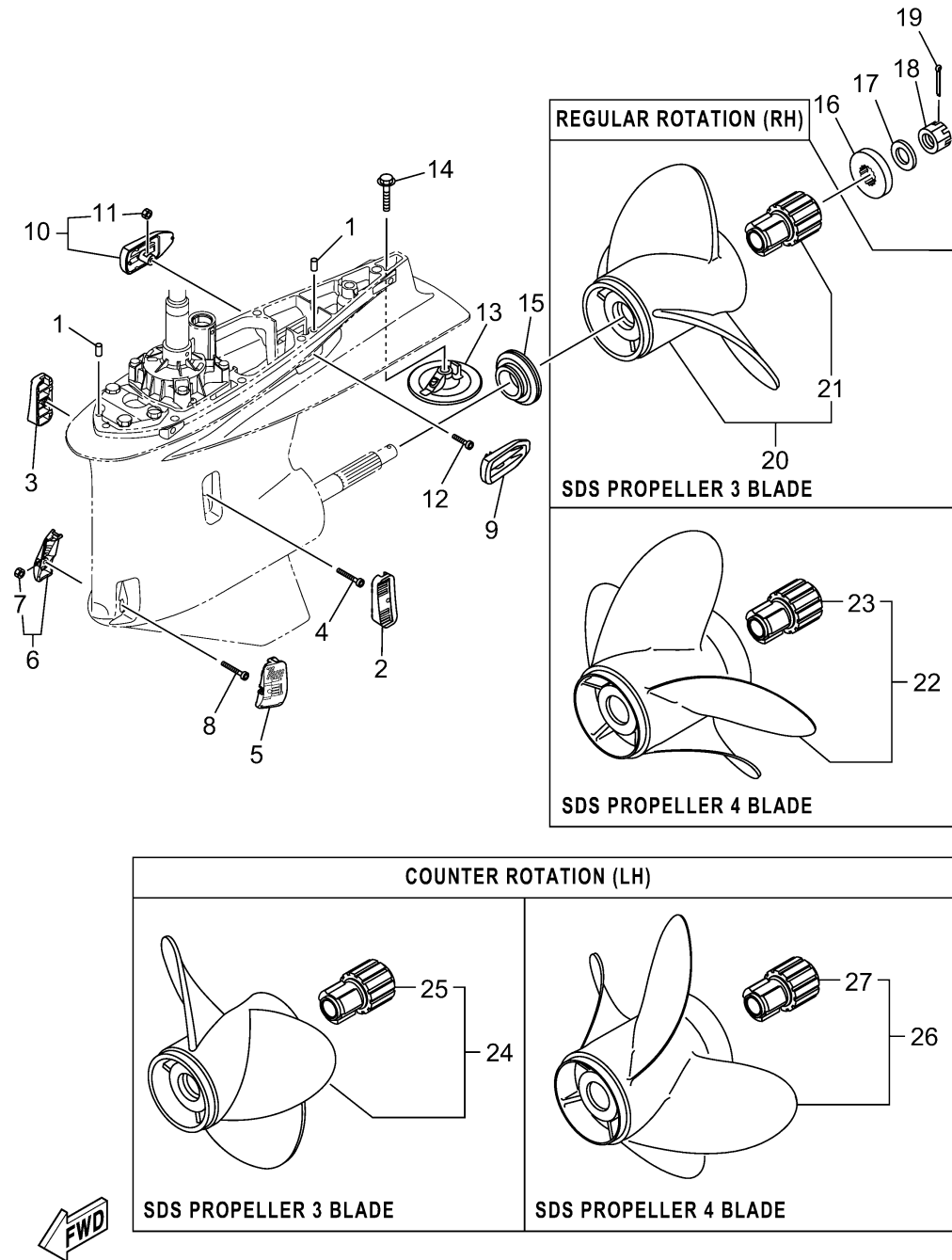


6ML1100-Y431

Ref No.	Part Number	Description	Qty	Remarks
1	93608-16M16-00	PIN, DOWEL	2	
2	6KA-45214-00-00	COVER, WATER INLET 1	1	
3	6KA-45215-00-00	COVER, WATER INLET 2	1	
4	90110-05039-00	BOLT, HEXAGON SOCKET HEAD	1	
5	6CE-45224-00-00	COVER, WATER INLET 3	1	
6	6CE-45225-00-00	COVER, WATER INLET 4	1	
7	90185-05002-00	..NUT, NYLON	1	
8	90110-05039-00	BOLT, HEXAGON SOCKET HEAD	1	
9	6KA-45254-00-00	COVER, OUTLET 1	1	
10	6KA-45255-00-00	COVER, OUTLET 2	1	
11	90185-05002-00	..NUT, NYLON	1	
12	91380-05020-00	BOLT	1	
13	6CE-45373-00-00	ANODE	1	
14	90105-10M00-00	BOLT, FLANGE	1	
15	69J-45987-00-00	SPACER 1	1	
16	688-45997-01-00	SPACER 2	1	
17	92990-18200-00	WASHER	1	
18	90171-18M04-00	NUT, CASTLE	1	
19	91490-40030-00	PIN. COTTER	1	
20	6CE-45938-20-00	PROPELLER (3X15-1/2"X16"-T)	1	UR RH SDS 3 BLADE

CONTINUED ON NEXT FRAME >

OPTIONAL PARTS 5

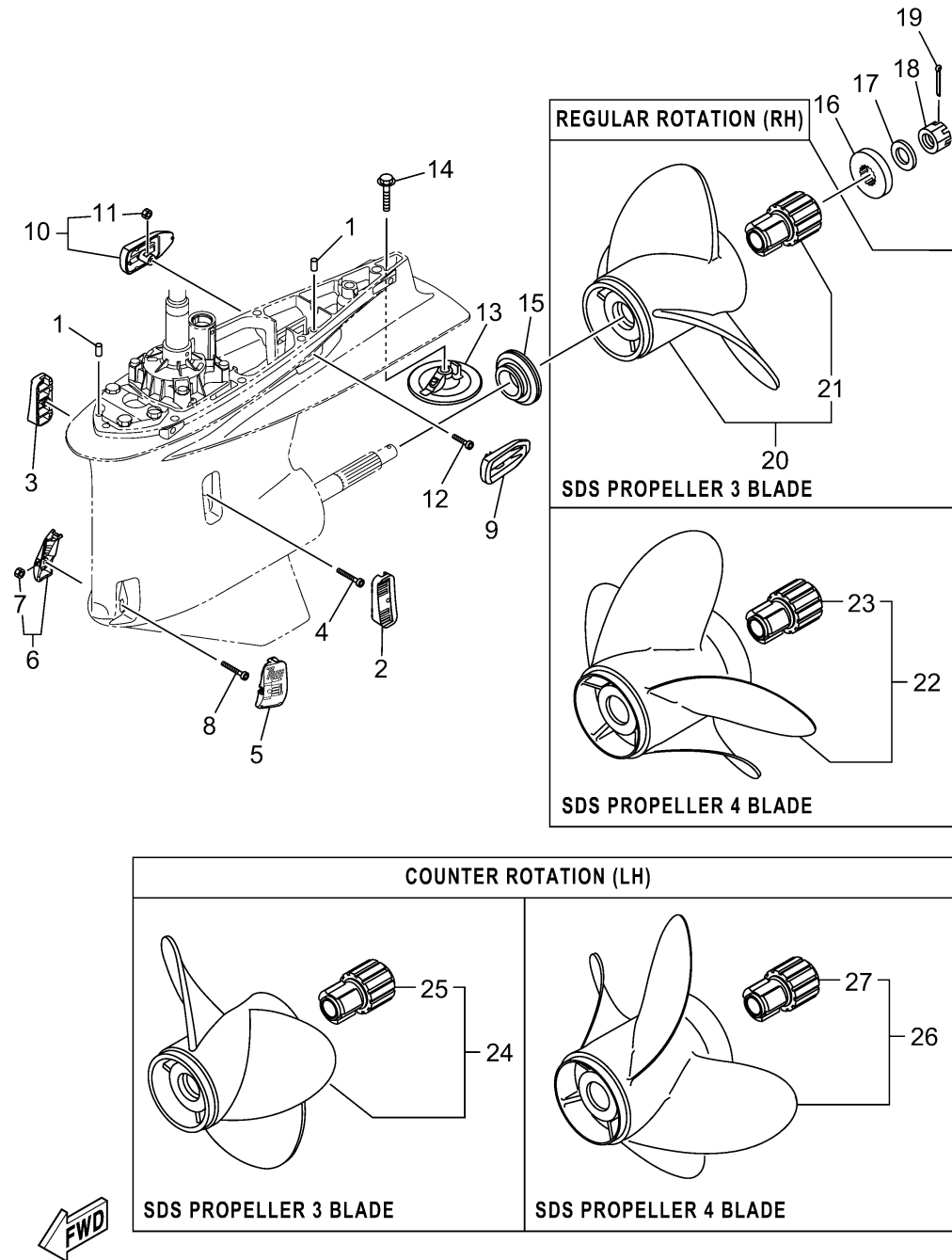


6ML1100-Y431

Ref No.	Part Number	Description	Qty	Remarks
20	6CE-45934-20-00	PROPELLER (3X15-1/4"X18"-T)	1	UR RH SDS 3 BLADE
20	6CE-45932-20-00	PROPELLER (3X15"X20"-T)	1	UR RH SDS 3 BLADE
20	6CE-45936-20-00	PROPELLER (3X14-3/4"X22"-T)	1	UR RH SDS 3 BLADE
20	6CE-45930-20-00	PROPELLER (3X15-3/4"X13"-T)	1	UR RH SDS 3 BLADE
20	6CE-45976-20-00	PROPELLER (3X15-3/4"X15"-T)	1	UR RH SDS 3 BLADE
20	6CE-45978-20-00	PROPELLER (3X15-1/2"X17"-T)	1	UR RH SDS 3 BLADE
20	6CE-45970-20-00	PROPELLER (3X15-1/4"X19"-T)	1	UR RH SDS 3 BLADE
20	6CE-45972-20-00	PROPELLER (3X15"X21"-T)	1	UR RH SDS 3 BLADE
20	6CE-45974-20-00	PROPELLER (3X14-3/4"X23"-T)	1	UR RH SDS 3 BLADE
20	6CE-45D70-20-00	PROPELLER (3X15-3/4"X14"-T)	1	UR RH SDS 3 BLADE
20	6CE-45D72-20-00	PROPELLER (3X14-3/4"X24"-T)	1	UR RH SDS 3 BLADE
20	6CE-45D74-20-00	PROPELLER (3X14-3/4"X25"-T)	1	UR RH SDS 3 BLADE
20	6KA-45970-00-00	PROPELLER (3X15-1/4"X18"-T)	1	UR RH SDS 3 BLADE
20	6KA-45972-00-00	PROPELLER (3X15-1/4"X19"-T)	1	UR RH SDS 3 BLADE
20	6KA-45974-00-00	PROPELLER (3X15"X20"-T)	1	UR RH SDS 3 BLADE
20	6KA-45976-00-00	PROPELLER (3X15"X21"-T)	1	UR RH SDS 3 BLADE
21	6CE-45C81-10-00	. .DAMPER RUBBER, PROPELLER 1	1	
22	6CE-45B70-20-00	PROPELLER (4X15"X21"-T)	1	UR RH SDS 4 BLADE
22	6CE-45B72-20-00	PROPELLER (4X15"X22"-T)	1	UR RH SDS 4 BLADE
22	6CE-45B74-20-00	PROPELLER (4X15"X23"-T)	1	UR RH SDS 4 BLADE

CONTINUED ON NEXT FRAME >

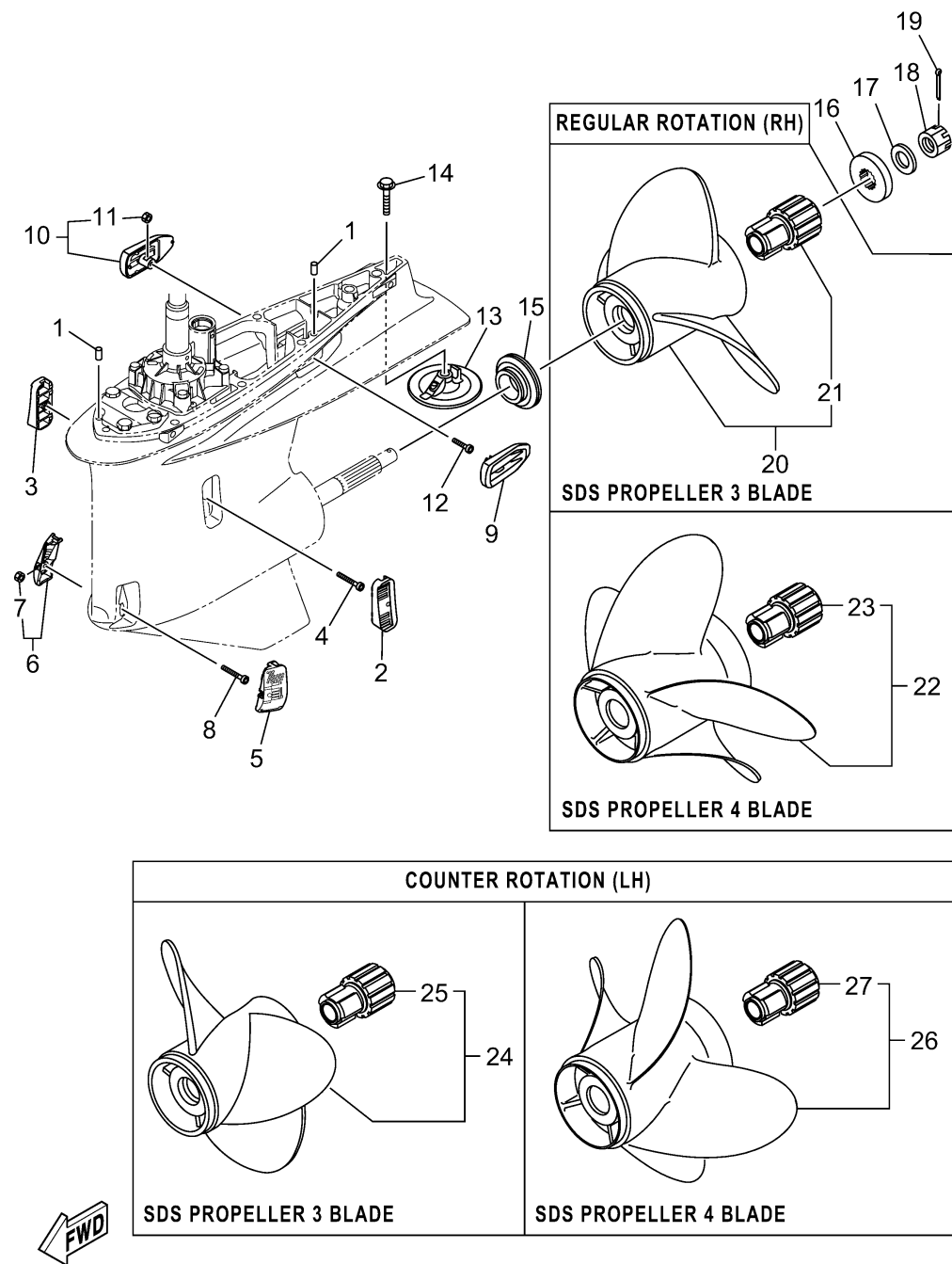
OPTIONAL PARTS 5



6ML1100-Y431

Ref No.	Part Number	Description	Qty	Remarks
23	6CE-45C81-10-00	. .DAMPER RUBBER, PROPELLER 1	1	
24	6CF-45934-20-00	PROPELLER (3X15-1/4"X18"-TL)	1	UR LH SDS 3 BLADE
24	6CF-45932-20-00	PROPELLER (3X15"X20"-TL)	1	UR LH SDS 3 BLADE
24	6CF-45936-20-00	PROPELLER (3X14-3/4"X22"-TL)	1	UR LH SDS 3 BLADE
24	6CF-45930-20-00	PROPELLER (3X15-3/4"X13"-TL)	1	UR LH SDS 3 BLADE
24	6CF-45976-20-00	PROPELLER (3X15-3/4"X15"-TL)	1	UR LH SDS 3 BLADE
24	6CF-45978-20-00	PROPELLER (3X15-1/2"X17"-TL)	1	UR LH SDS 3 BLADE
24	6CF-45970-20-00	PROPELLER (3X15-1/4"X19"-TL)	1	UR LH SDS 3 BLADE
24	6CF-45972-20-00	PROPELLER (3X15"X21"-TL)	1	UR LH SDS 3 BLADE
24	6CF-45974-20-00	PROPELLER (3X14-3/4"X23"-TL)	1	UR LH SDS 3 BLADE
24	6KB-45970-00-00	PROPELLER (3X15-1/4"X18"-TL)	1	UR LH SDS 3 BLADE
24	6KB-45972-00-00	PROPELLER (3X15-1/4"X19"-TL)	1	UR LH SDS 3 BLADE
24	6KB-45974-00-00	PROPELLER (3X15"X20"-TL)	1	UR LH SDS 3 BLADE
24	6KB-45976-00-00	PROPELLER (3X15"X21"-TL)	1	UR LH SDS 3 BLADE
24	6CF-45D70-20-00	PROPELLER (3X15-3/4"X14"-TL)	1	UR LH SDS 3 BLADE
24	6CF-45938-20-00	PROPELLER (3X15-1/2"X16"-TL)	1	UR LH SDS 3 BLADE
24	6CF-45D72-20-00	PROPELLER (3X14-3/4"X24"-TL)	1	UR LH SDS 3 BLADE
24	6CF-45D74-20-00	PROPELLER (3X14-3/4"X25"-TL)	1	UR LH SDS 3 BLADE
25	6CE-45C81-10-00	. .DAMPER RUBBER, PROPELLER 1	1	
26	6CF-45B70-20-00	PROPELLER (4X15"X21"-TL)	1	UR LH SDS 4 BLADE

CONTINUED ON NEXT FRAME >



6ML1100-Y431

OPTIONAL PARTS 5

Ref No.	Part Number	Description	Qty	Remarks
26	6CF-45B72-20-00	PROPELLER (4X15"X22"-TL)	1	UR LH SDS 4 BLADE
26	6CF-45B74-20-00	PROPELLER (4X15"X23"-TL)	1	UR LH SDS 4 BLADE
27	6CE-45C81-10-00	. .DAMPER RUBBER, PROPELLER 1	1	