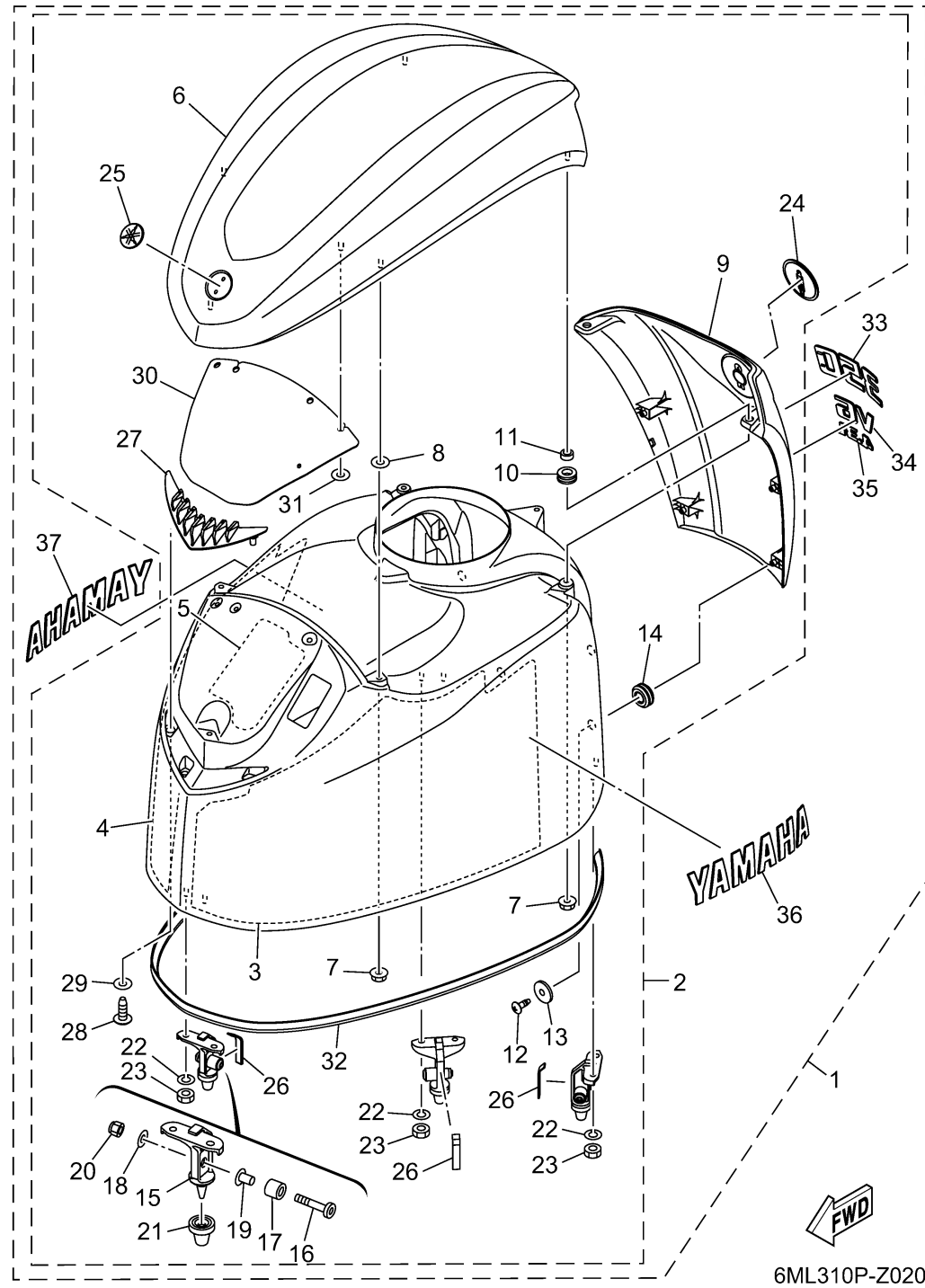


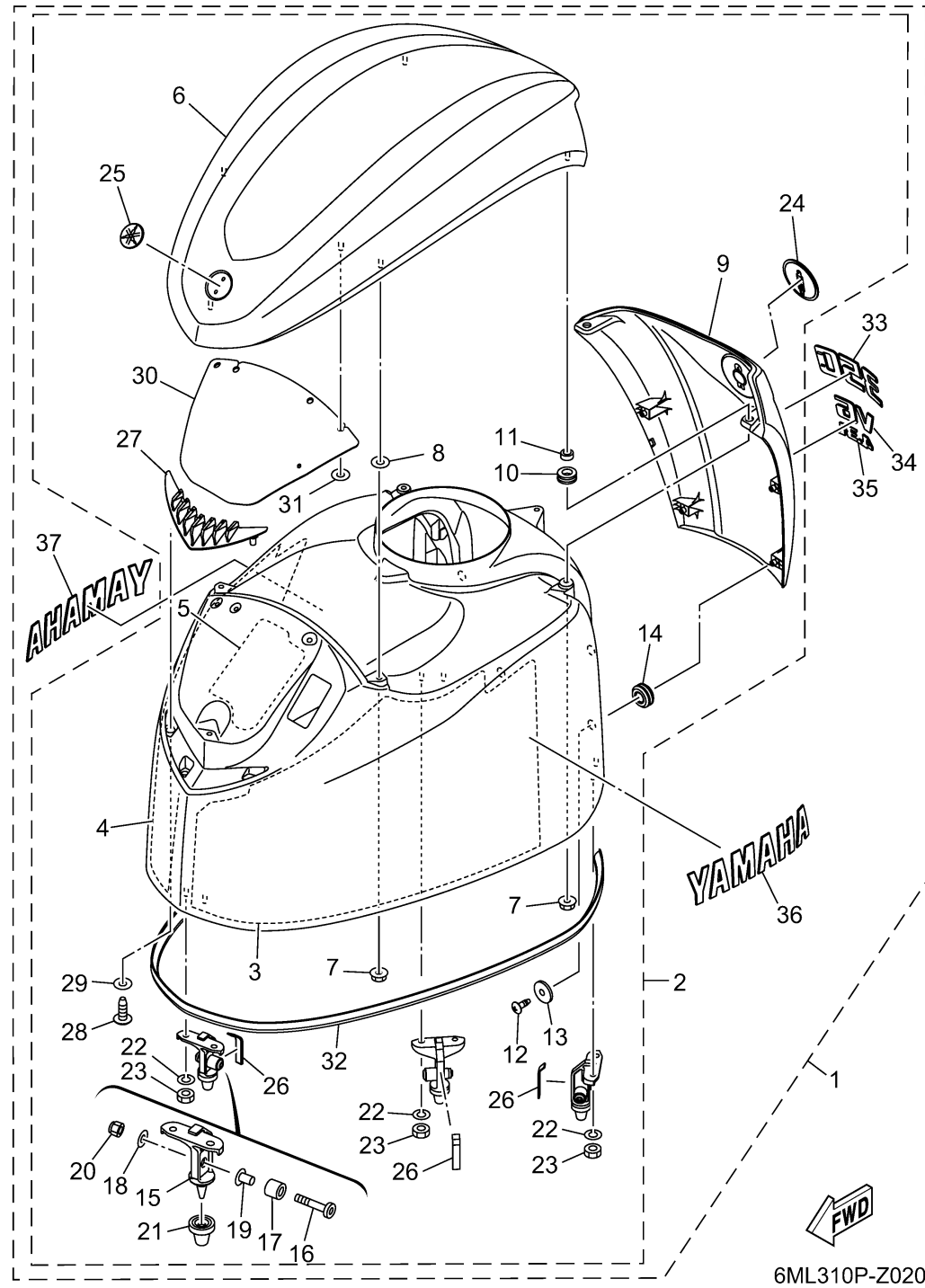
TOP COWLING



Ref No.	Part Number	Description	Qty	Remarks
1	6ML-42610-20-CJ	TOP COWLING ASSY	0	WARM WHITE
1	6ML-42610-20-8D	TOP COWLING ASSY	1	GRAY
1	6ML-42610-20-CE	TOP COWLING ASSY	0	WHITE
2	6ML-4261A-20-8D	..TOP COWLING W/O GRAPHICS	1	GRAY
2	6ML-4261A-20-CE	..TOP COWLING W/O GRAPHICS	0	WHITE
2	6ML-4261A-20-CJ	..TOP COWLING W/O GRAPHICS	0	WARM WHITE
3	6ML-426A1-00-00	...SHEET,SOUND 1	1	
4	6ML-426A2-00-00	...SHEET,SOUND 2	1	
5	6ML-426A3-00-00	...SHEET,SOUND 3	1	
6	6ML-42613-00-CJ	...MOLDING, AIR DUCT	0	WARM WHITE
6	6ML-42613-00-8D	...MOLDING, AIR DUCT	1	GRAY
6	6ML-42613-00-CE	...MOLDING, AIR DUCT	0	WHITE
7	90179-06M28-00	.. NUT	6	
8	6CB-42545-00-00	...WASHER, PLAIN	3	
9	6KA-42625-00-CJ	...PANEL, REAR	0	WARM WHITE
9	6KA-42625-00-8D	...PANEL, REAR	1	GRAY
9	6KA-42625-00-CE	...PANEL, REAR	0	WHITE
10	90480-13004-00	...GROMMET	2	
11	90387-07054-00	...COLLAR	2	
12	97780-50016-00	...SCREW, TAPPING	4	

CONTINUED ON NEXT FRAME >

TOP COWLING



Ref No.	Part Number	Description	Qty	Remarks
13	90201-053R1-00	...WASHER, PLATE	4	
14	90480-16009-00	...GROMMET	4	
15	6CB-42647-B0-00	...HOLDER, CLAMP BAND	3	
16	90111-08078-00	...BOLT, HEXAGON SOCKET BUTTON	3	
17	90387-10094-00	...COLLAR	3	
18	92990-08600-00	...WASHER, PLATE	3	
19	90387-08M45-00	...COLLAR	3	
20	95780-08300-00	.. NUT, FLANGE	3	
21	6AW-42663-01-00	...DAMPER 2	3	
22	92990-06100-00	.. WASHER, SPRING	6	
23	95380-06600-00	.. NUT, HEXAGON	6	
24	6KN-42697-00-00	...TUNING FORK MARK	1	
25	6LB-42697-00-00	...TUNING FORK MARK	1	
26	6CB-42134-01-00	...COVER	3	
27	6ML-42626-00-00	...LOUVER, 1	1	
28	97780-50016-00	...SCREW, TAPPING	3	
29	6CB-42545-00-00	...WASHER, PLAIN	3	
30	6ML-21266-00-00	...SHEET 1	1	
31	90183-05M06-00	...NUT, SPRING	1	
32	6CB-42628-00-00	...SEAL	1	

CONTINUED ON NEXT FRAME >

TOP COWLING

Ref No.	Part Number	Description	Qty	Remarks
33	6ML-42678-00-00	. .GRAPHIC, REAR	1	
34	6KA-4267A-00-00	. .GRAPHIC, REAR 2	1	
35	6ML-42682-00-00	. .MARK, COWLING	1	
36	6KA-2153A-00-00	. .EMBLEM, YAMAHA	1	
37	6KA-2153B-00-00	. .EMBLEM, YAMAHA	1	

