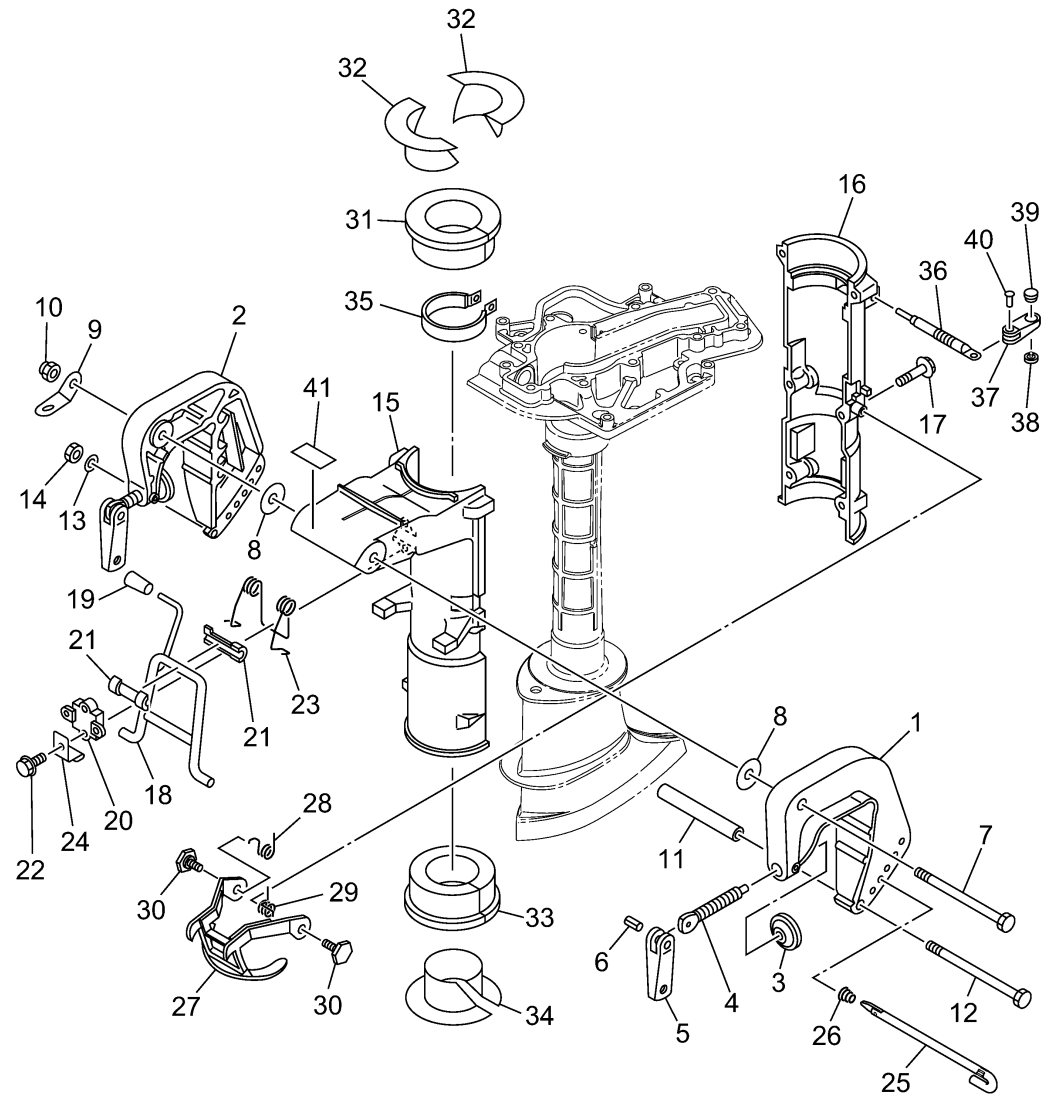


BRACKET

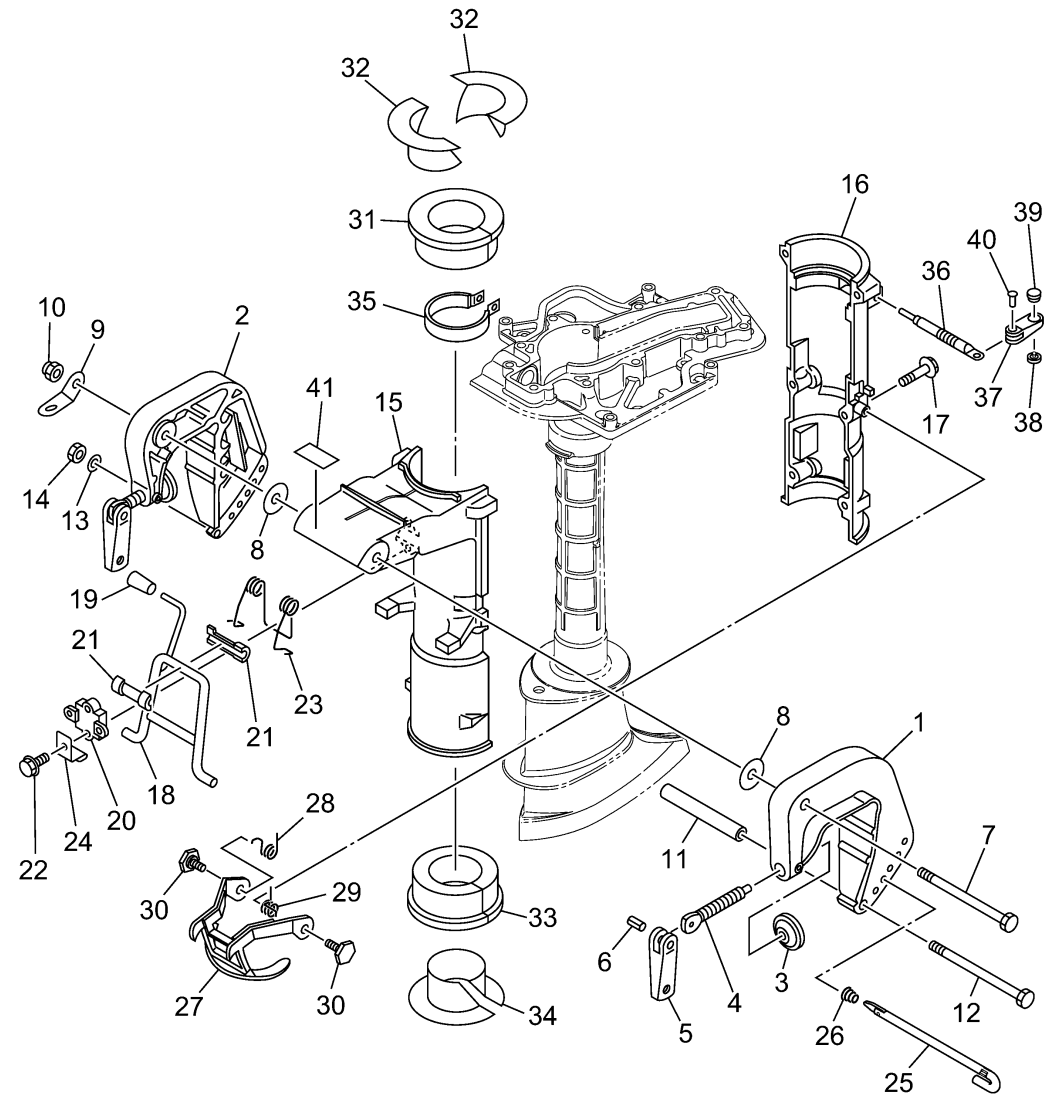
| Ref No. | Part Number | Description | Qty | Remarks |
|---------|-----------------|--------------------------|-----|---------|
| 1 | 6E0-43111-02-8D | BRACKET, CLAMP 1 | 1 | |
| 2 | 6E0-43112-01-8D | BRACKET, CLAMP 2 | 1 | |
| 3 | 648-43114-01-00 | PAD, TRANSOM CLAMP | 2 | |
| 4 | 6E0-43116-01-00 | SCREW, TRANSOM CLAMP | 2 | |
| 5 | 6E0-43118-01-00 | HANDLE, TRANSOM CLAMP | 2 | |
| 6 | 90243-04M01-00 | PIN | 2 | |
| 7 | 90101-08M07-00 | BOLT | 1 | |
| 8 | 90202-08M58-00 | WASHER, PLATE | 2 | |
| 9 | 6A1-43113-01-00 | PLATE, CLAMP BRACKET | 1 | |
| 10 | 90185-08057-00 | NUT, SELF-LOCKING | 1 | |
| 11 | 90387-06379-00 | COLLAR | 1 | |
| 12 | 90101-06335-00 | BOLT | 1 | |
| 13 | 92990-06600-00 | WASHER, PLATE | 1 | |
| 14 | 95380-06600-00 | .NUT, HEXAGON | 1 | |
| 15 | 6EE-43311-00-8D | BRACKET, SWIVEL 1 | 1 | |
| 16 | 6EE-43312-00-8D | BRACKET, SWIVEL 2 | 1 | |
| 17 | 95D95-06035-00 | BOLT, FLANGE DEEP RECESS | 6 | |
| 18 | 6EE-43181-00-8D | LEVER, TILT STOP 1 | 1 | |
| 19 | 6E0-43632-00-00 | KNOB, TILT | 1 | |
| 20 | 6E0-43313-00-8D | BRACKET, SWIVEL 3 | 1 | |

CONTINUED ON NEXT FRAME >



6ECC100-Z170

BRACKET



| Ref No. | Part Number | Description | Qty | Remarks |
|---------|-----------------|--------------------------|-----|---------|
| 21 | 620-43189-00-00 | BUSHING | 2 | |
| 22 | 95D95-06020-00 | BOLT, FLANGE DEEP RECESS | 2 | |
| 23 | 6BX-48561-00-00 | SPRING 1 | 1 | |
| 24 | 6EE-43319-00-00 | PLATE | 1 | |
| 25 | 6E0-43160-01-00 | TILT ROD ASSY | 1 | |
| 26 | 90502-08M05-00 | SPRING, CONICAL | 1 | |
| 27 | 6BX-43614-01-00 | PLATE, TILT LOCK | 1 | |
| 28 | 6BX-43188-00-00 | SPRING | 1 | |
| 29 | 6BX-43198-00-00 | SPRING 2 | 1 | |
| 30 | 90109-06M84-00 | BOLT | 2 | |
| 31 | 6EE-42537-00-00 | BUSHING, PIVOT SHAFT | 1 | |
| 32 | 6EE-42539-00-00 | BUSHING, PIVOT SHAFT | 2 | |
| 33 | 6EE-42538-00-00 | BUSHING, PIVOT SHAFT | 1 | |
| 34 | 6EE-42549-00-00 | BUSHING, PIVOT SHAFT | 1 | |
| 35 | 6E0-42528-04-00 | PLATE, FRICTION | 1 | |
| 36 | 6L5-42529-01-00 | SCREW, FRICTION PIECE | 1 | |
| 37 | 6L5-42561-00-00 | KNOB, STEERING LOCK | 1 | |
| 38 | 6L5-44196-00-00 | INDICATOR 3 | 1 | |
| 39 | 6L5-44197-00-00 | INDICATOR 4 | 1 | |
| 40 | 90266-04M05-00 | RIVET | 1 | |

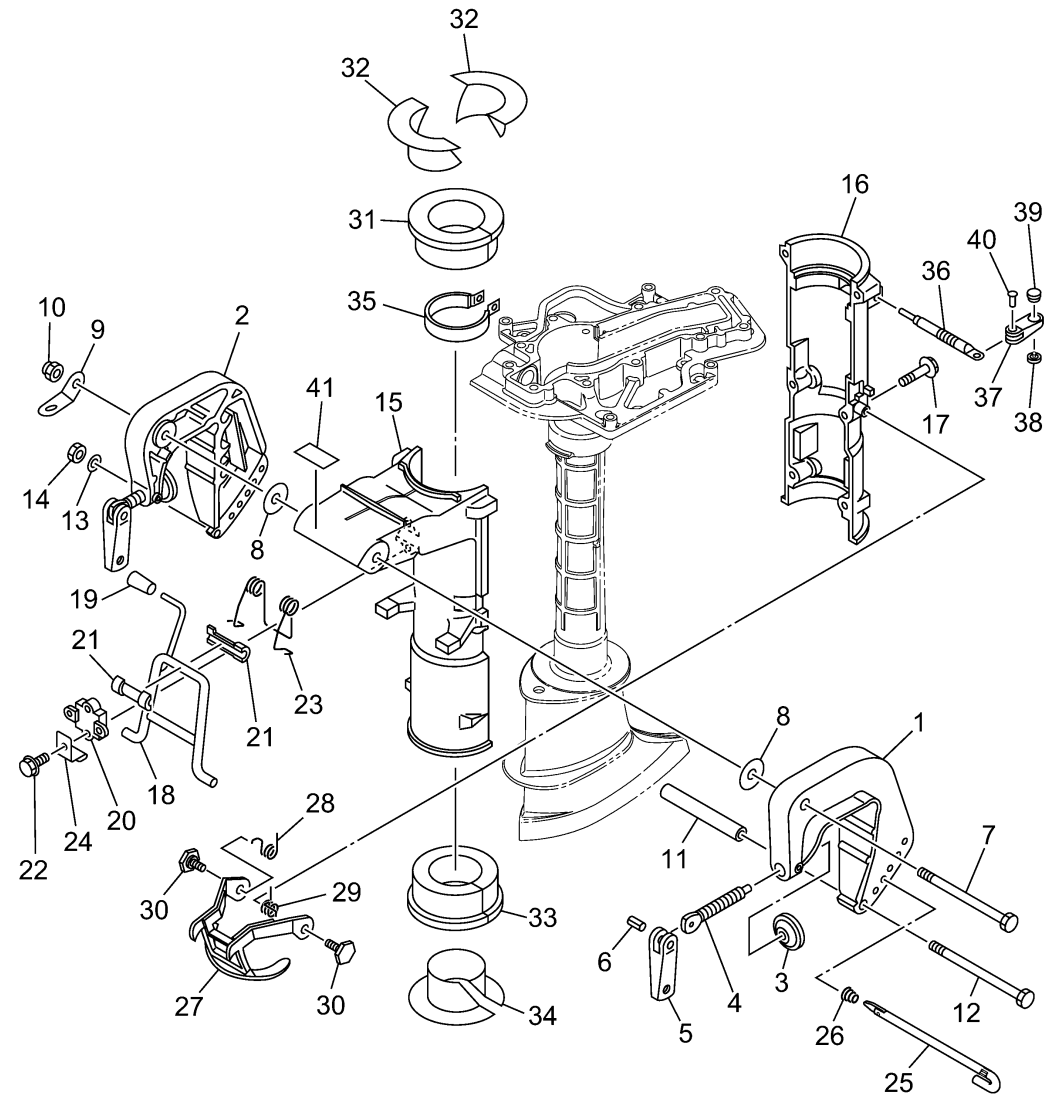
CONTINUED ON NEXT FRAME >



6ECC100-Z170

BRACKET

| Ref No. | Part Number | Description | Qty | Remarks |
|---------|-----------------|-------------------|-----|---------|
| 41 | 6EE-24591-00-00 | EMBLEM, FUEL COCK | 1 | |



6ECC100-Z170